

NOTE

XX TYPE NO MULLION

General Notes

- Elevations are shown from exterior unless otherwise noted
- Anchor/wall fastener - Location, spacing and quantity to be determined per design pressure requirements by structural engineer and/or certified test drawings

△	
△	
△	
△	
△	
○	TAEUN KIM Jess Jeong 2019. 00. 00.
REV.	DESCRIPTION DRAWN BY(1) DRAWN BY(2) DRAWN BY(5) DATE

PROJECT -

ITEM NO. -

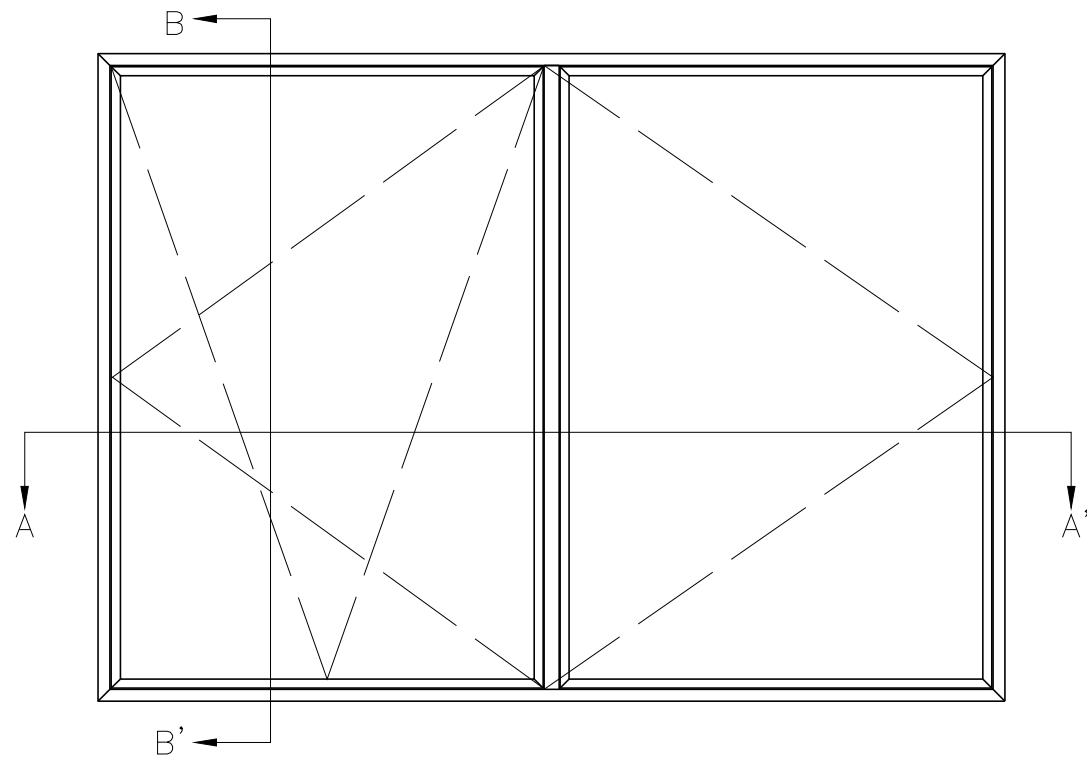
PRODUCT NAME
EWS95 TT

QTY
1

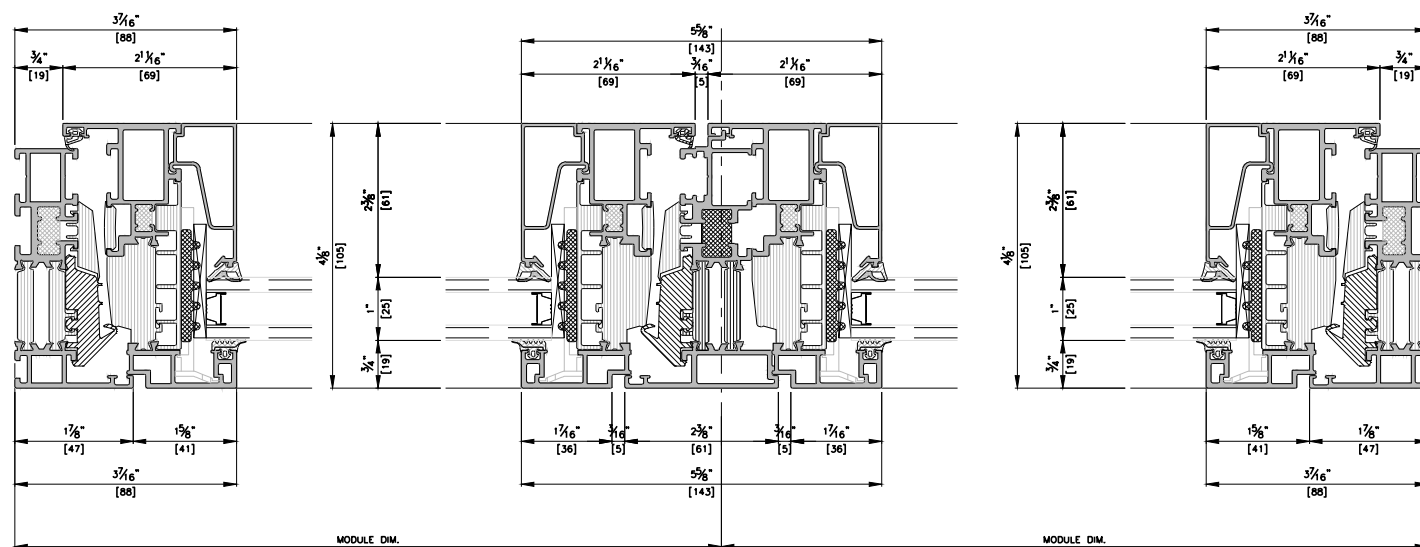
VIEW
EXTERIOR

SCALE
-

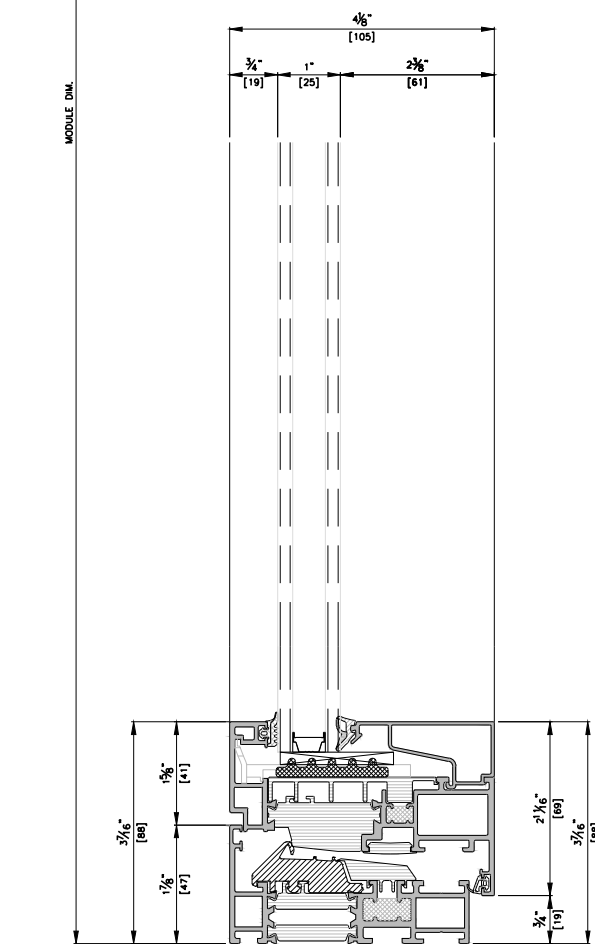
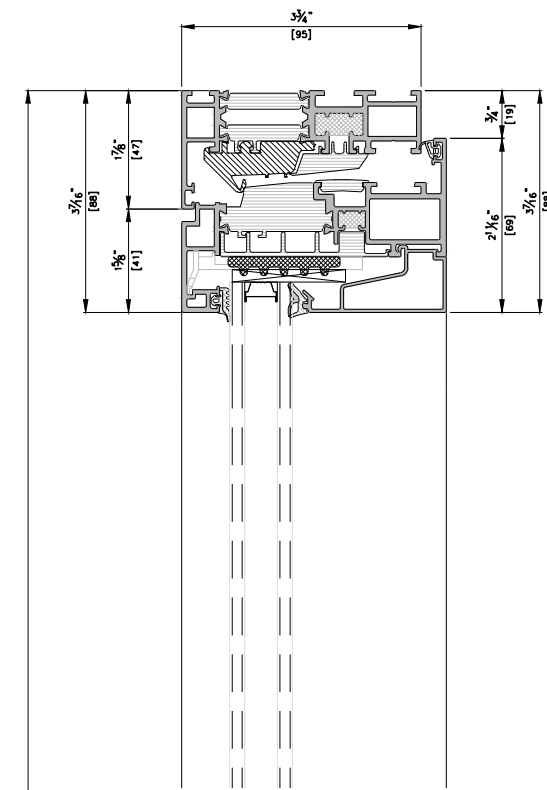
DRAWING NO. | ISSUE



1
ELEVATION
SCALE : 1/30



1
HORIZONTAL SECTION DETAIL A-A'
SCALE : 1/3



1
VERTICAL SECTION DETAIL B-B'
SCALE : 1/3