

NOTE

O TYPE
Wood-Arc Design
AL Frame

General Notes

- Elevations are shown from exterior unless otherwise noted
- Anchor/wall fastener - Location, spacing and quantity to be determined per design pressure requirements by structural engineer and/or certified test drawings

| | | | |
|------|---------------|-------------|-------------|
| △ | | | |
| △ | | | |
| △ | | | |
| △ | | | |
| ○ | TAEUN KIM | Jess Jeong | |
| | 2019. 00. 00. | | |
| | DESCRIPTION | | |
| REV. | DRAWN BY(1) | DRAWN BY(2) | DRAWN BY(3) |
| | | | DATE |

PROJECT -

ITEM NO. -

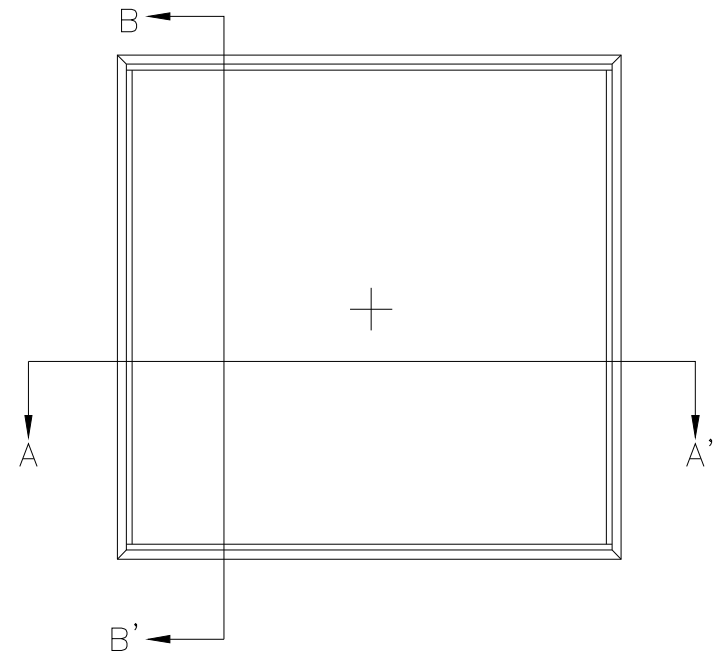
PRODUCT NAME
CSS225 LS

QTY
1

VIEW
EXTERIOR

SCALE
-

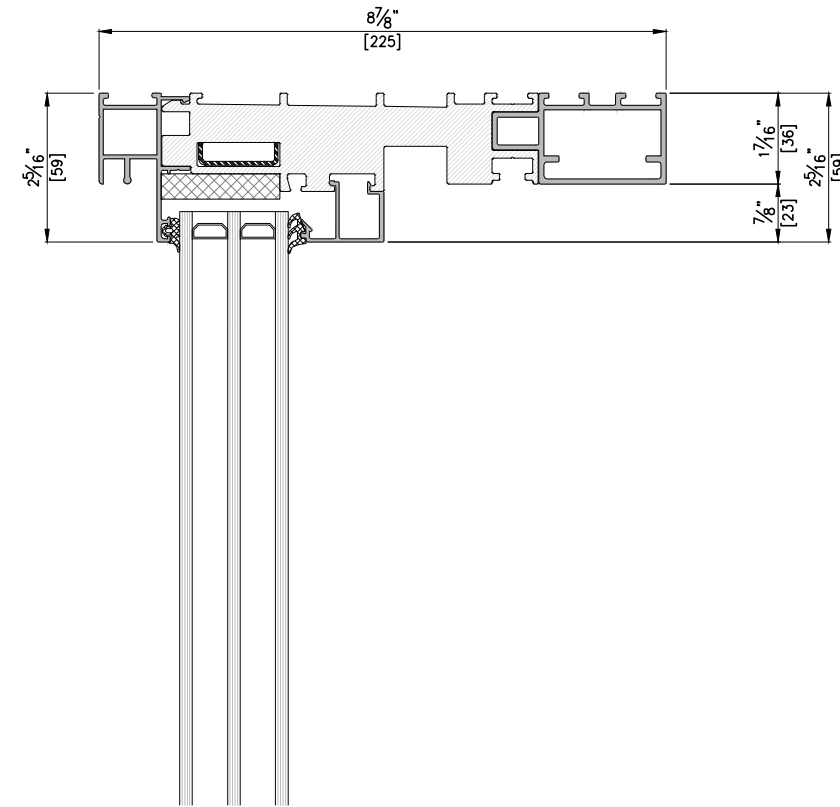
DRAWING NO. ISSUE



ELEVATION
SCALE : 1/30



HORIZONTAL SECTION DETAIL A-A'
SCALE : 1/3



VERTICAL SECTION DETAIL B-B'
SCALE : 1/3