

NOTE

O TYPE  
Wood-Step Design  
AL Frame

General Notes

- Elevations are shown from exterior unless otherwise noted
- Anchor/wall fastener  
- Location, spacing and quantity to be determined per design pressure requirements by structural engineer and/or certified test drawings

△			
△			
△			
△			
△			
△			
△			
○	TAEUN KIM	Jess Jeong	
	2019. 00. 00.		
	DESCRIPTION		
REV.	DRAWN BY(1)	DRAWN BY(2)	DRAWN BY(3)
	DATE		

PROJECT  
-

ITEM NO.  
-

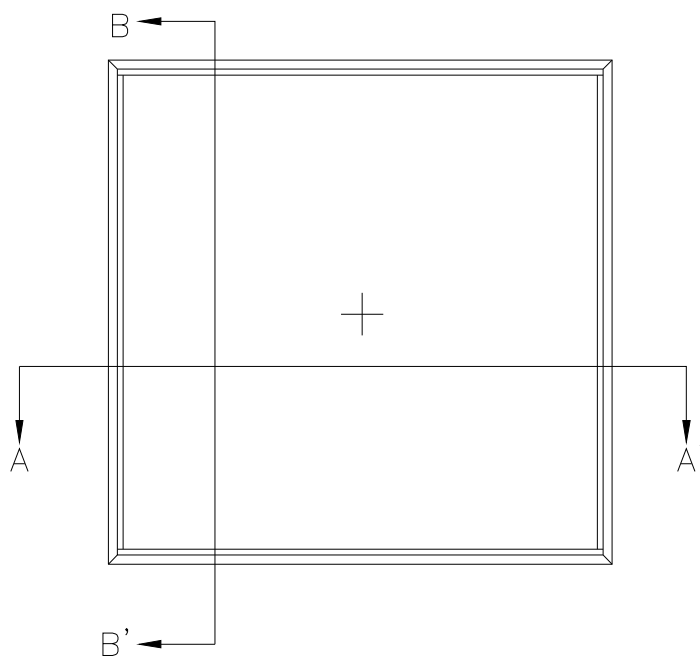
PRODUCT NAME  
CSS225 LS

QTY  
1

VIEW  
EXTERIOR

SCALE  
-

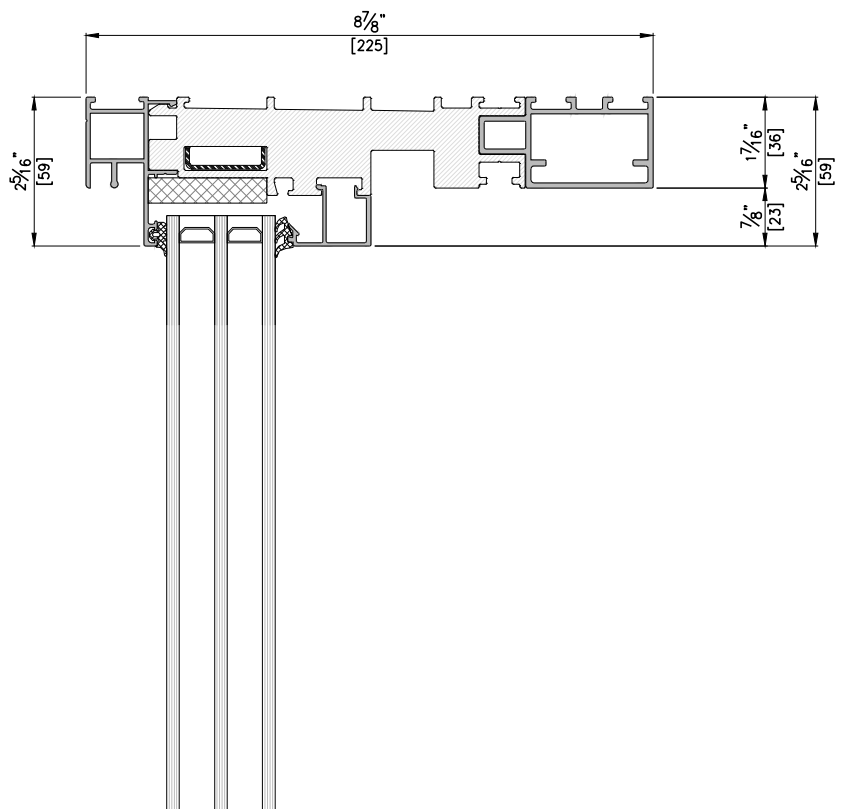
DRAWING NO.      ISSUE



**ELEVATION**  
SCALE : 1/30



**HORIZONTAL SECTION DETAIL A-A'**  
SCALE : 1/3



**VERTICAL SECTION DETAIL B-B'**  
SCALE : 1/3