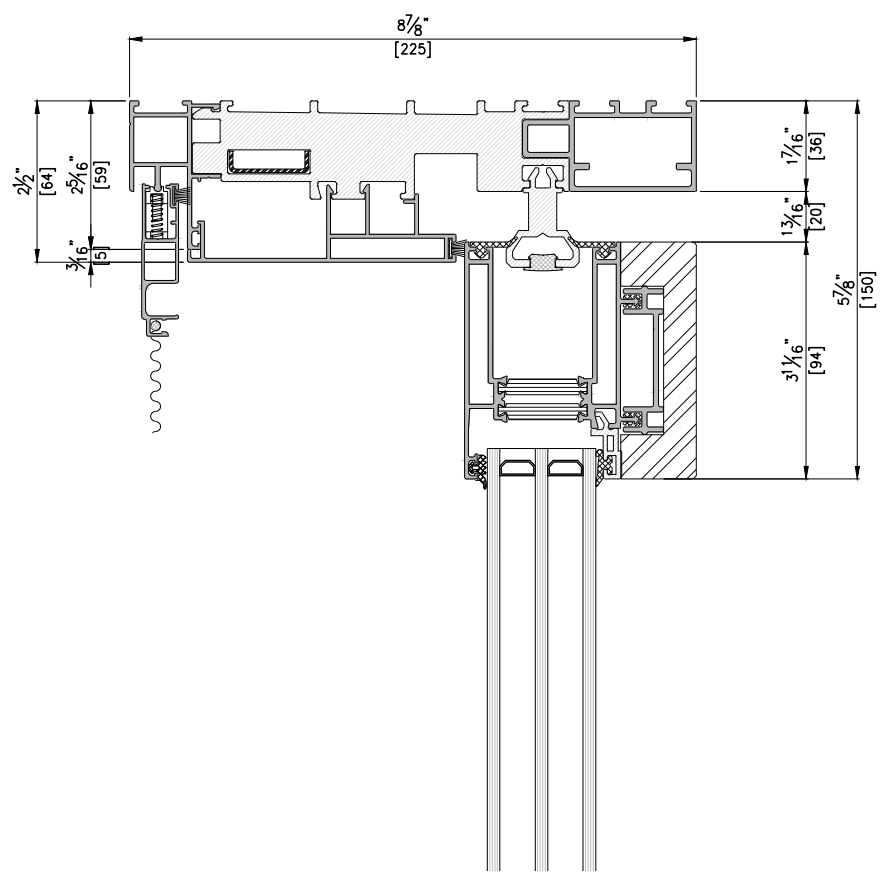
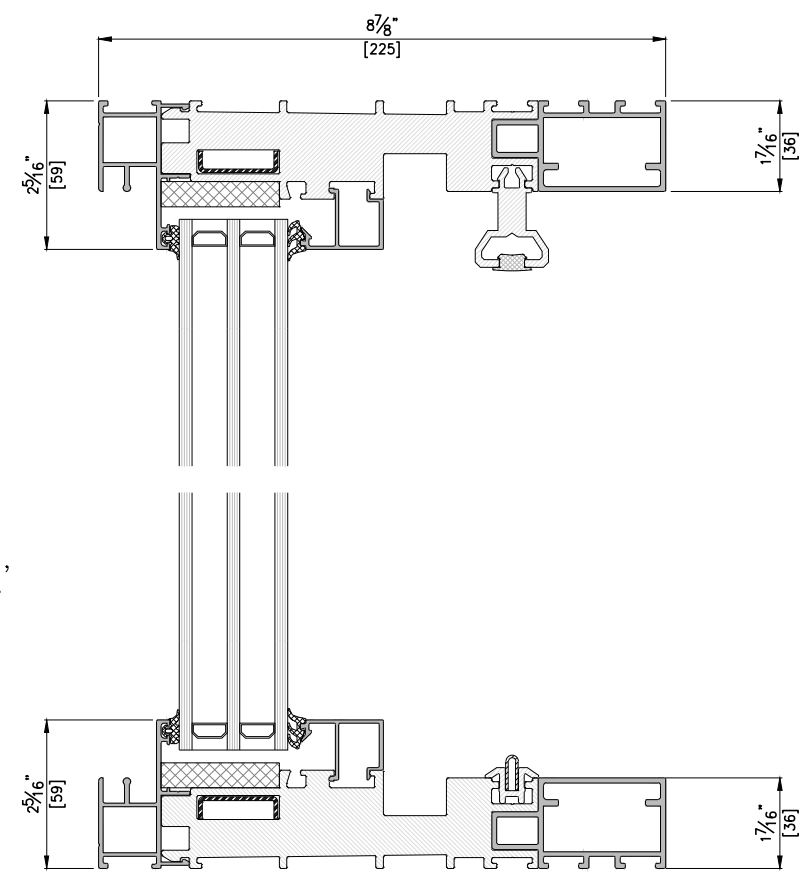


NOTE
XOO TYPE
Wood-Step Design
AL Frame

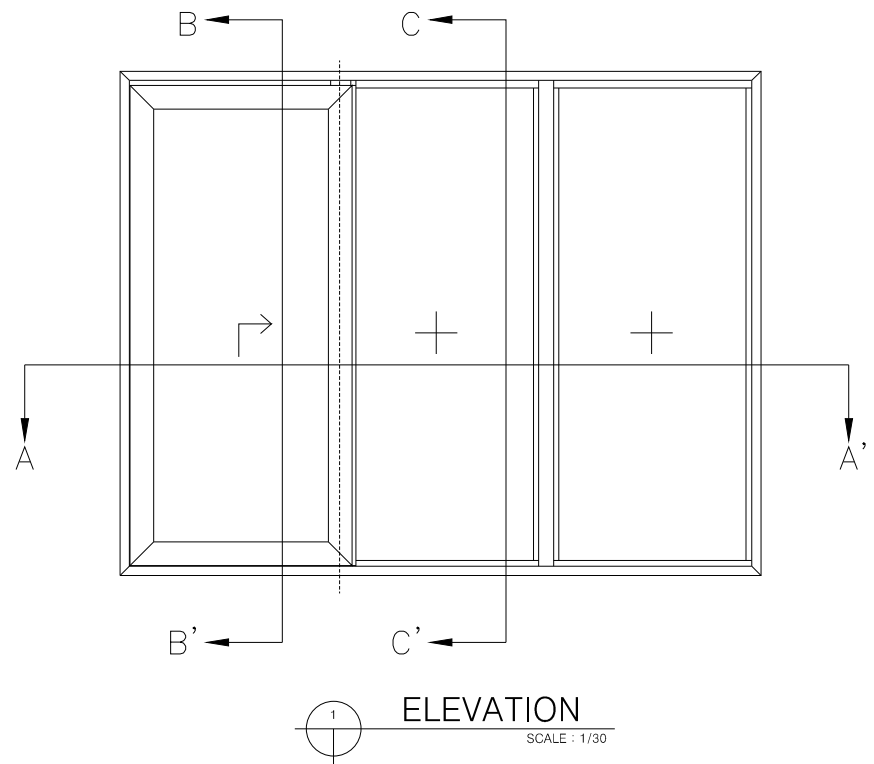
- General Notes
- Elevations are shown from exterior unless otherwise noted
 - Anchor/wall fastener - Location, spacing and quantity to be determined per design pressure requirements by structural engineer and/or certified test drawings

△	
△	
△	
△	
○	TAEUN KIM Jess Jeong 2019. 00. 00.
REV.	DESCRIPTION DRAWN BY(1) DRAWN BY(2) DRAWN BY(3) DATE
PROJECT	-
ITEM NO.	-
PRODUCT NAME	CSS225 LS
QTY	1
VIEW	EXTERIOR
SCALE	-
DRAWING NO.	ISSUE

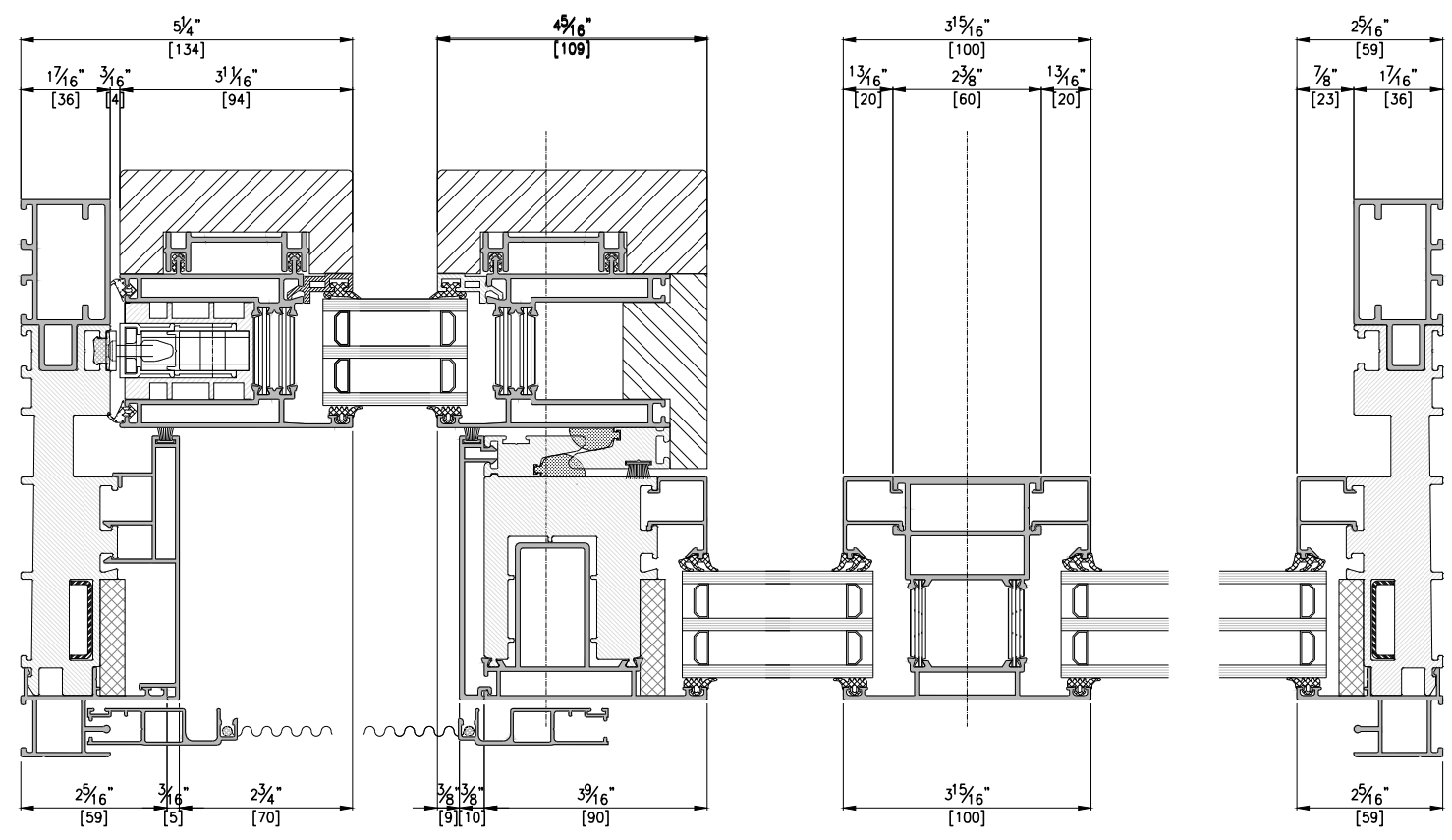


VERTICAL SECTION DETAIL B-B'
SCALE: 1/3

VERTICAL SECTION DETAIL B-B'
SCALE: 1/3



ELEVATION
SCALE: 1/30



HORIZONTAL SECTION DETAIL A-A'
SCALE: 1/3