

NOTE  
XOX TYPE  
Wood-Arc Design  
AL Frame

- General Notes
- Elevations are shown from exterior unless otherwise noted
  - Anchor/wall fastener - Location, spacing and quantity to be determined per design pressure requirements by structural engineer and/or certified test drawings

△	
△	
△	
△	

○	TAEUN KIM	Jess Jeong
REV.	DESCRIPTION	
	DRAWN BY(1)	DRAWN BY(2)
	DRAWN BY(5)	DATE

PROJECT -

ITEM NO. -

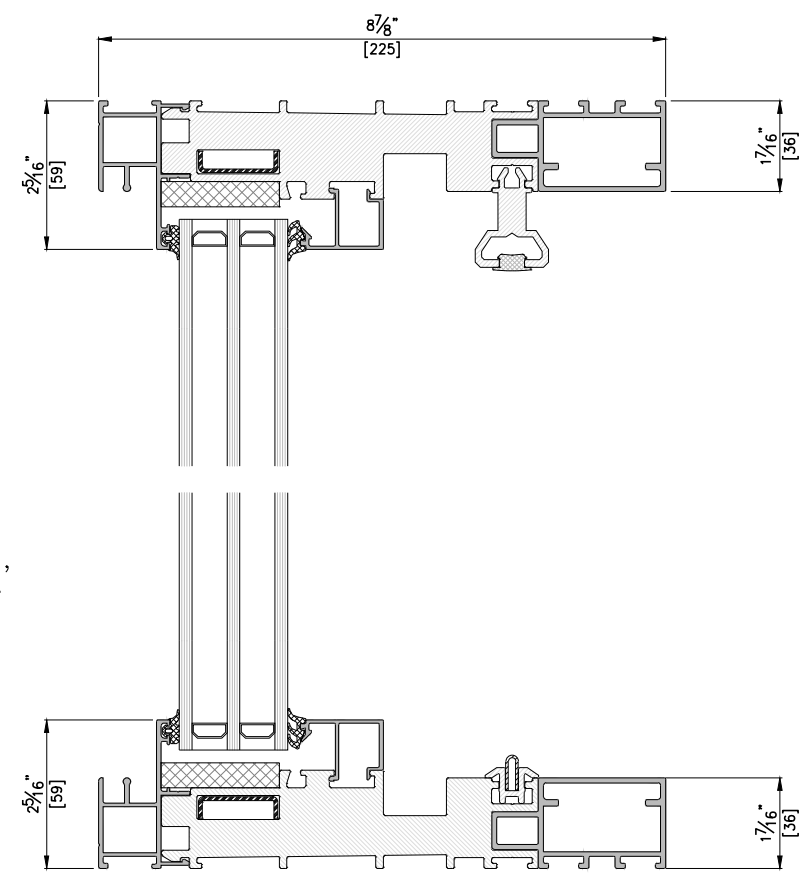
PRODUCT NAME  
CSS225 LS

QTY  
1

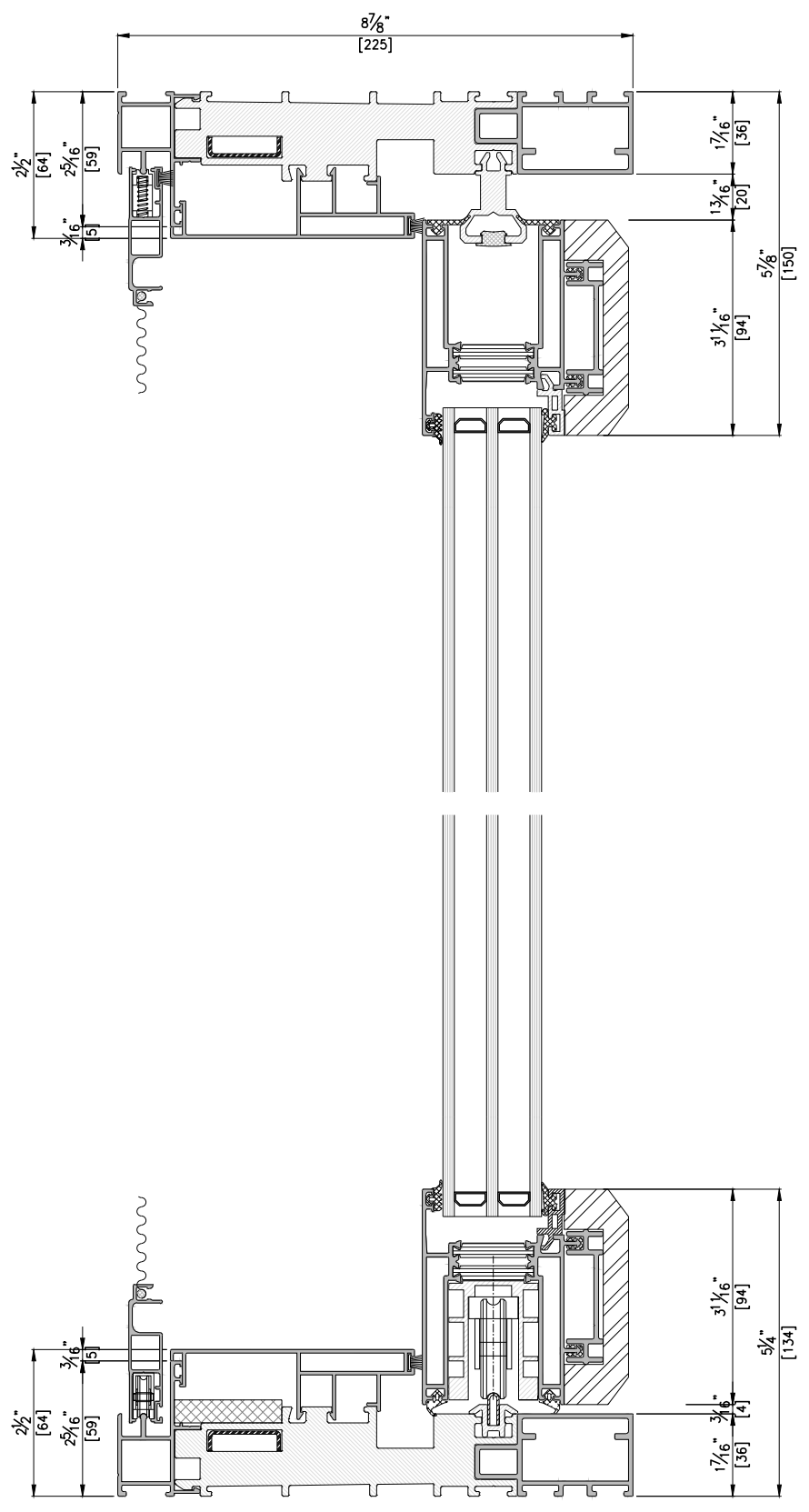
VIEW  
EXTERIOR

SCALE  
-

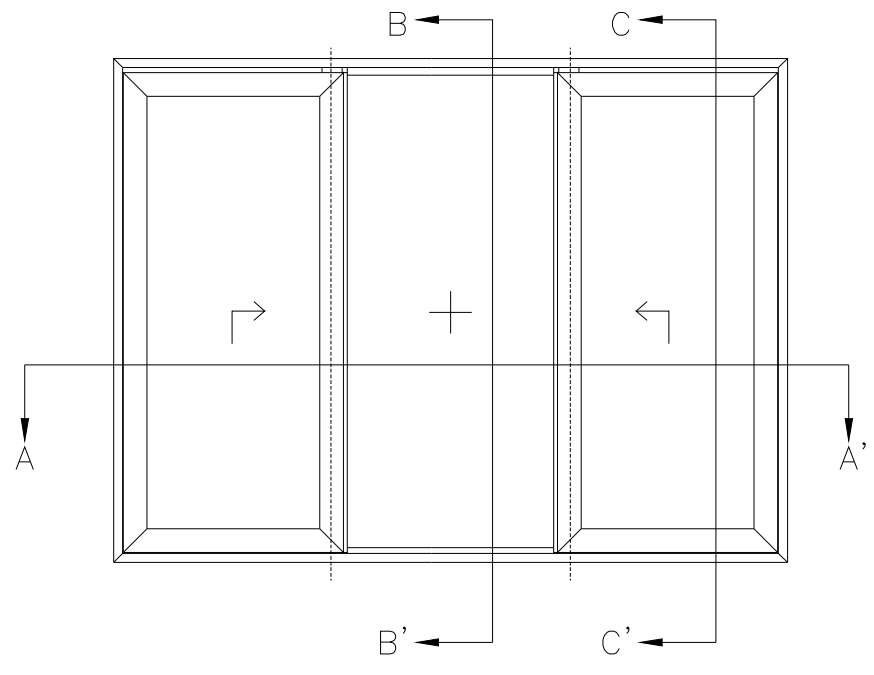
DRAWING NO. ISSUE



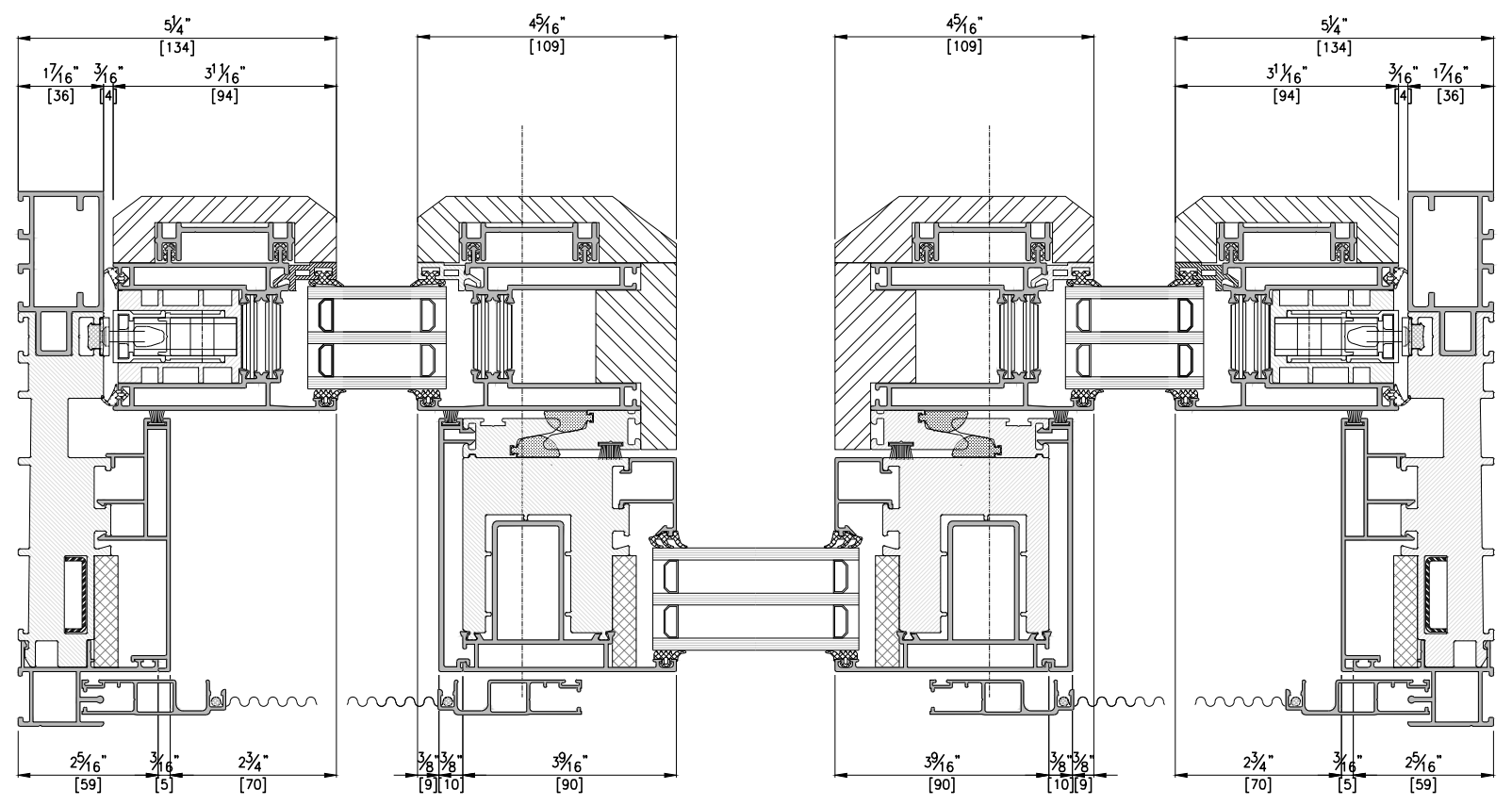
VERTICAL SECTION DETAIL B-B'  
SCALE: 1/3



VERTICAL SECTION DETAIL B-B'  
SCALE: 1/3



ELEVATION  
SCALE: 1/30



HORIZONTAL SECTION DETAIL A-A'  
SCALE: 1/3