

NOTE

XOX TYPE
Wood-Step Design
AL Frame

General Notes

- Elevations are shown from exterior unless otherwise noted
- Anchor/wall fastener - Location, spacing and quantity to be determined per design pressure requirements by structural engineer and/or certified test drawings

△	
△	
△	
△	

○	TAEUN KIM Jess Jeong
	2019. 00. 00.
REV.	DESCRIPTION
	DRAWN BY(1) DRAWN BY(2) DRAWN BY(3)
	DATE

PROJECT -

ITEM NO. -

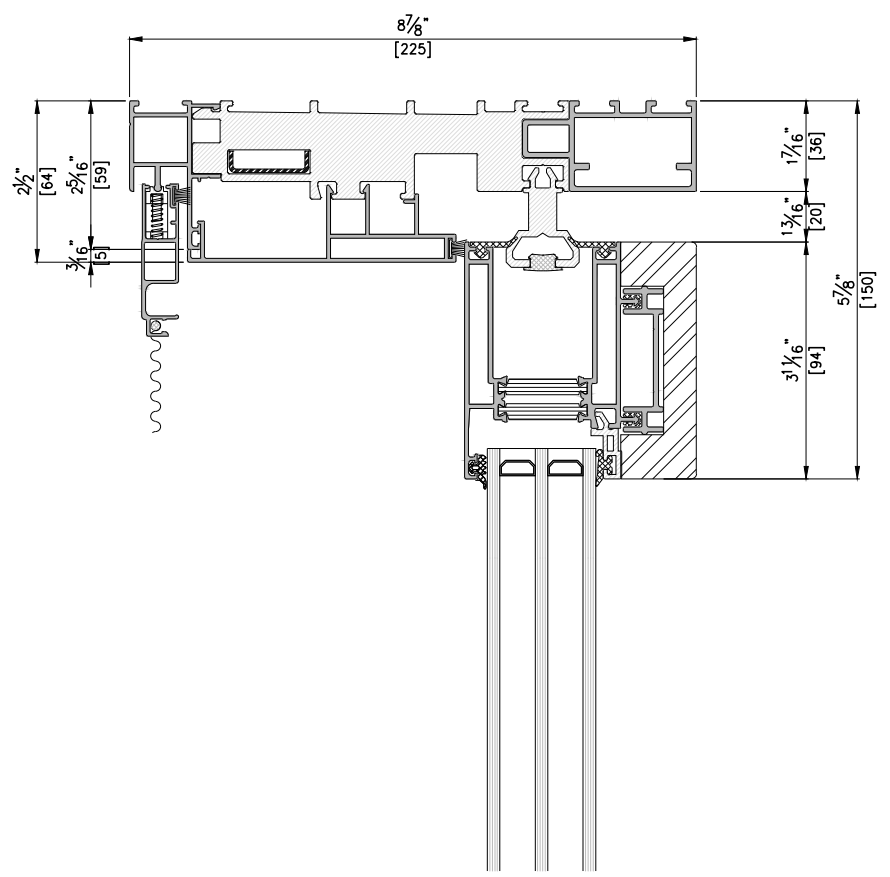
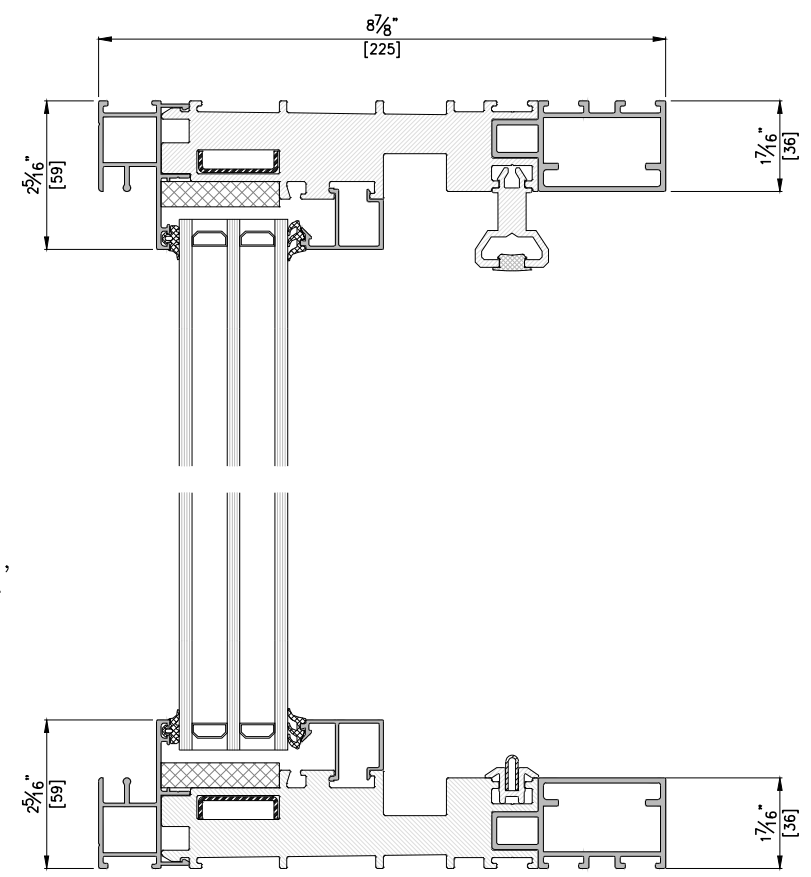
PRODUCT NAME
CSS225 LS

QTY
1

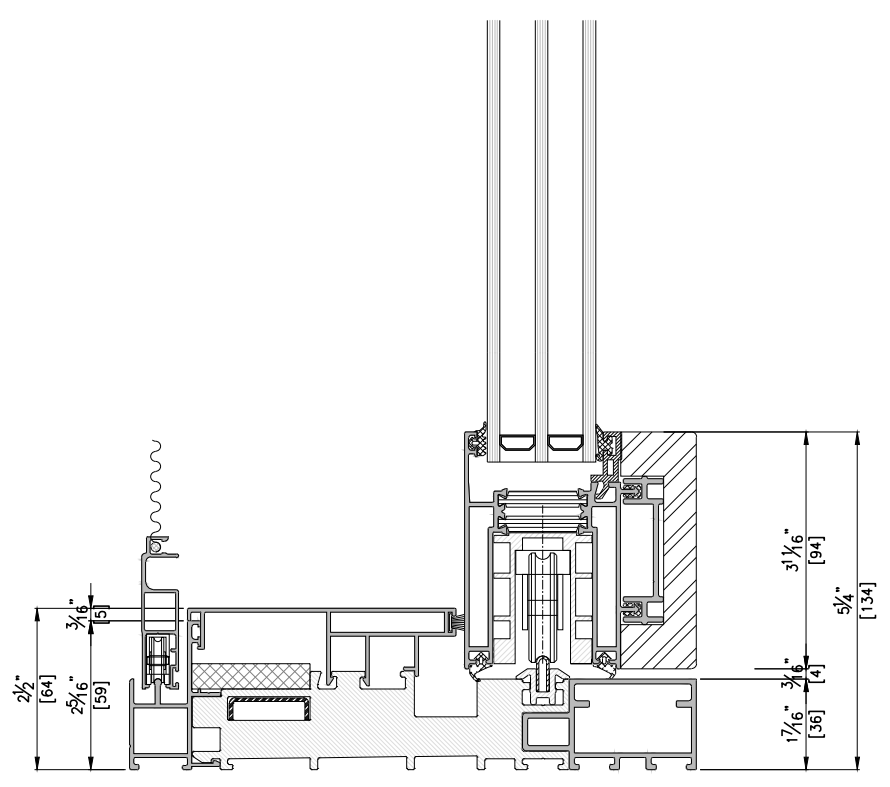
VIEW
EXTERIOR

SCALE
-

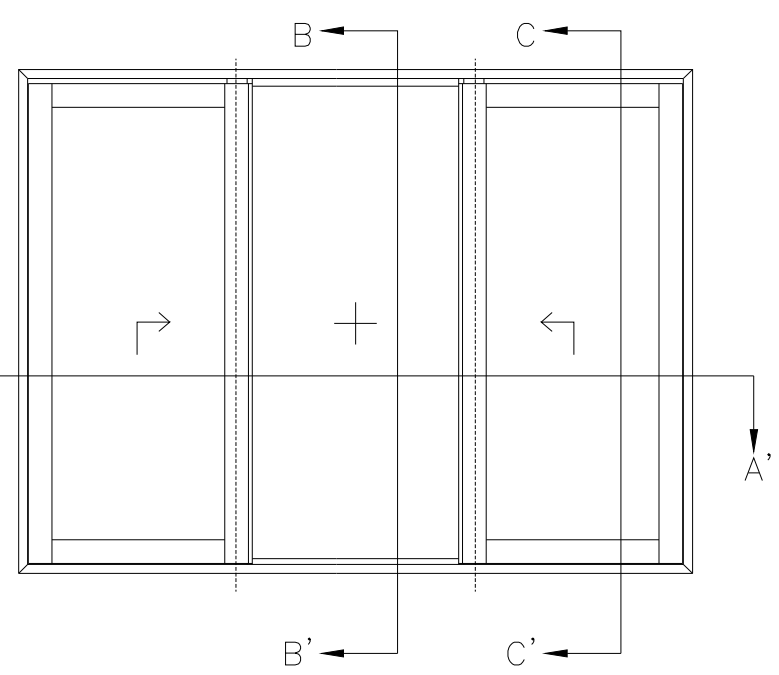
DRAWING NO. | ISSUE



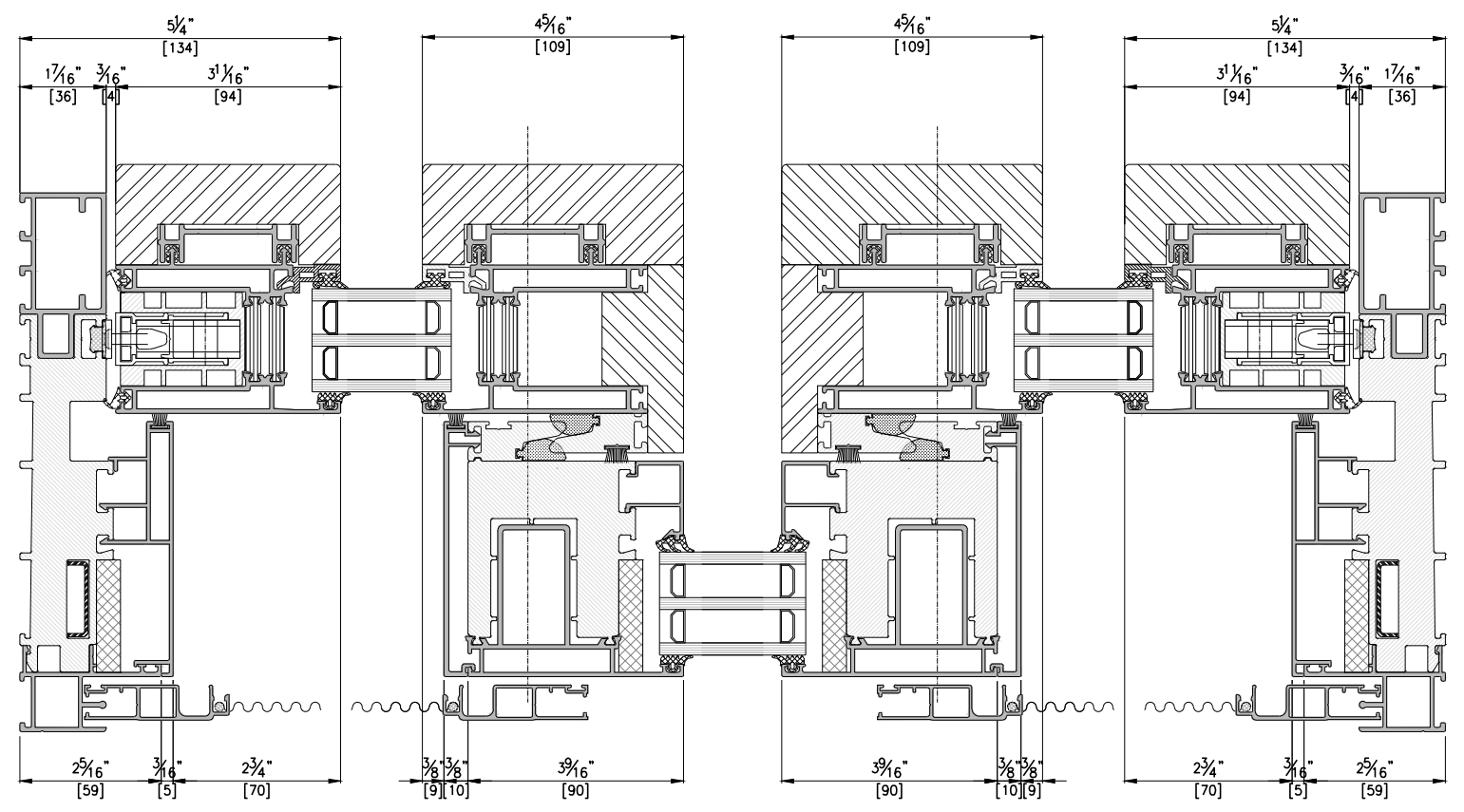
VERTICAL SECTION DETAIL B-B'
SCALE: 1/3



VERTICAL SECTION DETAIL B-B'
SCALE: 1/3



ELEVATION
SCALE: 1/30



HORIZONTAL SECTION DETAIL A-A'
SCALE: 1/3