

NOTE

O TYPE  
Wood-Arc Design  
Wood Frame

General Notes

- Elevations are shown from exterior unless otherwise noted
- Anchor/wall fastener - Location, spacing and quantity to be determined per design pressure requirements by structural engineer and/or certified test drawings

△			
△			
△			

○	TAEUN KIM	Jess Jeong
	2019. 00. 00.	
	DESCRIPTION	
REV.	DRAWN BY(1)	DRAWN BY(2)
		DRAWN BY(3)
	DATE	

PROJECT -

ITEM NO. -

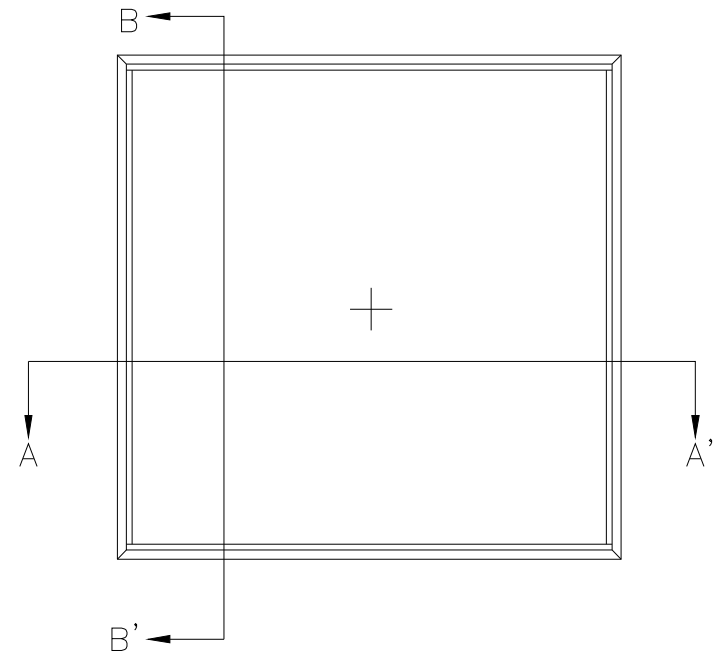
PRODUCT NAME  
CSS225 LS

QTY  
1

VIEW  
EXTERIOR

SCALE  
-

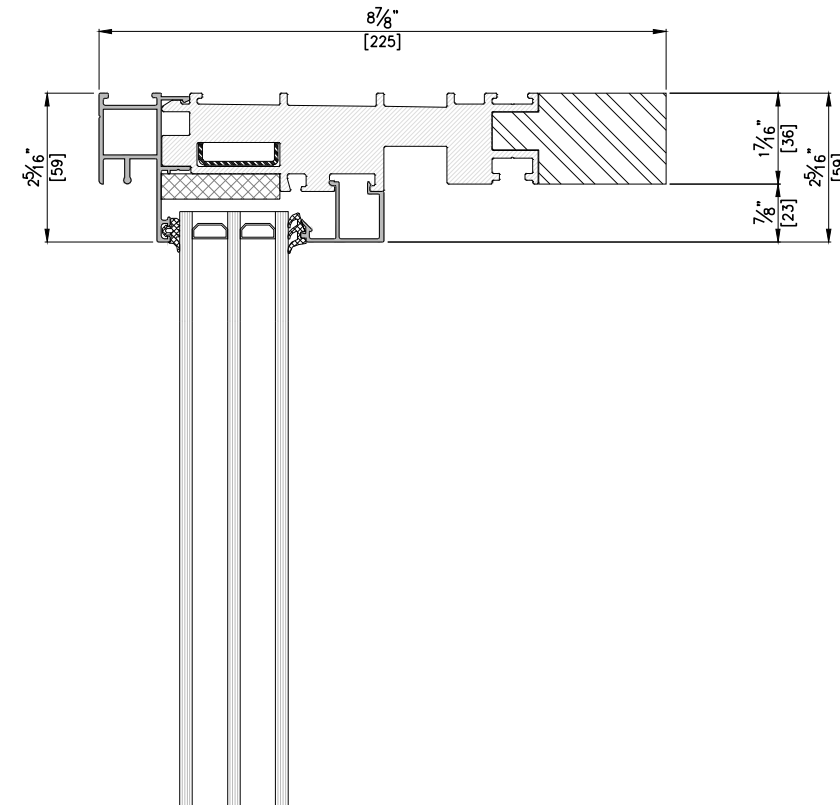
DRAWING NO. ISSUE



**ELEVATION**  
SCALE : 1/30



**HORIZONTAL SECTION DETAIL A-A'**  
SCALE : 1/3



**VERTICAL SECTION DETAIL B-B'**  
SCALE : 1/3

