

NOTE

O TYPE
Wood-Step Design
Wood Frame

General Notes

- Elevations are shown from exterior unless otherwise noted
- Anchor/wall fastener - Location, spacing and quantity to be determined per design pressure requirements by structural engineer and/or certified test drawings

△			
△			
△			

○	TAEUN KIM	Jess Jeong	
	2019. 00. 00.		
	DESCRIPTION		
REV.	DRAWN BY(1)	DRAWN BY(2)	DRAWN BY(3)
			DATE

PROJECT -

ITEM NO. -

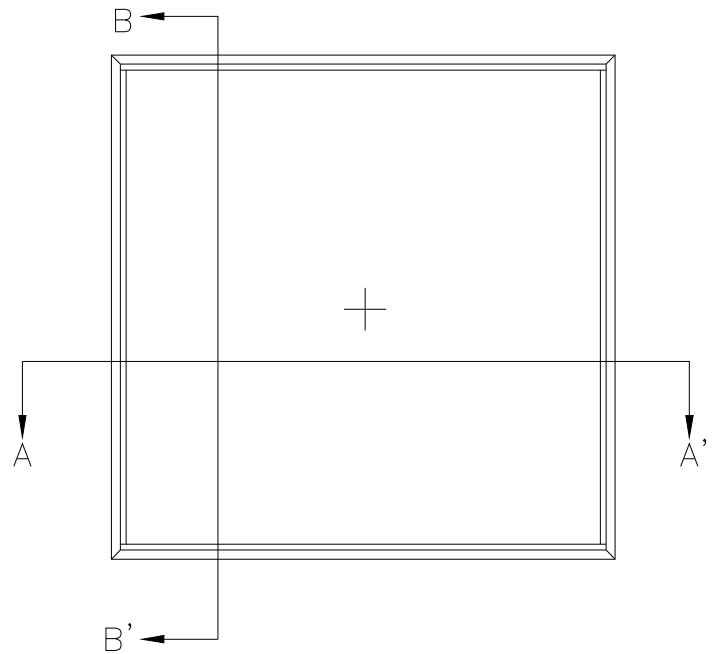
PRODUCT NAME
CSS225 LS

QTY
1

VIEW
EXTERIOR

SCALE
-

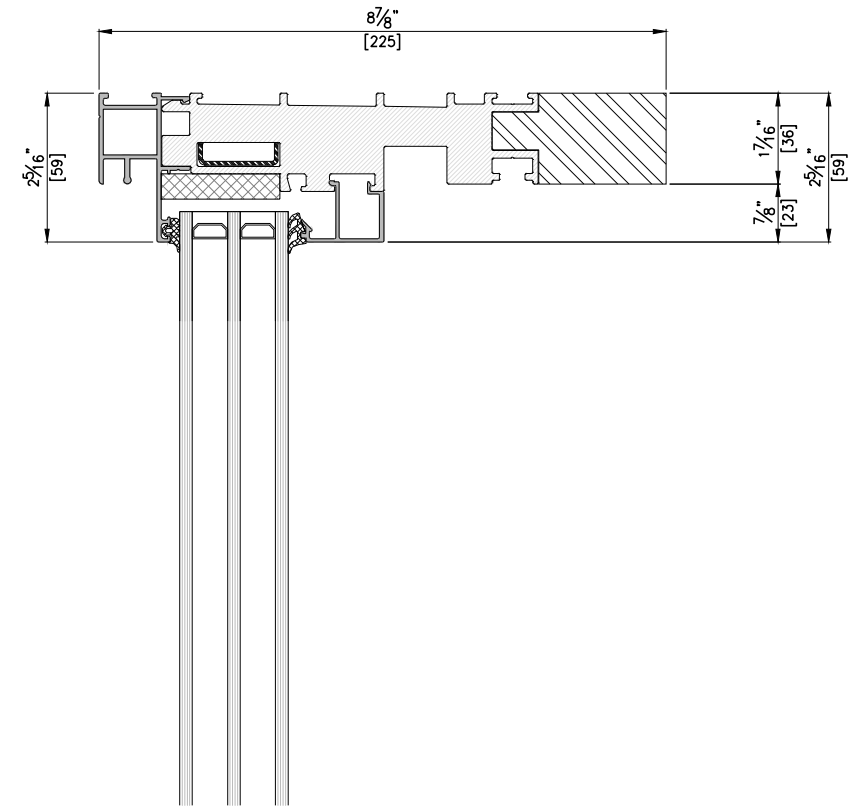
DRAWING NO. ISSUE



ELEVATION
SCALE : 1/30



HORIZONTAL SECTION DETAIL A-A'
SCALE : 1/3



VERTICAL SECTION DETAIL B-B'
SCALE : 1/3

