

NOTE  
XOX TYPE  
Wood-Step Design  
Wood Frame

- General Notes
- Elevations are shown from exterior unless otherwise noted
  - Anchor/wall fastener - Location, spacing and quantity to be determined per design pressure requirements by structural engineer and/or certified test drawings

△	
△	
△	
△	

○	TAEUN KIM   Jess Jeong
	2019. 00. 00.
REV.	DESCRIPTION
	DRAWN BY(1)   DRAWN BY(2)   DRAWN BY(3)
	DATE

PROJECT -

ITEM NO. -

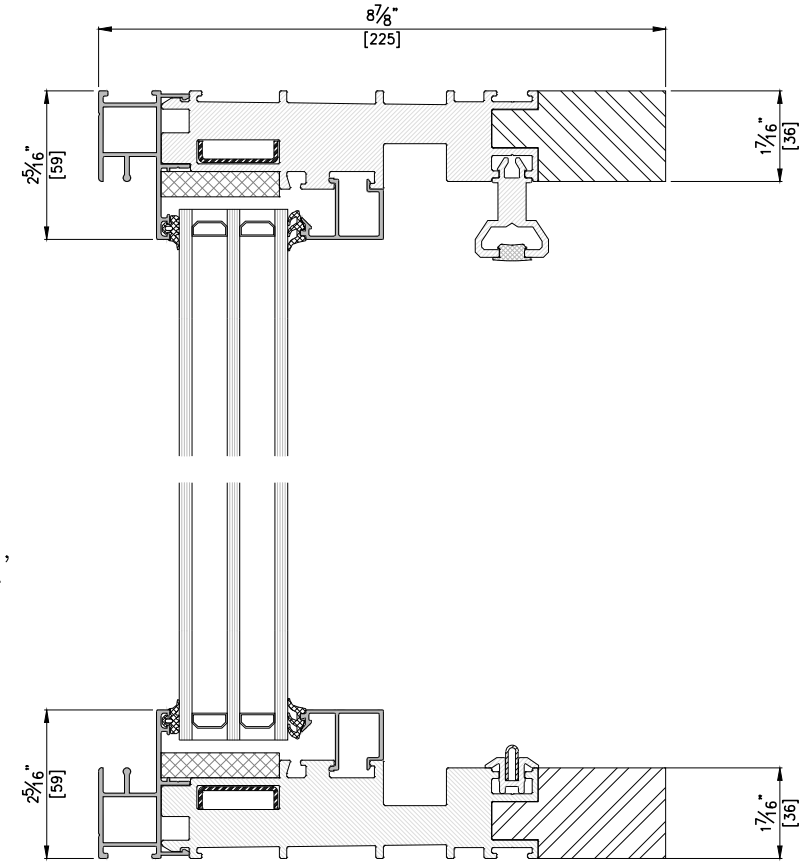
PRODUCT NAME  
CSS225 LS

QTY  
1

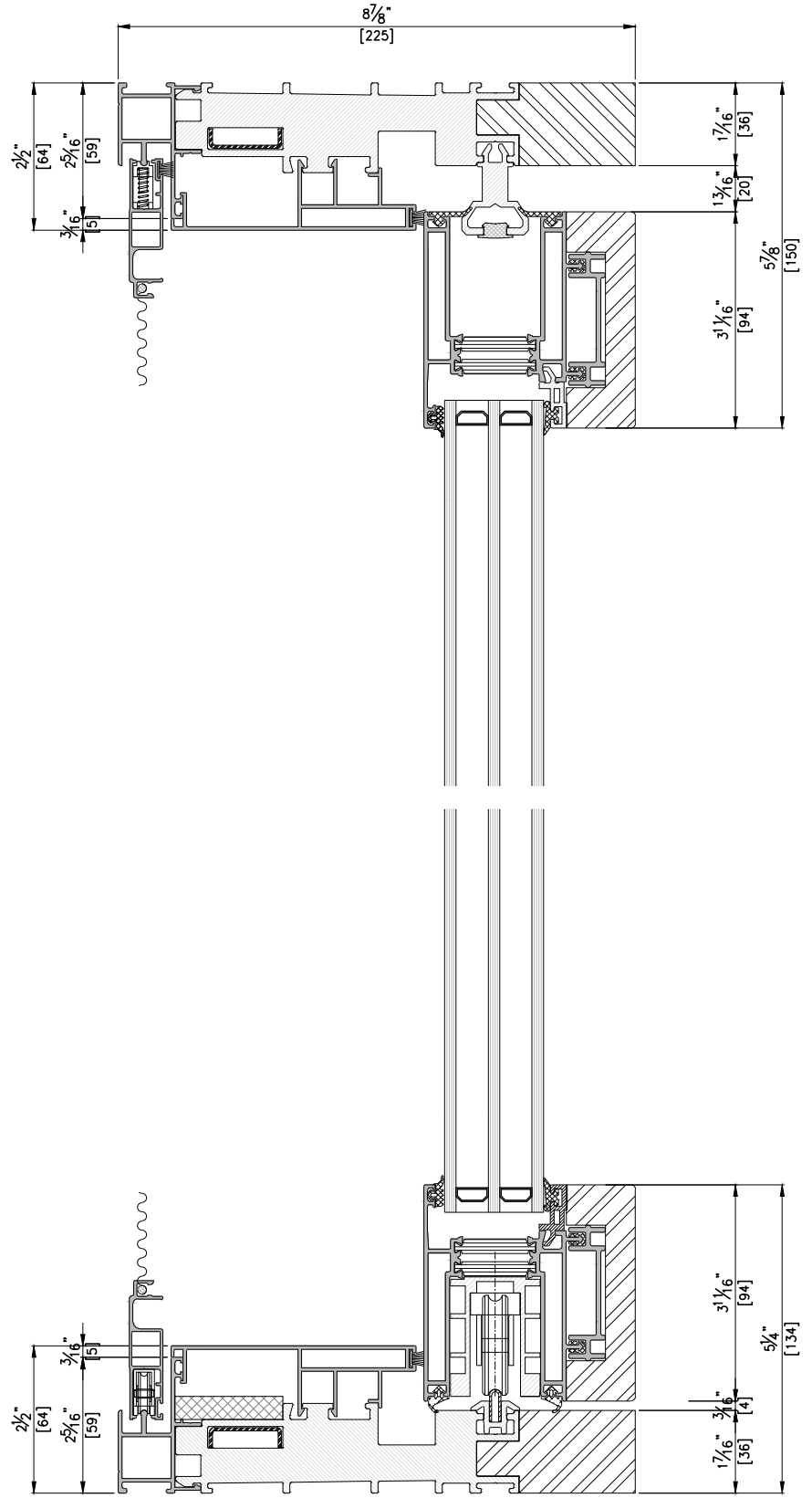
VIEW  
EXTERIOR

SCALE -

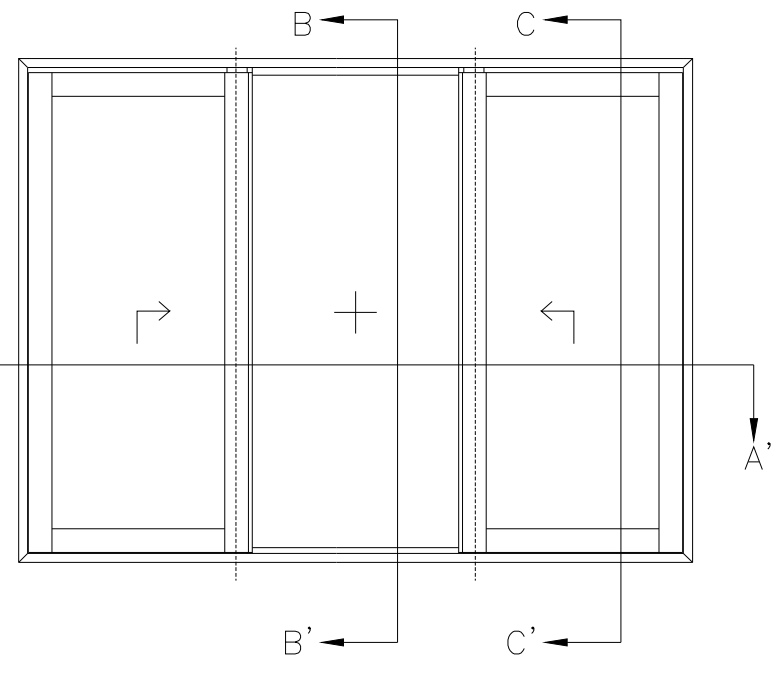
DRAWING NO. | ISSUE



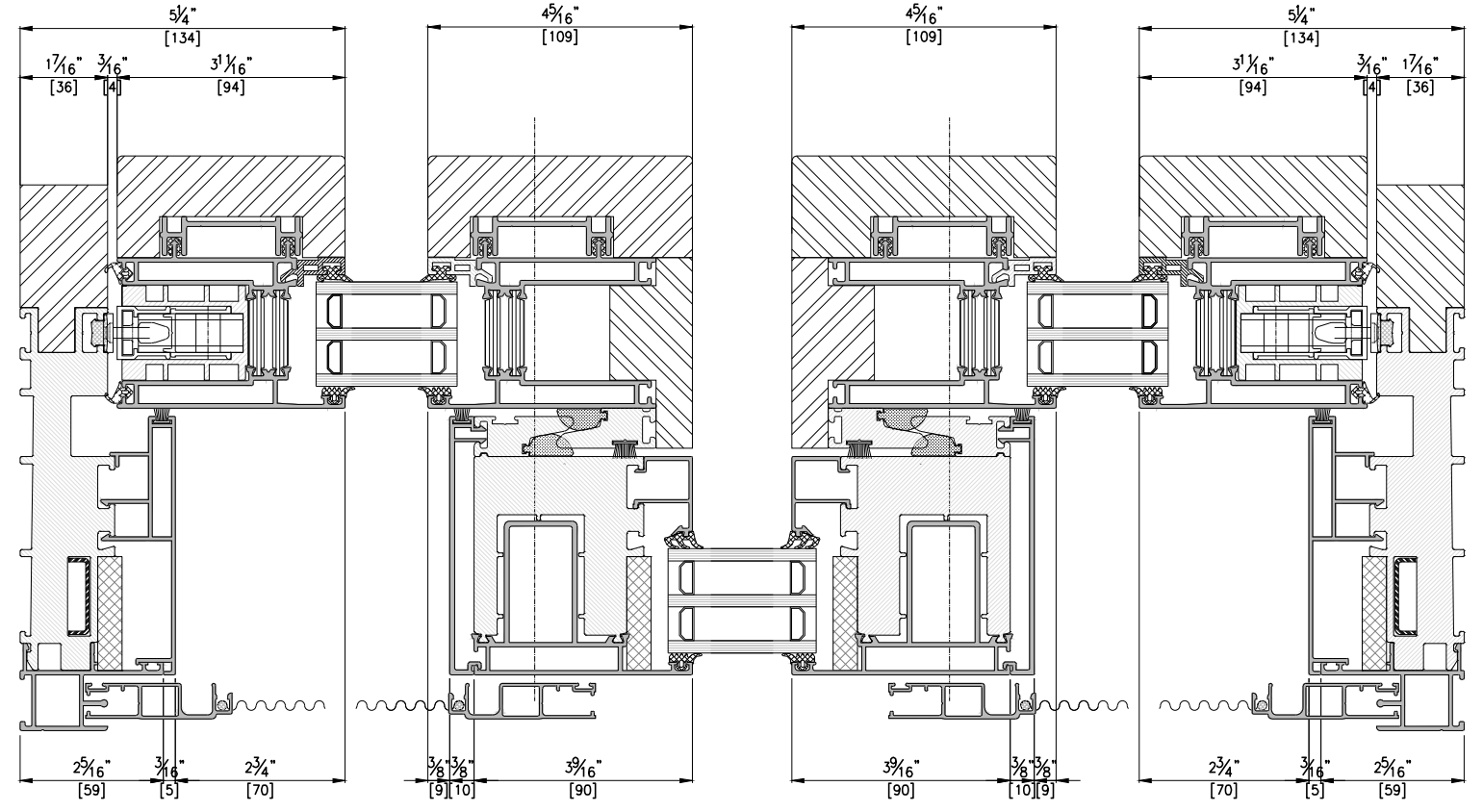
VERTICAL SECTION DETAIL B-B'  
SCALE: 1/3



VERTICAL SECTION DETAIL B-B'  
SCALE: 1/3



ELEVATION  
SCALE: 1/30



HORIZONTAL SECTION DETAIL A-A'  
SCALE: 1/3