

NOTE

OXO TYPE

General Notes

- Elevations are shown from exterior unless otherwise noted
- Anchor/wall fastener - Location, spacing and quantity to be determined per design pressure requirements by structural engineer and/or certified test drawings

△			
△			
△			
△			
○			
	2021. 00. 00.		
		DESCRIPTION	
REV.	v2		

PROJECT

ITEM NO.

PRODUCT NAME
ESS70 SD

QTY
1

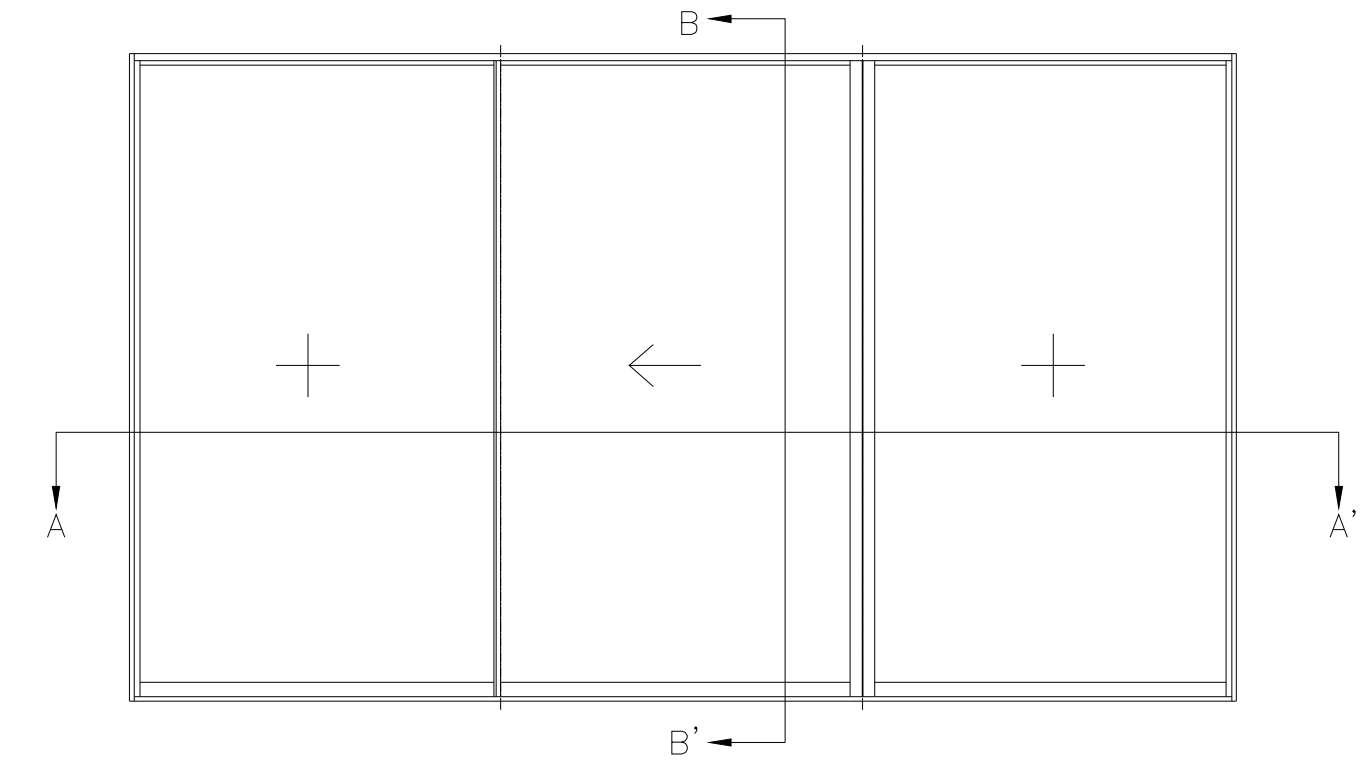
VIEW
EXTERIOR

SCALE

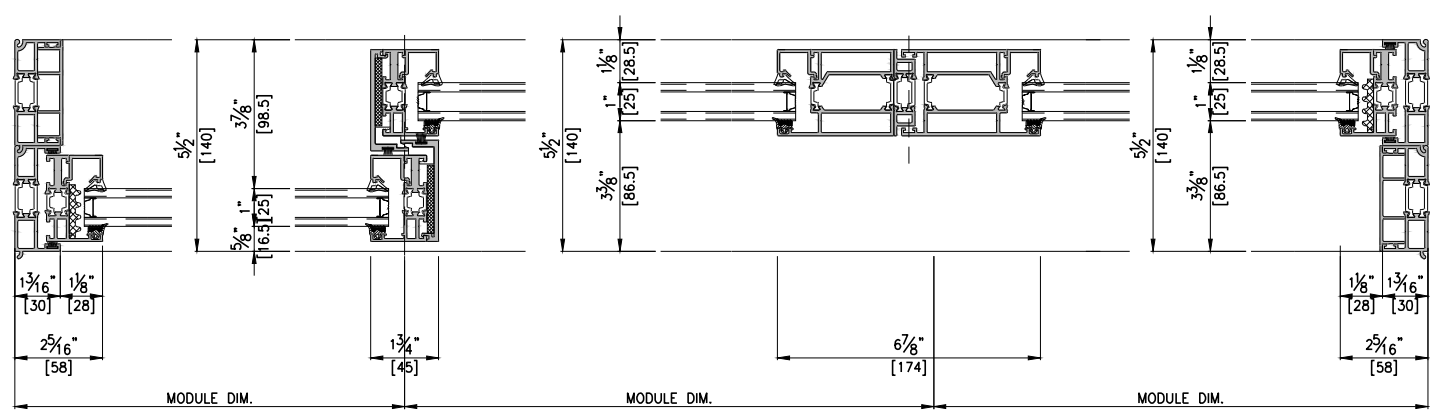
DRAWING NO. ISSUE

1 2 3 4 5 6

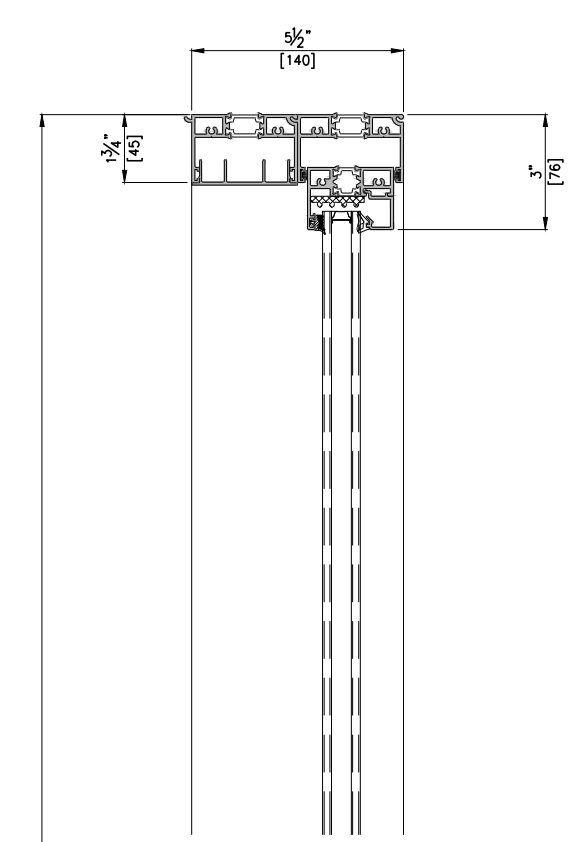
E
D
C
B
A



ELEVATION
SCALE : 1/30



HORIZONTAL SECTION DETAIL A-A'
SCALE : 1/5



VERTICAL SECTION DETAIL B-B'
SCALE : 1/5

1 2 3 4 5 6