

NOTE

XO TYPE

General Notes

- Elevations are shown from exterior unless otherwise noted
- Anchor/wall fastener - Location, spacing and quantity to be determined per design pressure requirements by structural engineer and/or certified test drawings

△	
△	
△	
△	

○	TAEUN KIM	Jess Jeong
	2019. 00. 00.	
	DESCRIPTION	
REV.	DRAWN BY(1)	DRAWN BY(2)
		DRAWN BY(5)
	DATE	

PROJECT

ITEM NO.

PRODUCT NAME

ESS250 LS

QTY

1

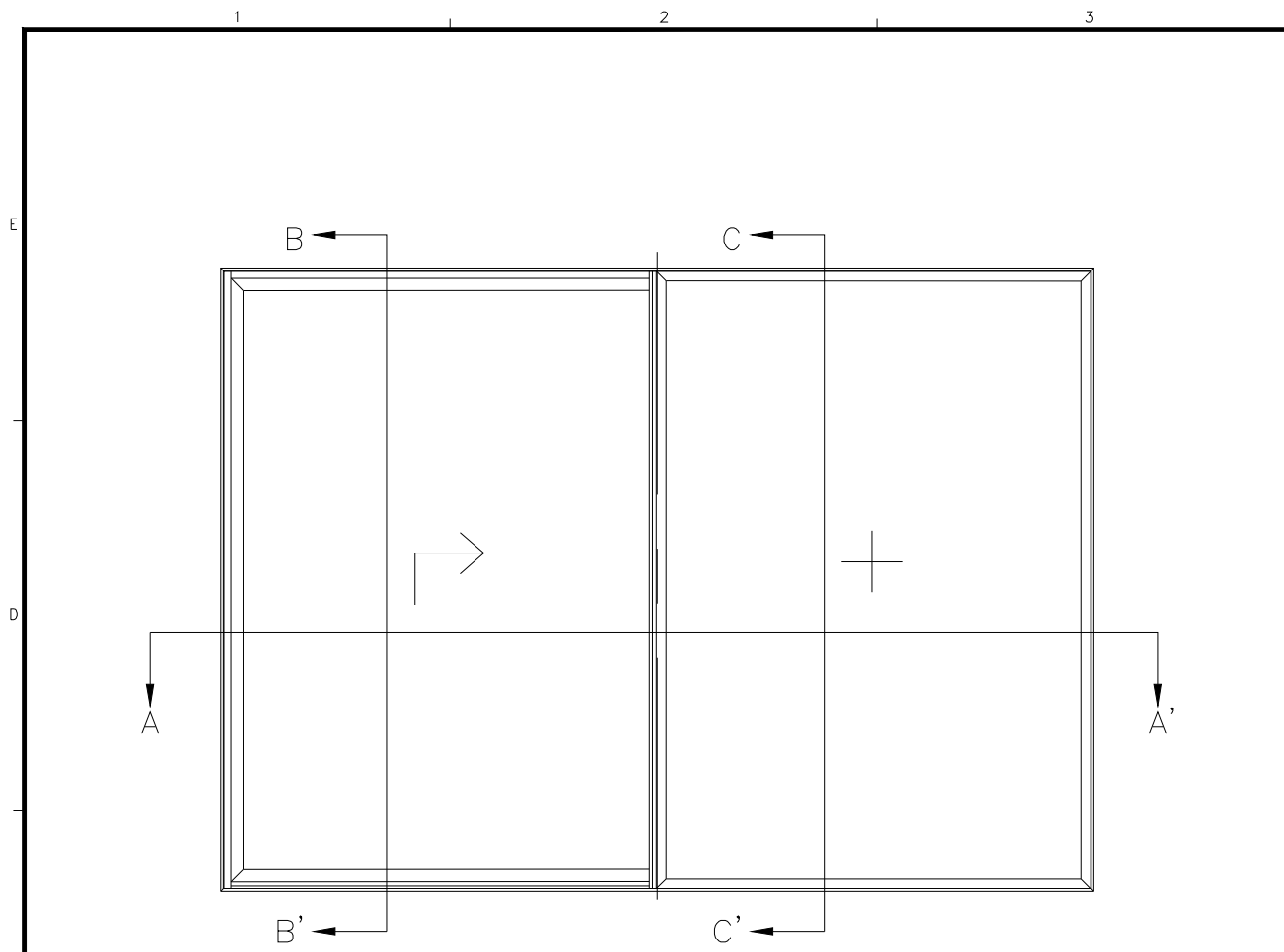
VIEW

EXTERIOR

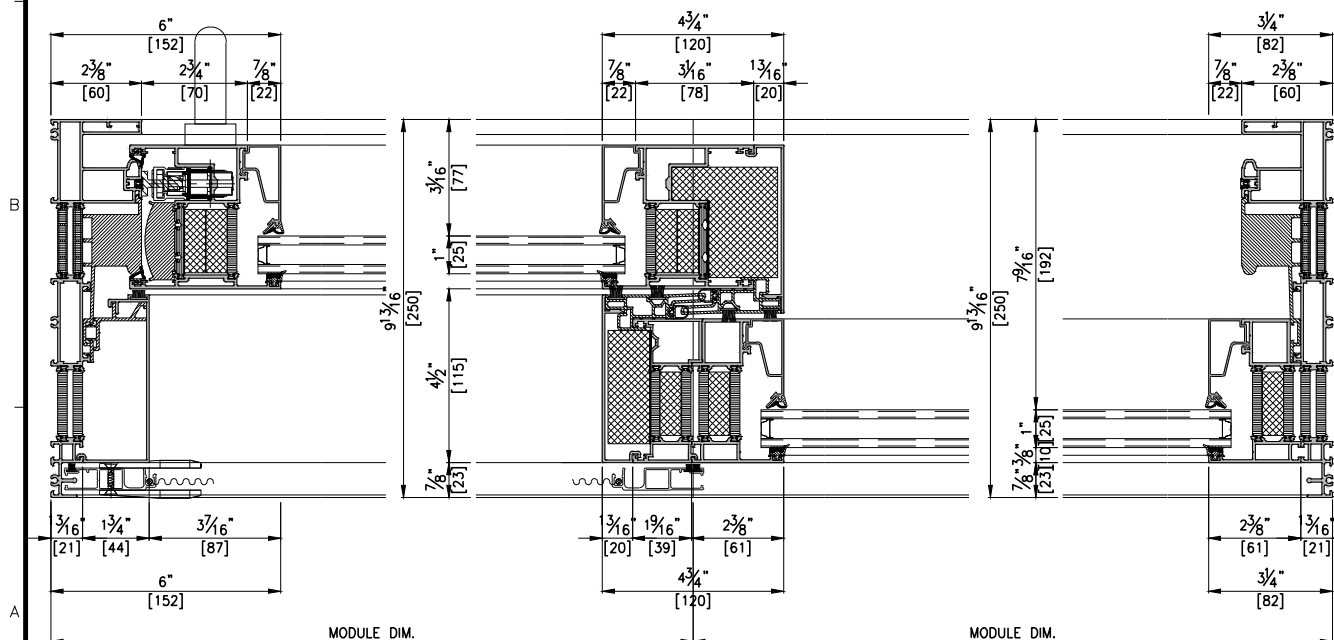
SCALE

DRAWING NO.

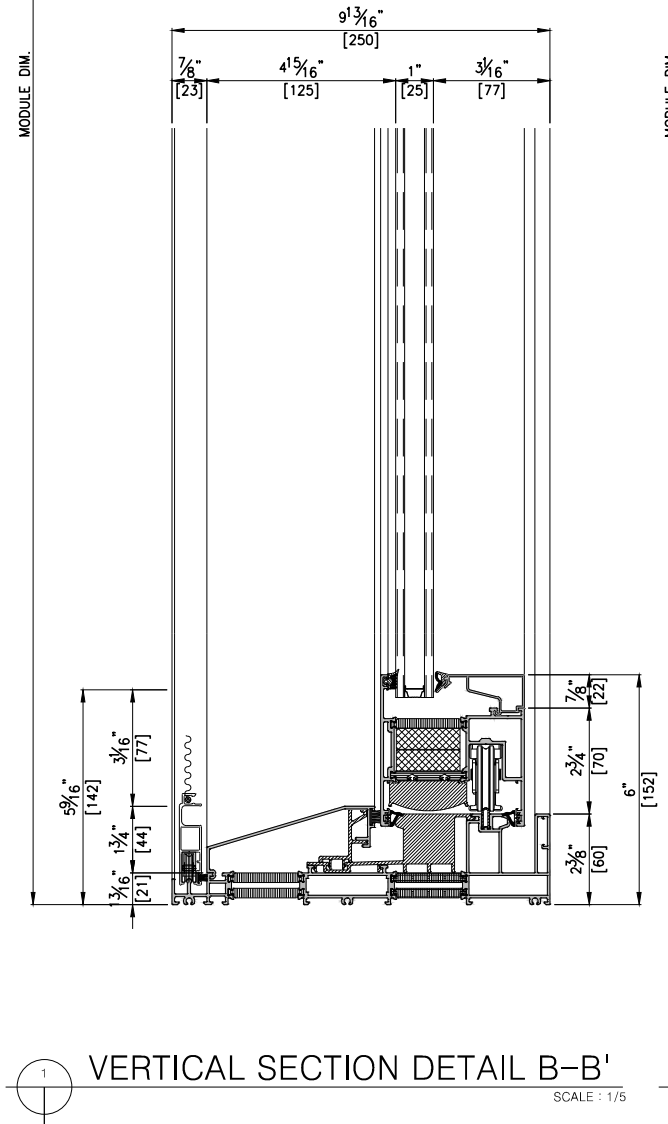
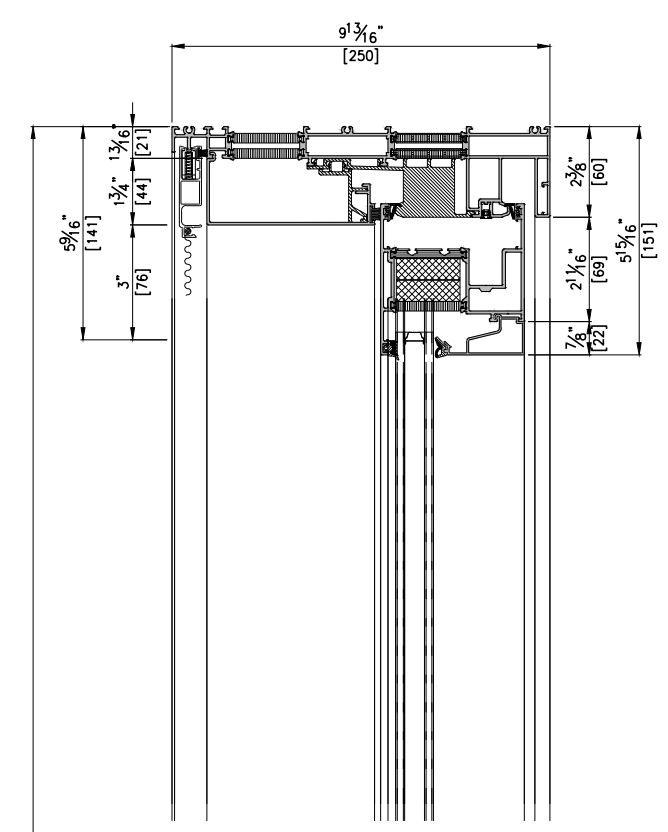
ISSUE



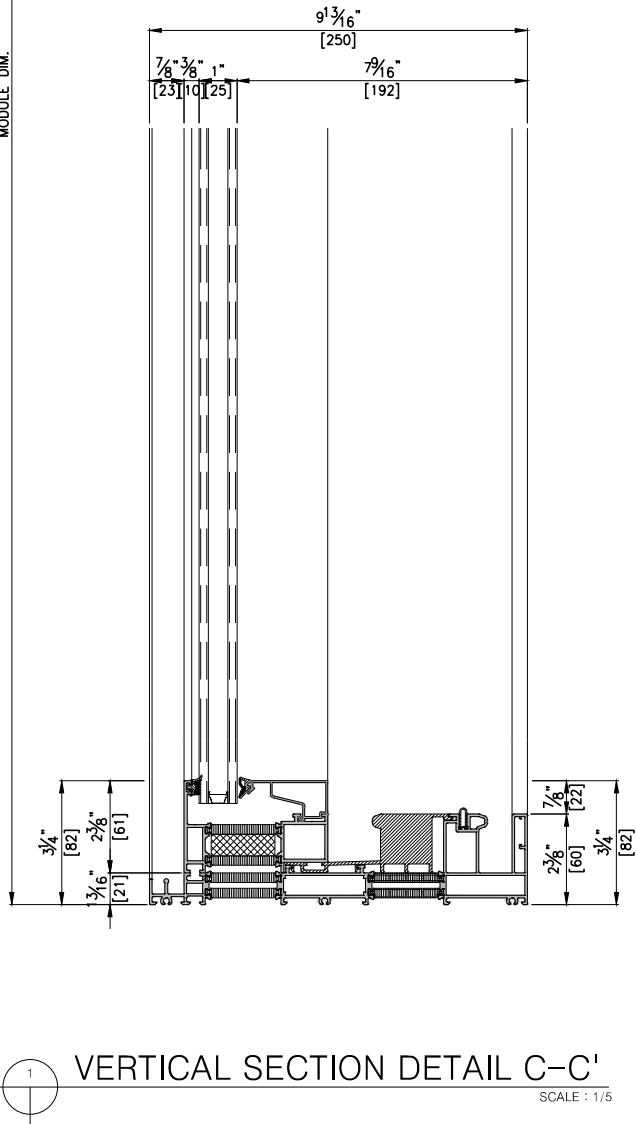
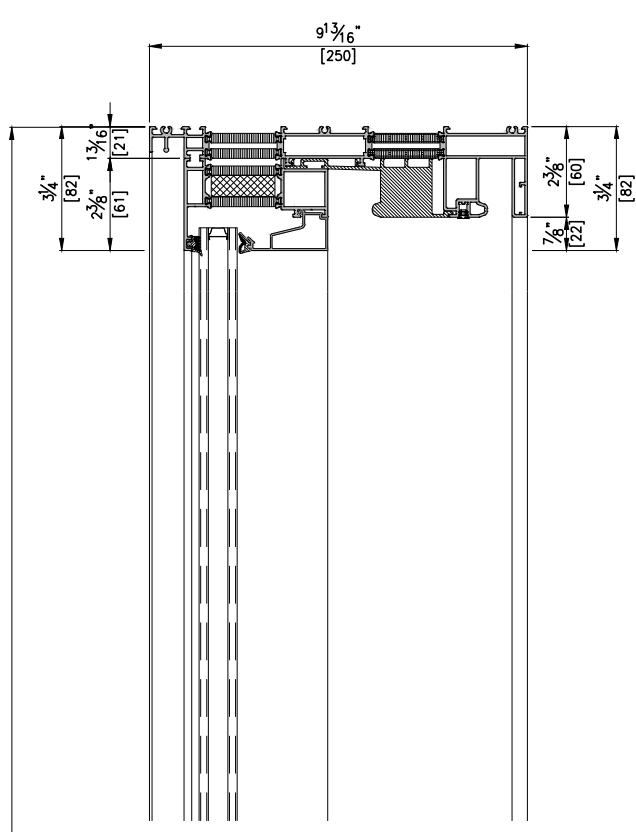
1 ELEVATION
SCALE : 1/30



1 HORIZONTAL SECTION DETAIL A-A'
SCALE : 1/5



1 VERTICAL SECTION DETAIL B-B'
SCALE : 1/5



1 VERTICAL SECTION DETAIL C-C'
SCALE : 1/5