

NOTE

XOO TYPE

General Notes

- Elevations are shown from exterior unless otherwise noted
- Anchor/wall fastener - Location, spacing and quantity to be determined per design pressure requirements by structural engineer and/or certified test drawings

△	
△	
△	

○	TAEUN KIM	Jess Jeong
	2019. 00. 00.	
	DESCRIPTION	
REV.	DRAWN BY(1)	DRAWN BY(2)
		DRAWN BY(3)
		DATE

PROJECT

ITEM NO.

PRODUCT NAME

ESS250 LS

QTY

1

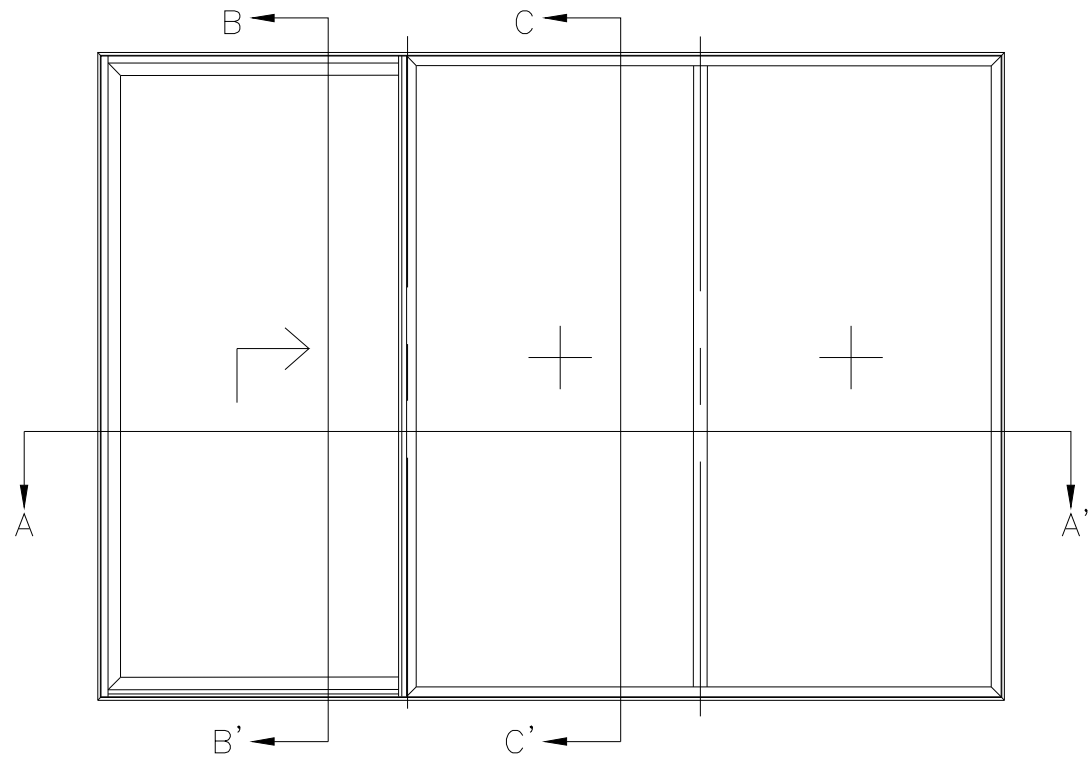
VIEW

EXTERIOR

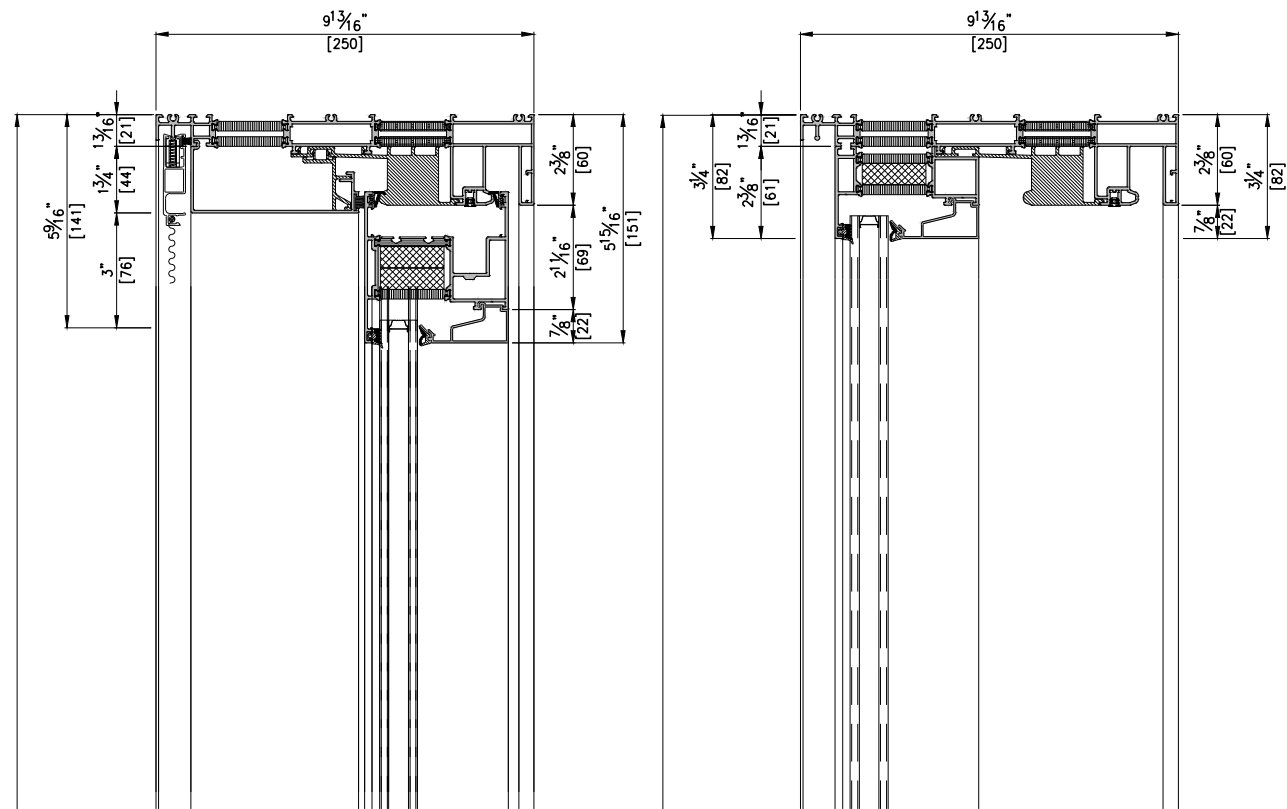
SCALE

DRAWING NO.

ISSUE



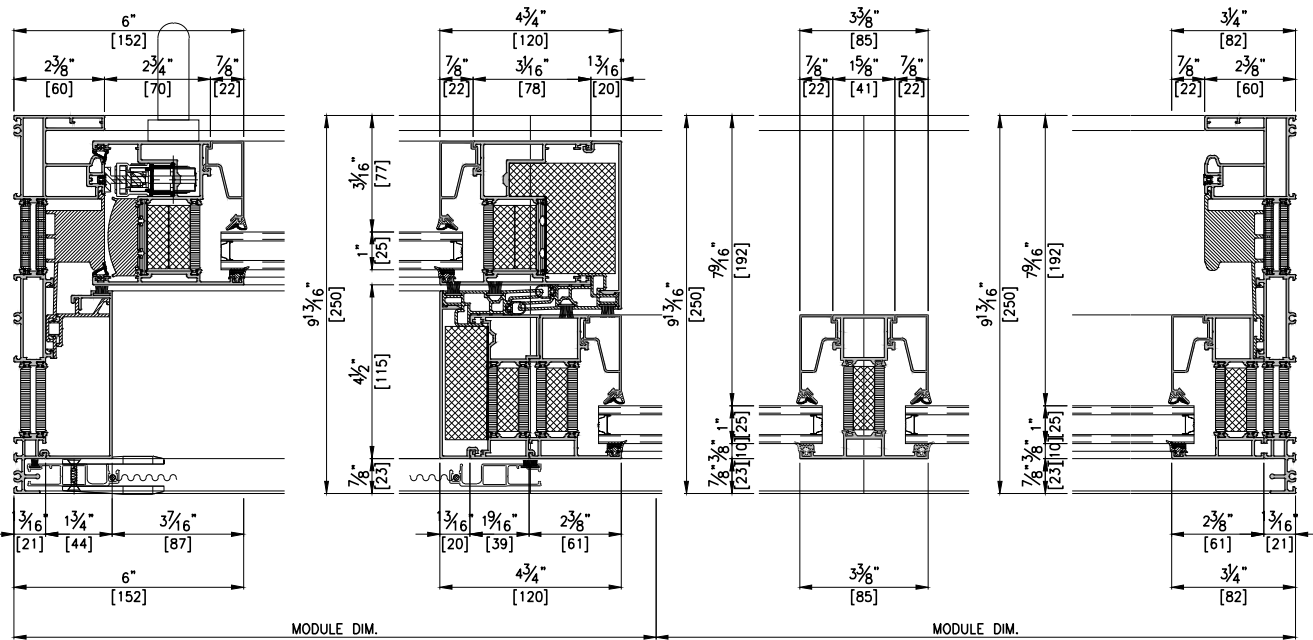
① ELEVATION
SCALE : 1/30



MODULE DIM.

MODULE DIM.

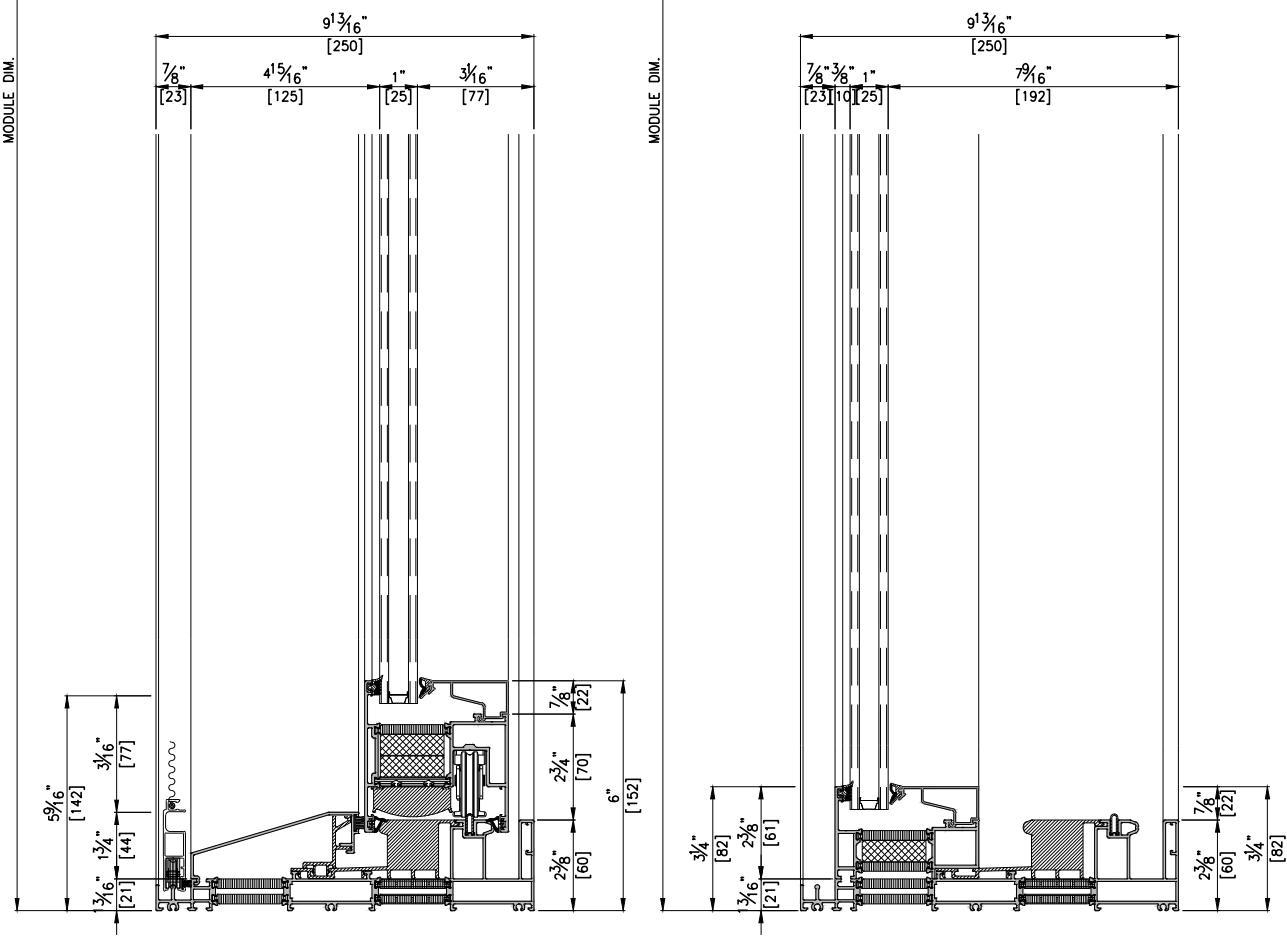
① VERTICAL SECTION DETAIL B-B'
SCALE : 1/5



MODULE DIM.

MODULE DIM.

① HORIZONTAL SECTION DETAIL A-A'
SCALE : 1/5



① VERTICAL SECTION DETAIL C-C'
SCALE : 1/5