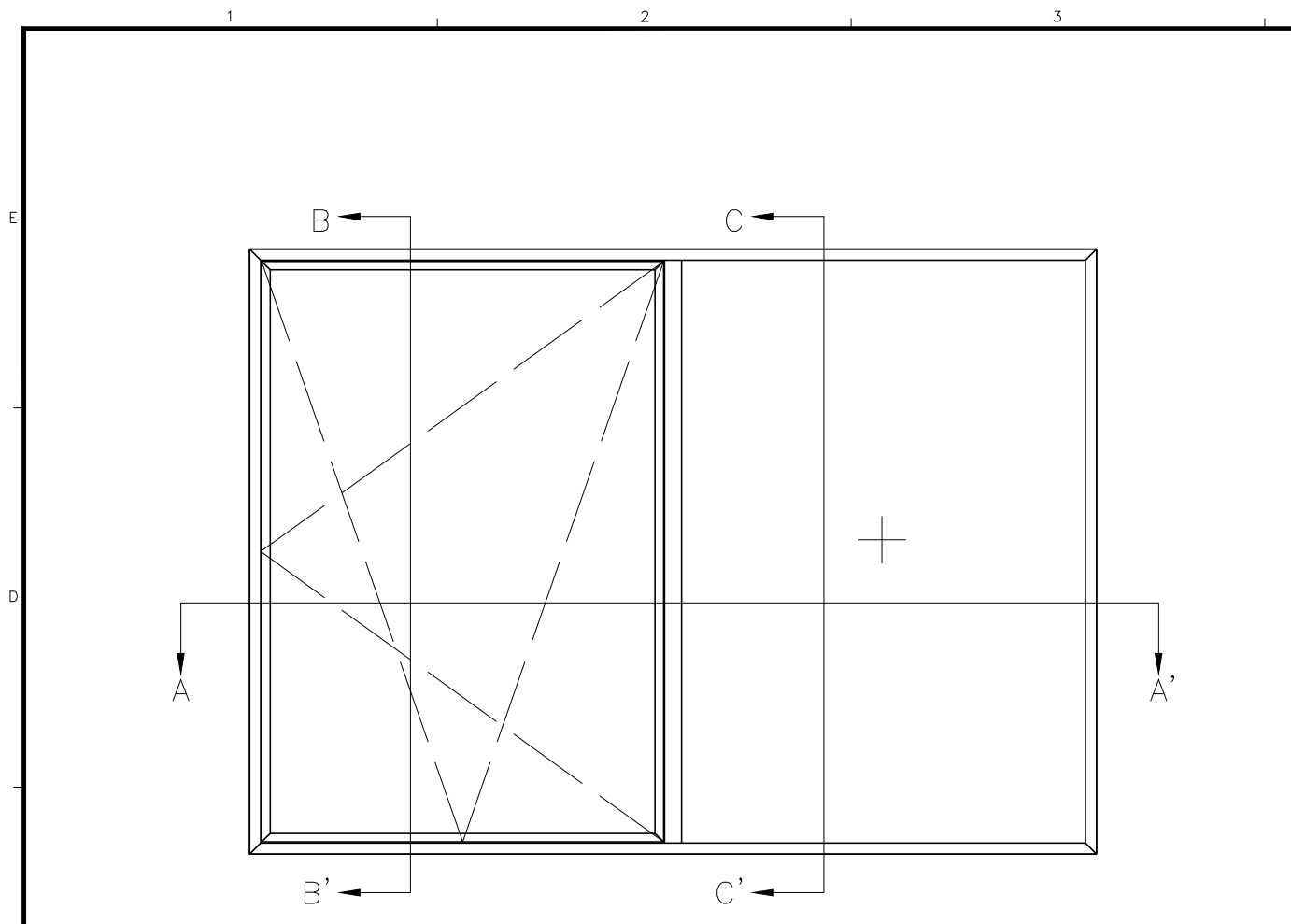


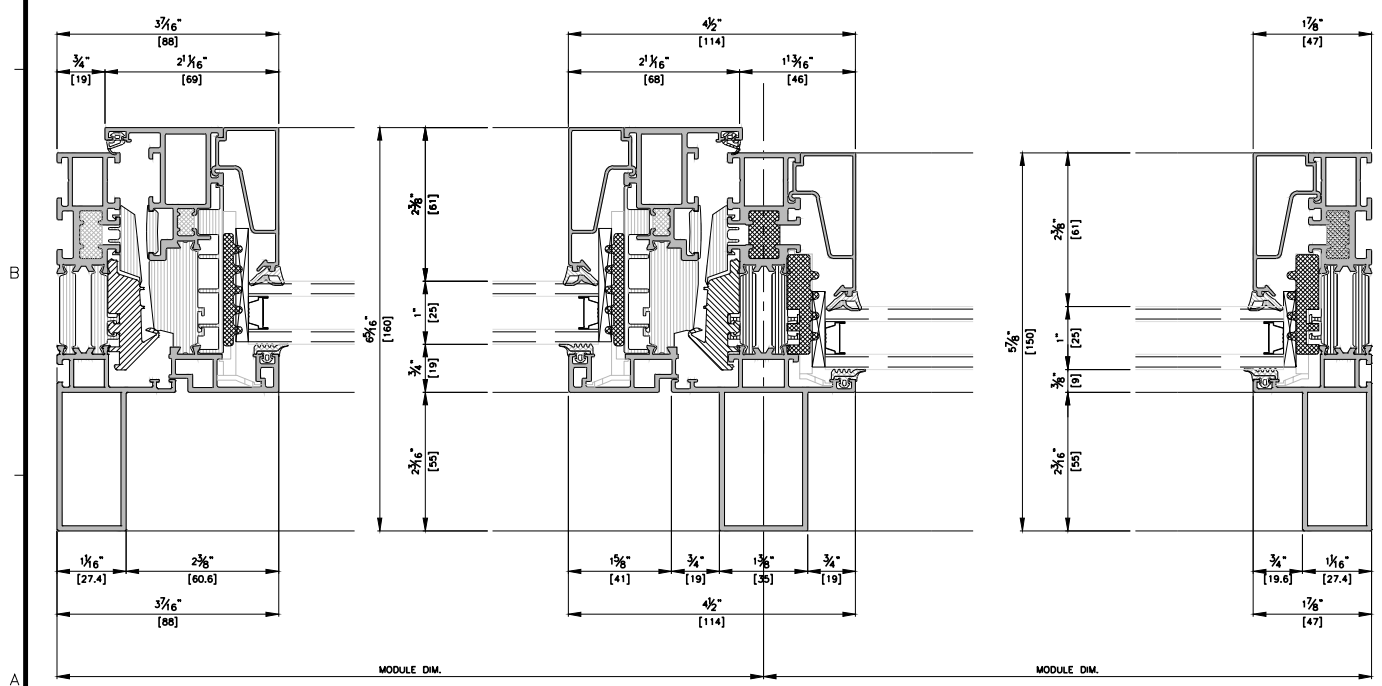
NOTE  
XO TYPE

- General Notes
- Elevations are shown from exterior unless otherwise noted
  - Anchor/wall fastener  
- Location, spacing and quantity to be determined per design pressure requirements by structural engineer and/or certified test drawings

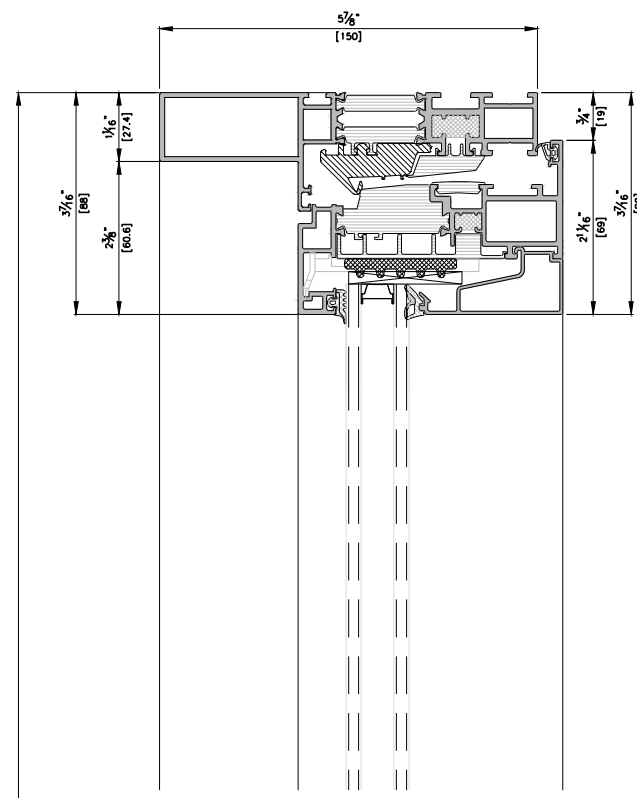
△	
△	
△	
△	
○	TAEUN KIM   Jess Jeong 2019. 00. 00.
REV.	DESCRIPTION DRAWN BY(1)   DRAWN BY(2)   DRAWN BY(3) DATE
PROJECT	-
ITEM NO.	-
PRODUCT NAME	EWS95 TT EXTERIOR EXTENSION
QTY	1
VIEW	EXTERIOR
SCALE	-
DRAWING NO.	ISSUE



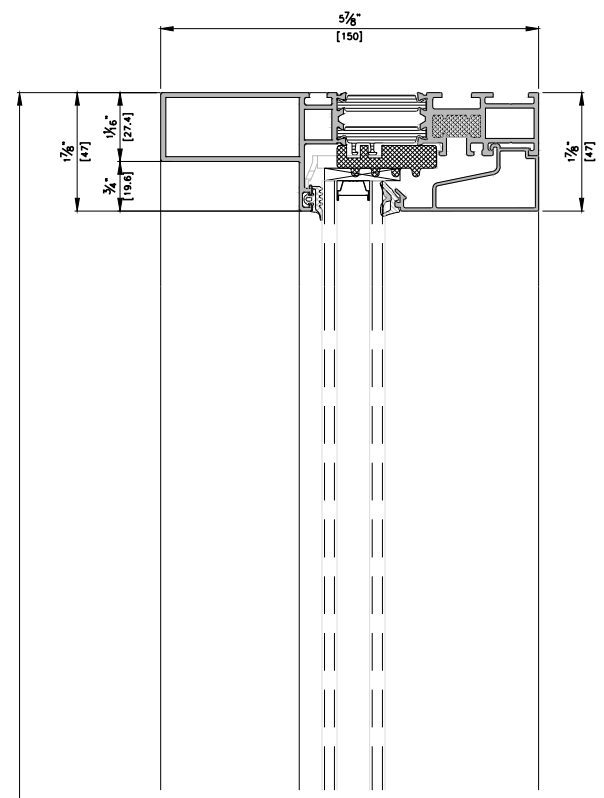
ELEVATION  
SCALE : 1/30



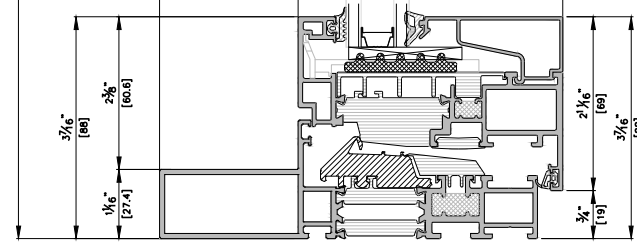
HORIZONTAL SECTION DETAIL A-A'  
SCALE : 1/3



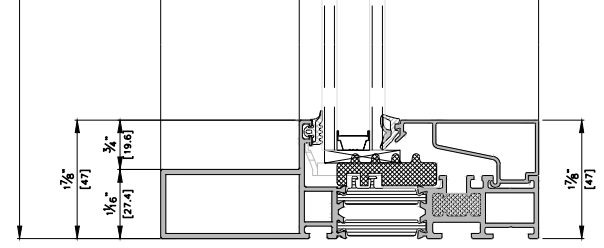
VERTICAL SECTION DETAIL B-B'  
SCALE : 1/3



VERTICAL SECTION DETAIL C-C'  
SCALE : 1/3



HORIZONTAL SECTION DETAIL B-B'  
SCALE : 1/3



HORIZONTAL SECTION DETAIL C-C'  
SCALE : 1/3