

NOTE

XX TYPE

General Notes

- Elevations are shown from exterior unless otherwise noted
- Anchor/wall fastener – Location, spacing and quantity to be determined per design pressure requirements by structural engineer and/or certified test drawings

△			
△			
△			
△			
△			
0			
	2021. 00. 00.		
REV.	DESCRIPTION		
v.3			

PROJECT —

ITEM NO. —

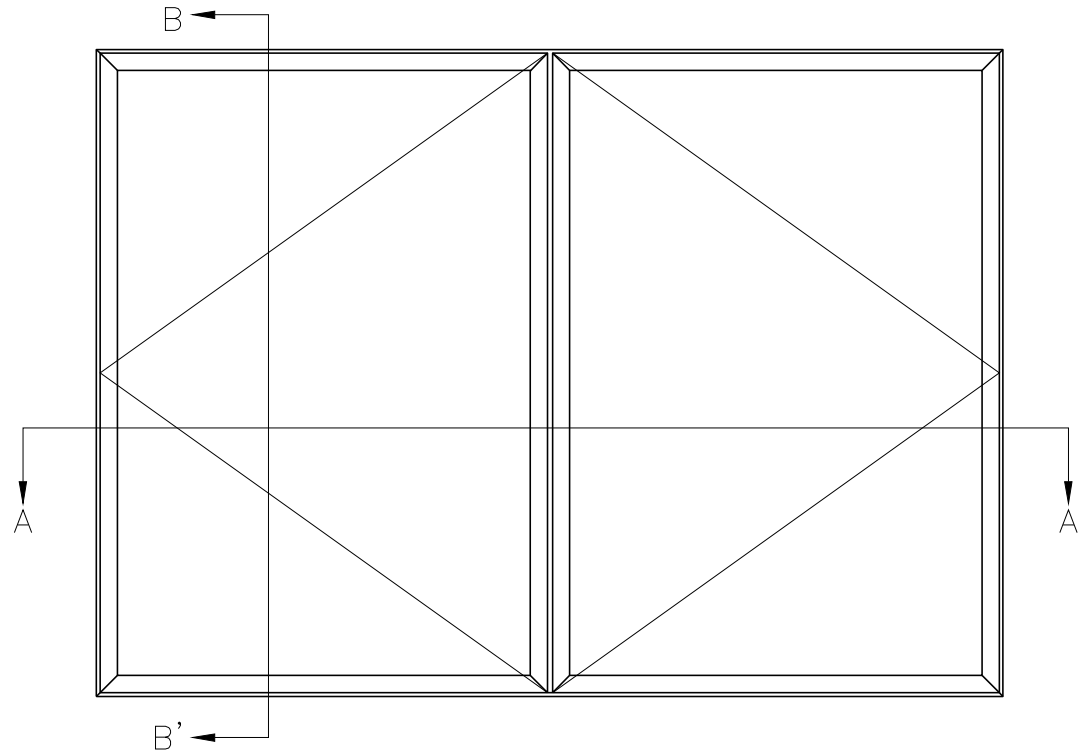
PRODUCT NAME  
EWS75 OW

QTY  
1

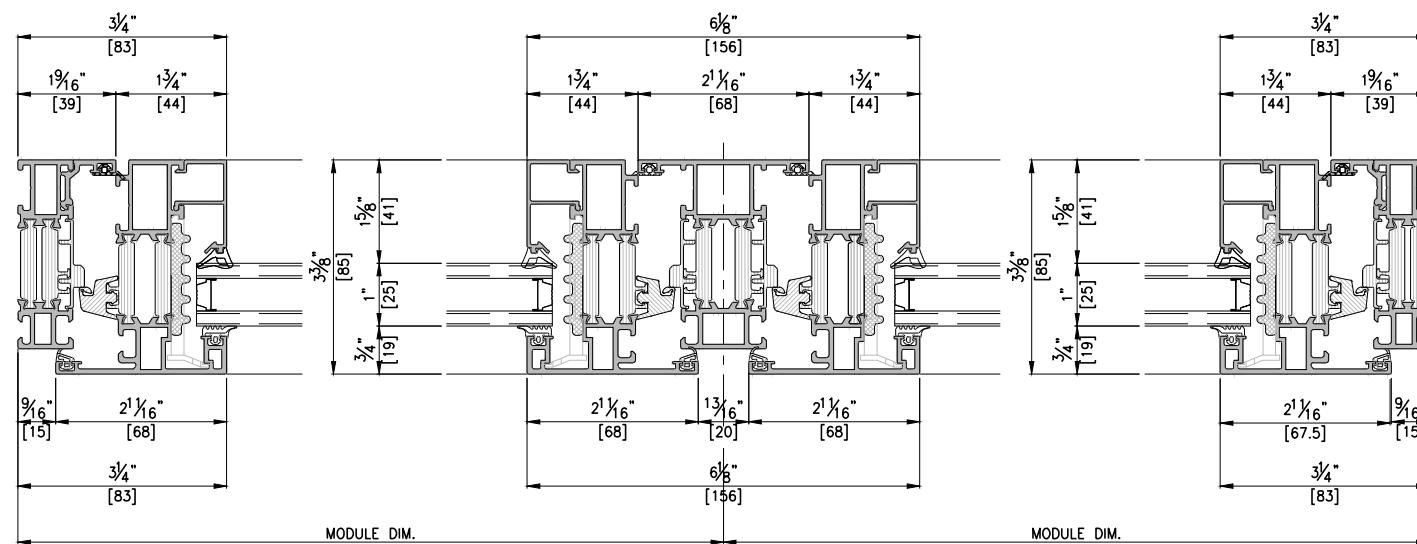
VIEW  
EXTERIOR

SCALE  
—

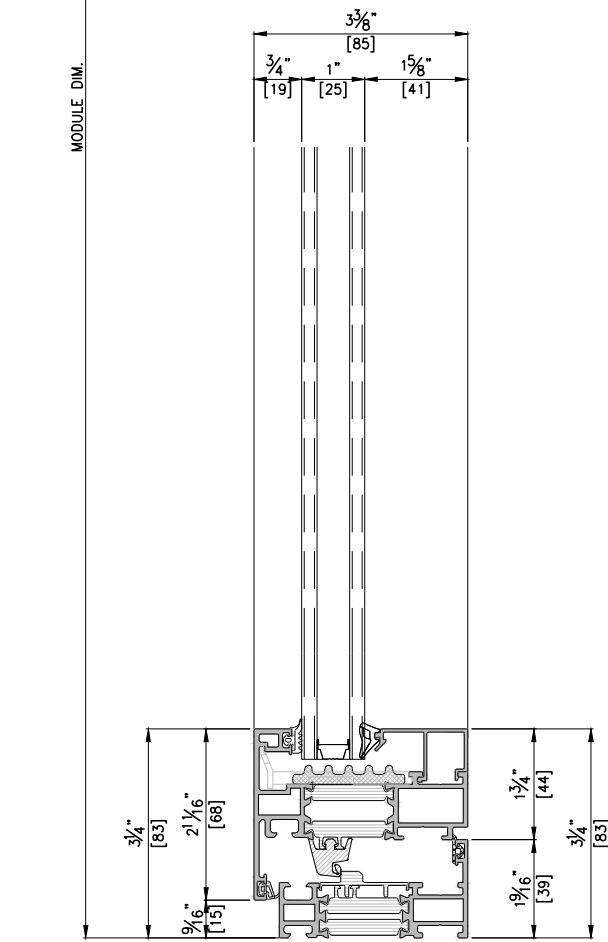
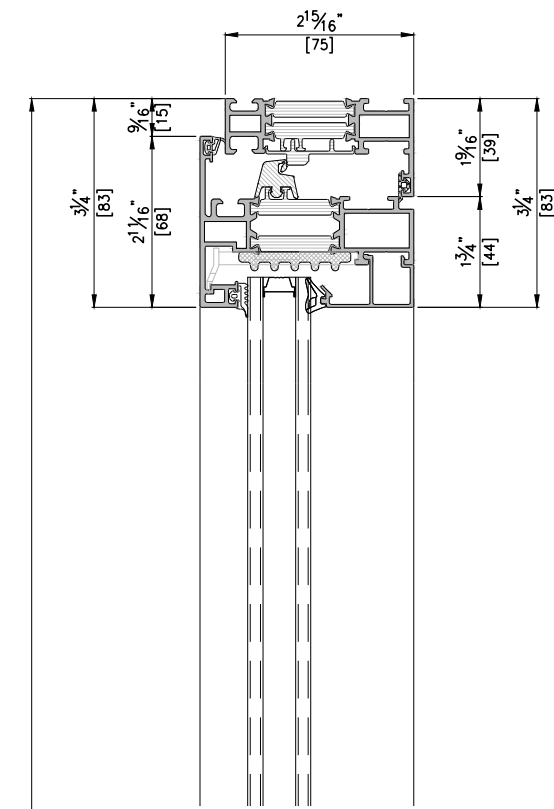
DRAWING NO. ISSUE



**ELEVATION**  
SCALE : 1/30



**HORIZONTAL SECTION DETAIL A-A'**  
SCALE : 1/3



**VERTICAL SECTION DETAIL B-B'**  
SCALE : 1/3