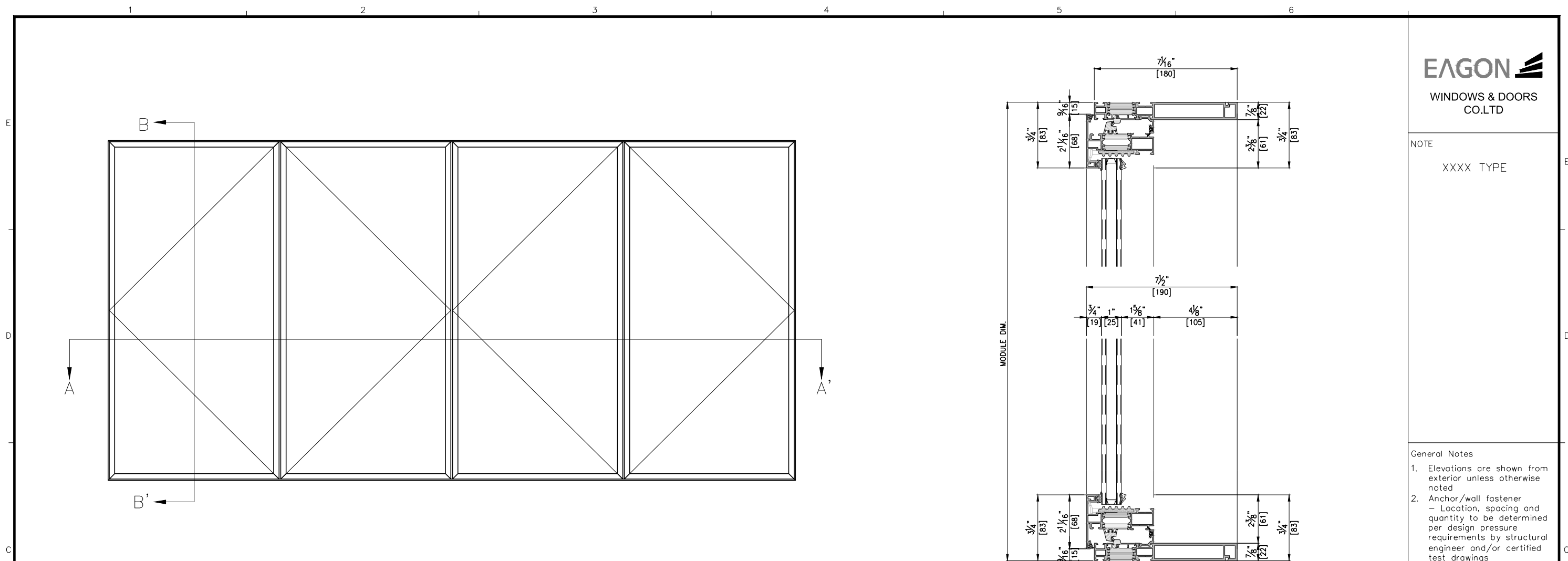


NOTE
XXXX TYPE

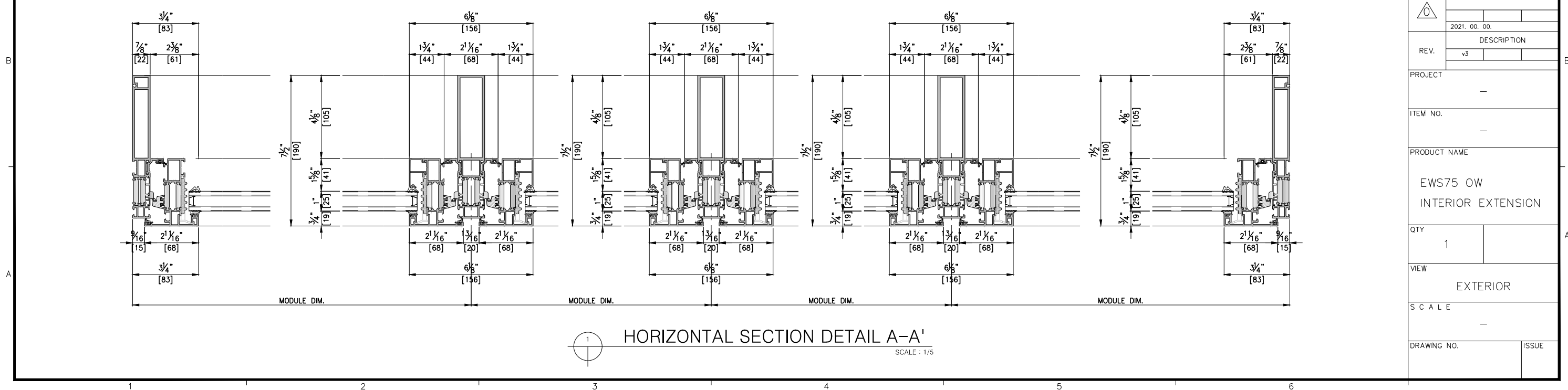
- General Notes
- Elevations are shown from exterior unless otherwise noted
 - Anchor/wall fastener
- Location, spacing and quantity to be determined per design pressure requirements by structural engineer and/or certified test drawings

△			
△			
△			
△			
0	2021.00.00.		
REV.	DESCRIPTION		
v.3			
PROJECT			
-			
ITEM NO.			
-			
PRODUCT NAME			
EWS75 OW INTERIOR EXTENSION			
QTY	1		
VIEW			
EXTERIOR			
SCALE			
-			
DRAWING NO.		ISSUE	



1
ELEVATION
SCALE: 1/30

1
VERTICAL SECTION DETAIL B-B'
SCALE: 1/5



1
HORIZONTAL SECTION DETAIL A-A'
SCALE: 1/5