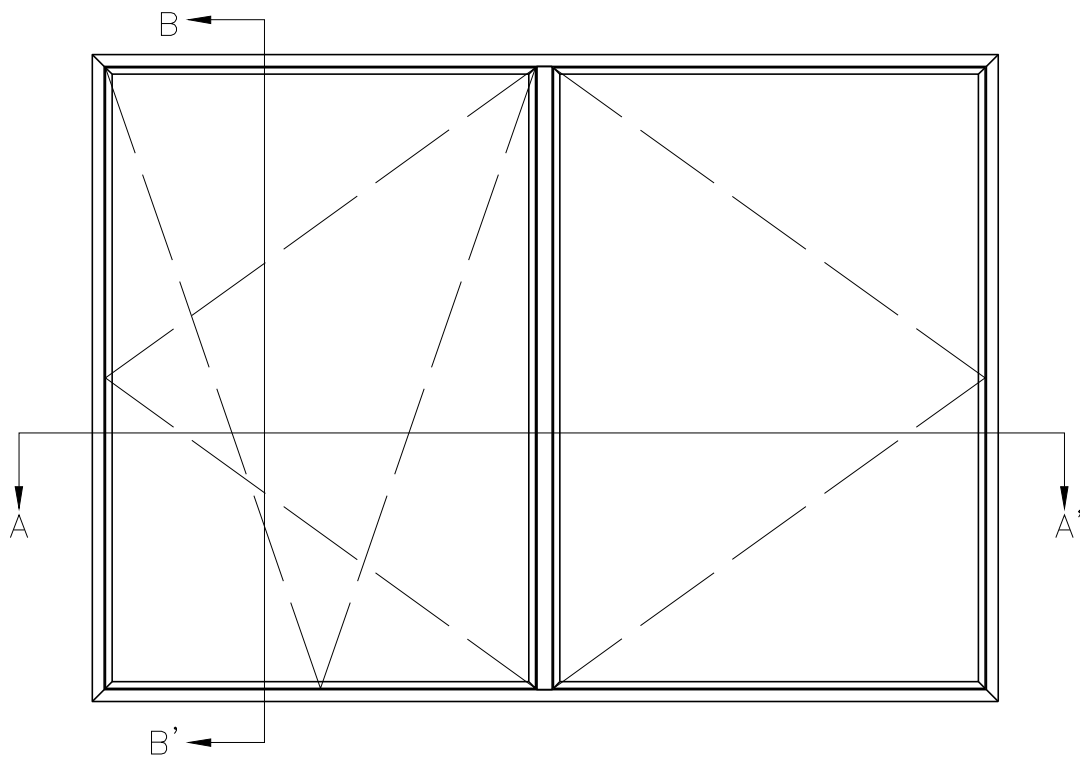


NOTE
XX TYPE NO MULLION

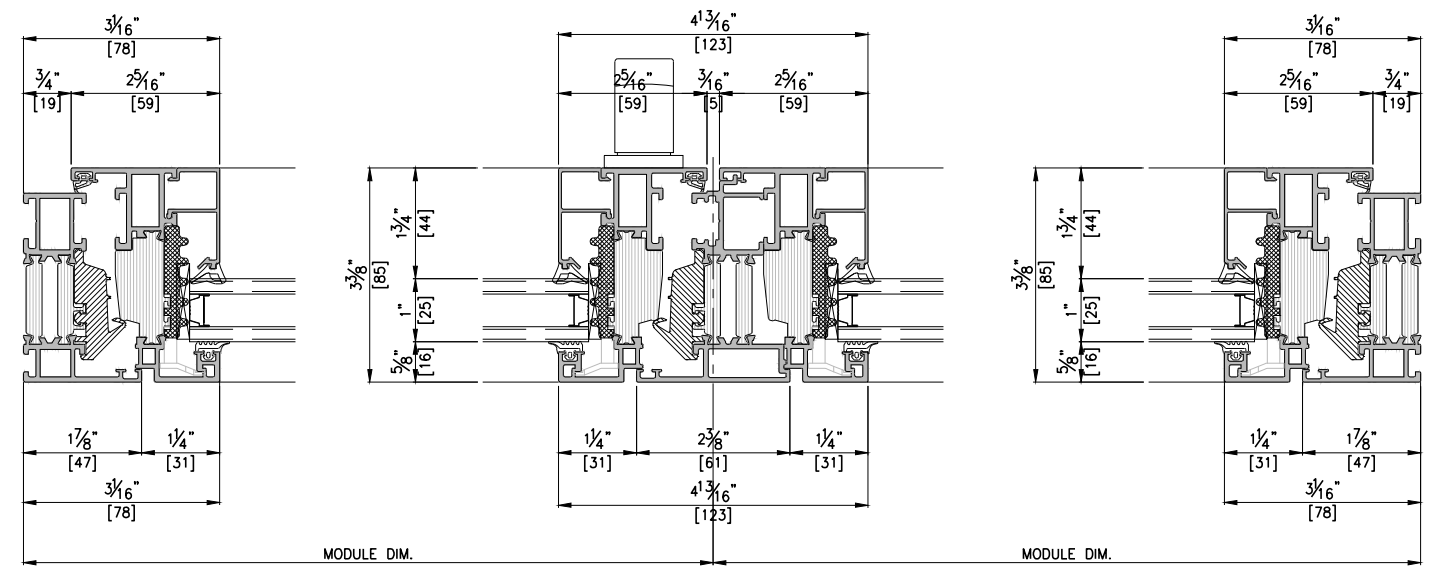
- General Notes
1. Elevations are shown from exterior unless otherwise noted
 2. Anchor/wall fastener – Location, spacing and quantity to be determined per design pressure requirements by structural engineer and/or certified test drawings

△	
△	
△	
△	
△	
0	
REV.	DESCRIPTION
v3	

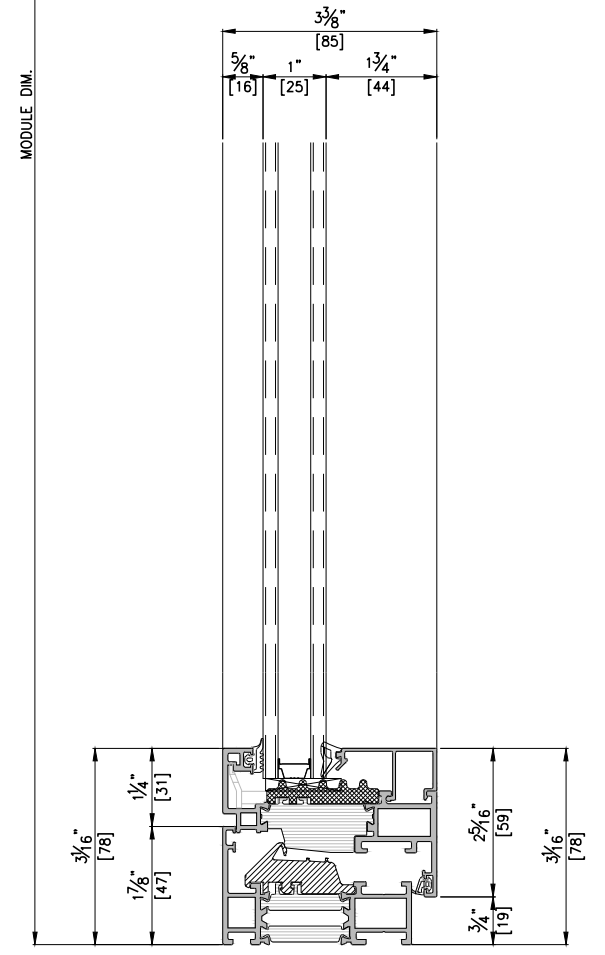
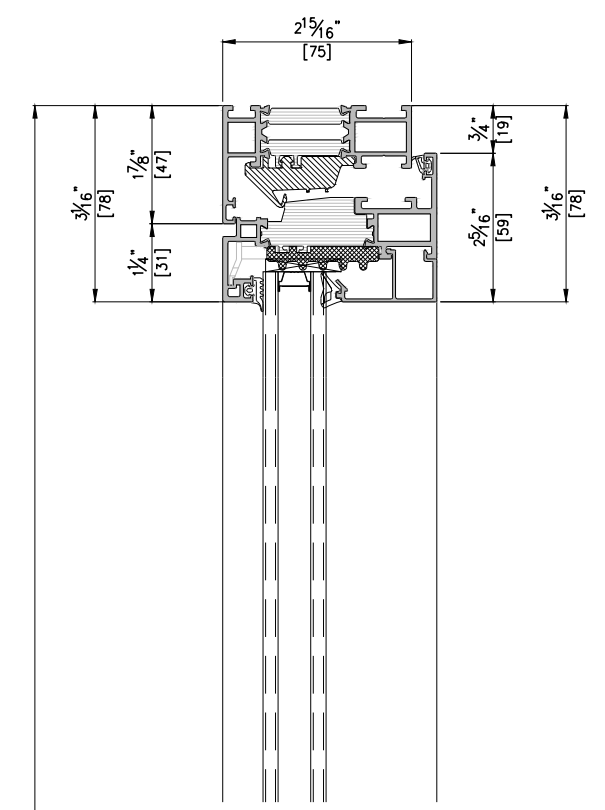
PROJECT	-	
ITEM NO.	-	
PRODUCT NAME	EWS75 TT 19mm	
QTY	1	
VIEW	EXTERIOR	
SCALE	-	
DRAWING NO.		ISSUE



ELEVATION
SCALE : 1/30



HORIZONTAL SECTION DETAIL A-A'
SCALE : 1/3



VERTICAL SECTION DETAIL B-B'
SCALE : 1/3