

NOTE
XO TYPE

- General Notes
- Elevations are shown from exterior unless otherwise noted
 - Anchor/wall fastener – Location, spacing and quantity to be determined per design pressure requirements by structural engineer and/or certified test drawings

| | | | |
|------|---------------|-------------|--|
| △ | | | |
| △ | | | |
| △ | | | |
| △ | | | |
| △ | | | |
| 0 | | | |
| | 2021. 00. 00. | | |
| REV. | | DESCRIPTION | |
| | v.3 | | |

PROJECT

ITEM NO.

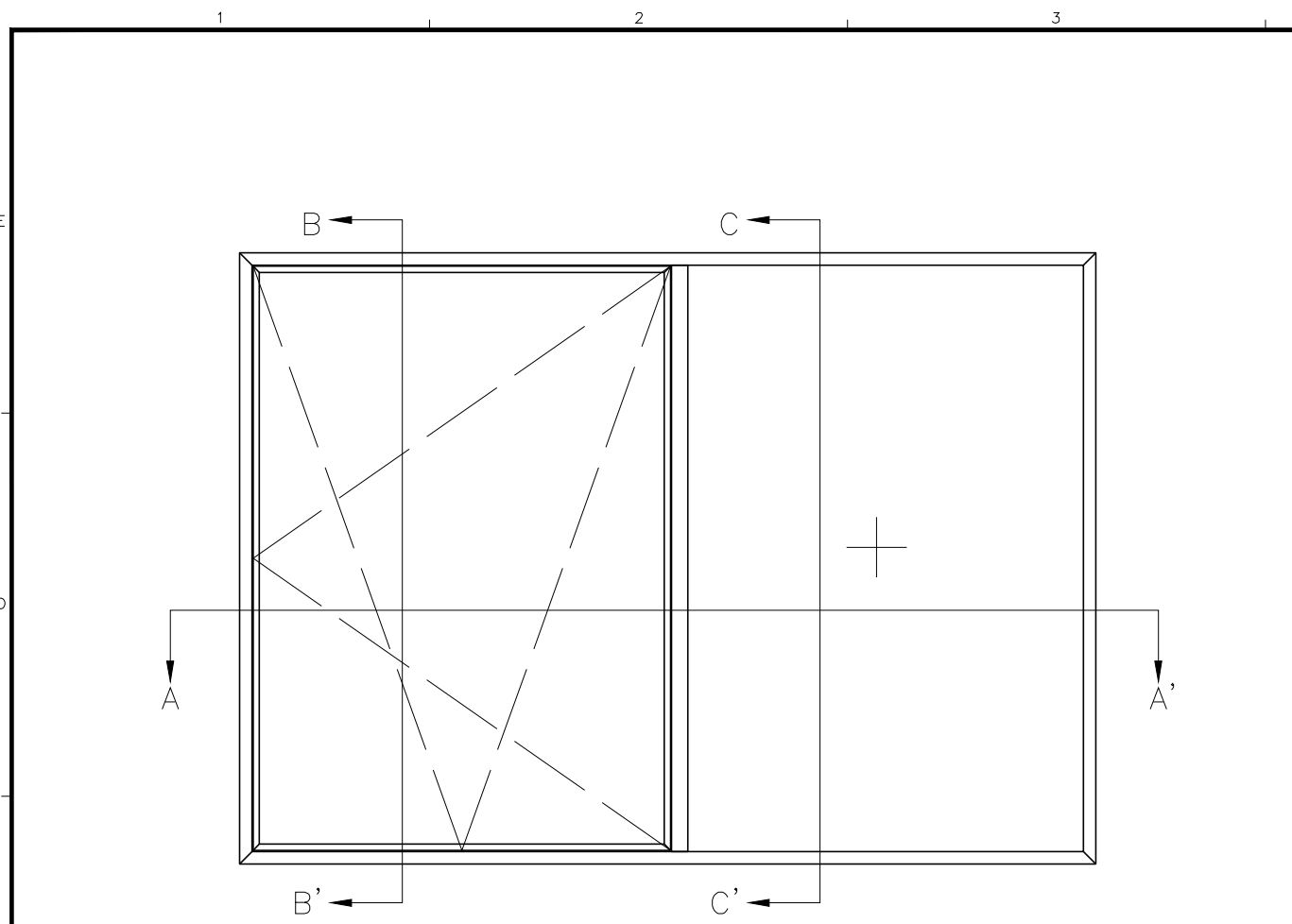
PRODUCT NAME
EWS75 TT 24mm

QTY
1

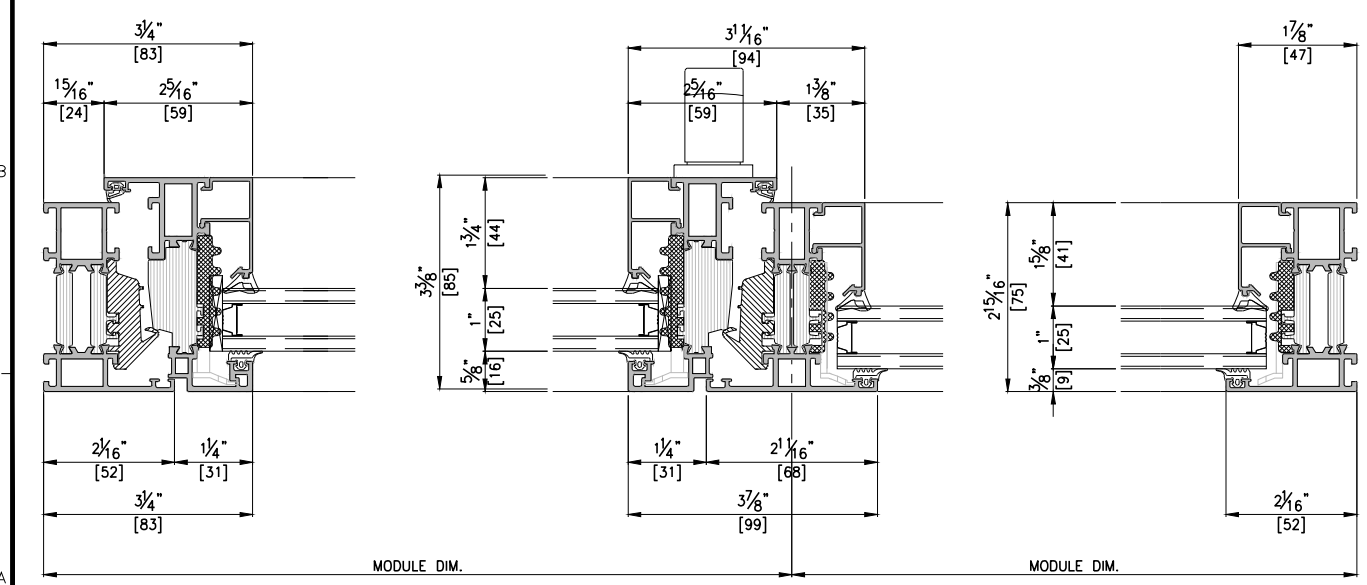
VIEW
EXTERIOR

SCALE

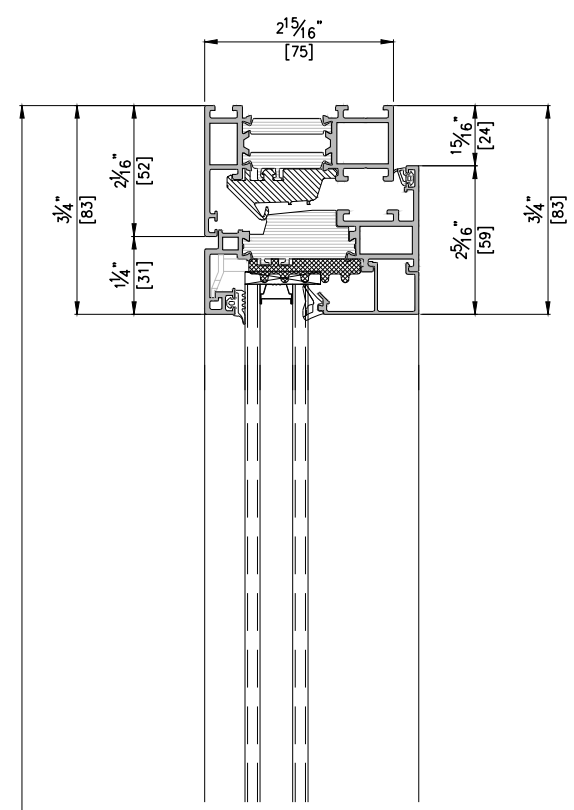
DRAWING NO. ISSUE



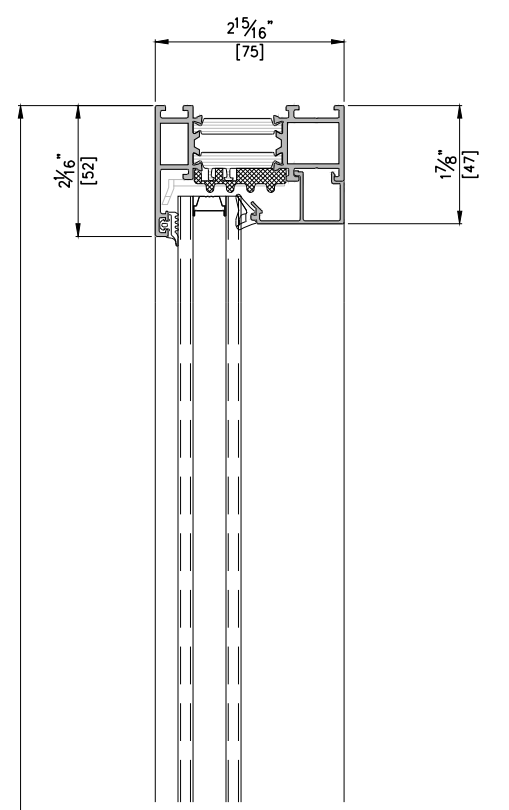
ELEVATION
SCALE : 1/30



HORIZONTAL SECTION DETAIL A-A'
SCALE : 1/3



VERTICAL SECTION DETAIL B-B'
SCALE : 1/3



VERTICAL SECTION DETAIL C-C'
SCALE : 1/3

