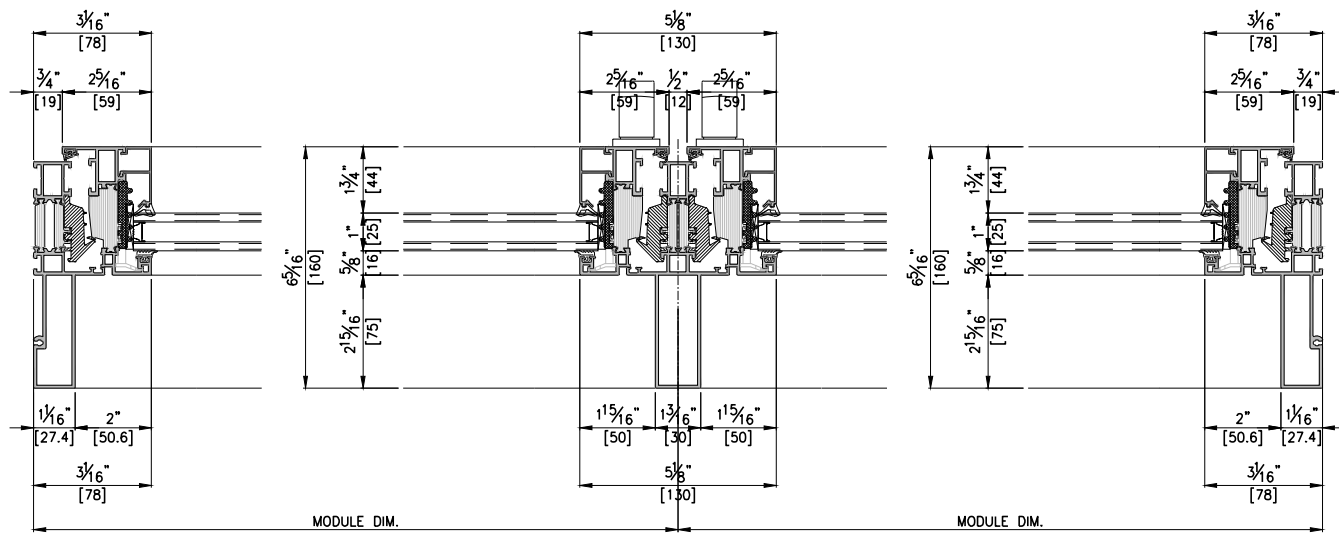
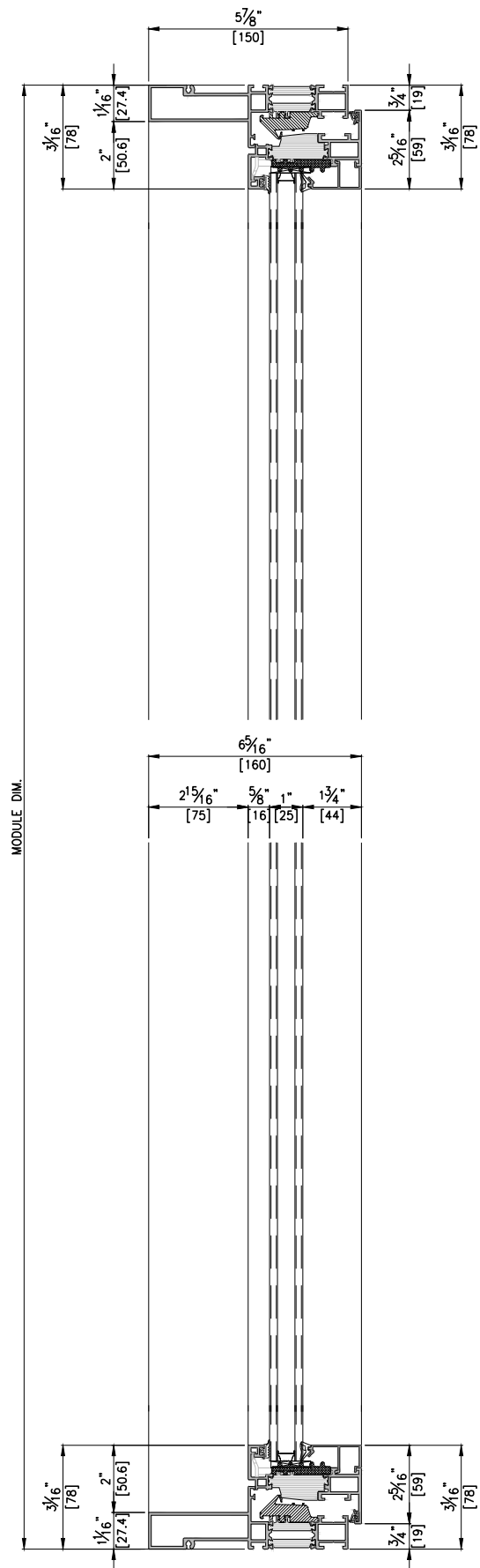


ELEVATION
SCALE: 1/30



HORIZONTAL SECTION DETAIL A-A'
SCALE: 1/5



VERTICAL SECTION DETAIL B-B'
SCALE: 1/5

NOTE
XX TYPE

- General Notes
- Elevations are shown from exterior unless otherwise noted
 - Anchor/wall fastener – Location, spacing and quantity to be determined per design pressure requirements by structural engineer and/or certified test drawings

	2021. 00. 00.		
REV.	DESCRIPTION		
v3			

PROJECT		-	
ITEM NO.		-	
PRODUCT NAME			
EWS75 TT 19mm EXTERIOR EXTENSION			
QTY	1		
VIEW			
EXTERIOR			
SCALE			
-			
DRAWING NO.		ISSUE	