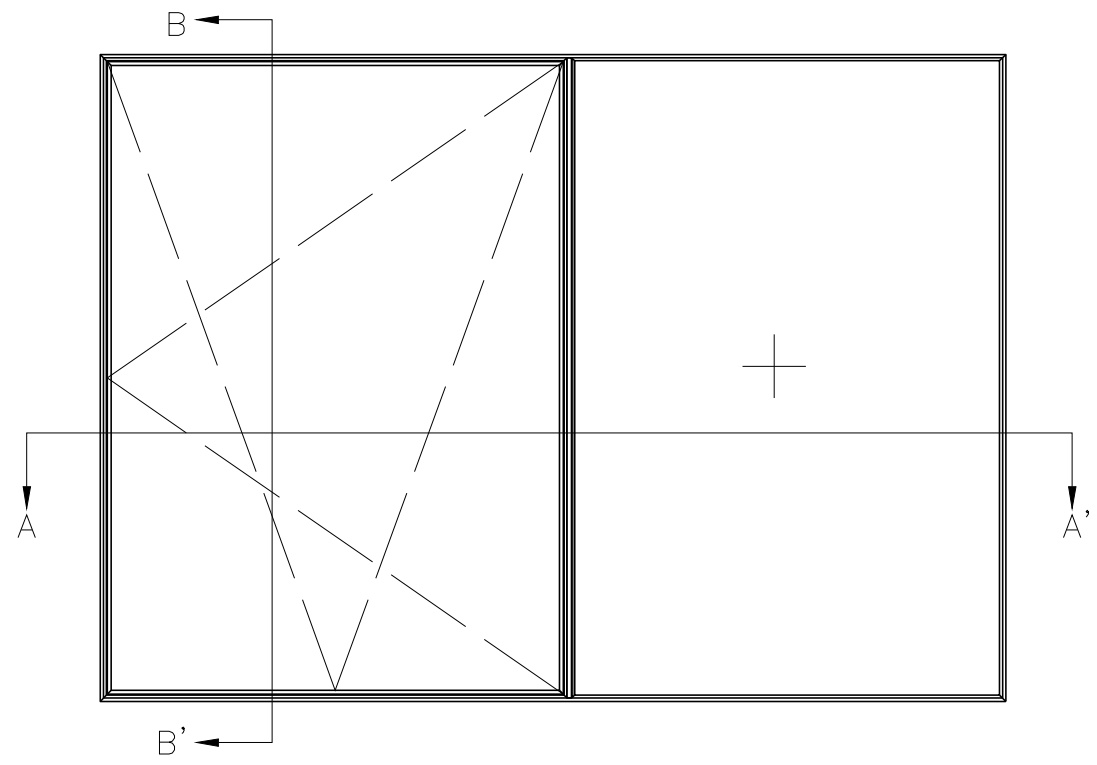


NOTE  
 XO TYPE

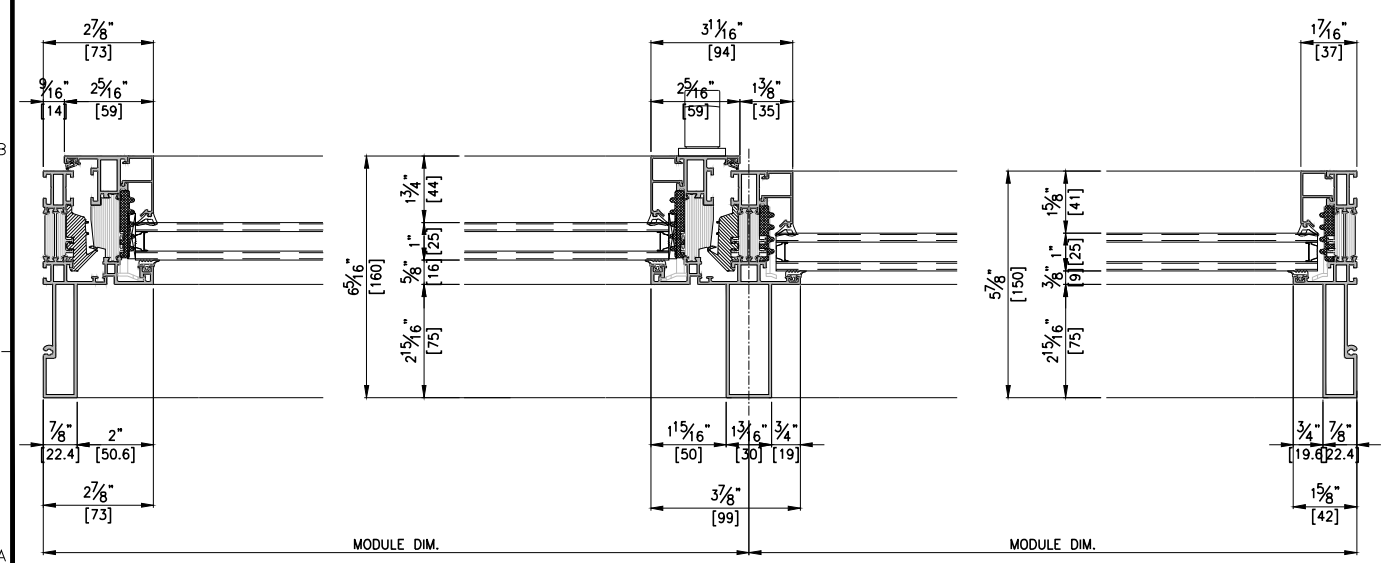
- General Notes
- Elevations are shown from exterior unless otherwise noted
  - Anchor/wall fastener – Location, spacing and quantity to be determined per design pressure requirements by structural engineer and/or certified test drawings

△			
△			
△			
△			
△			
0			
	2021.00.00.		
REV.		DESCRIPTION	
	v3		

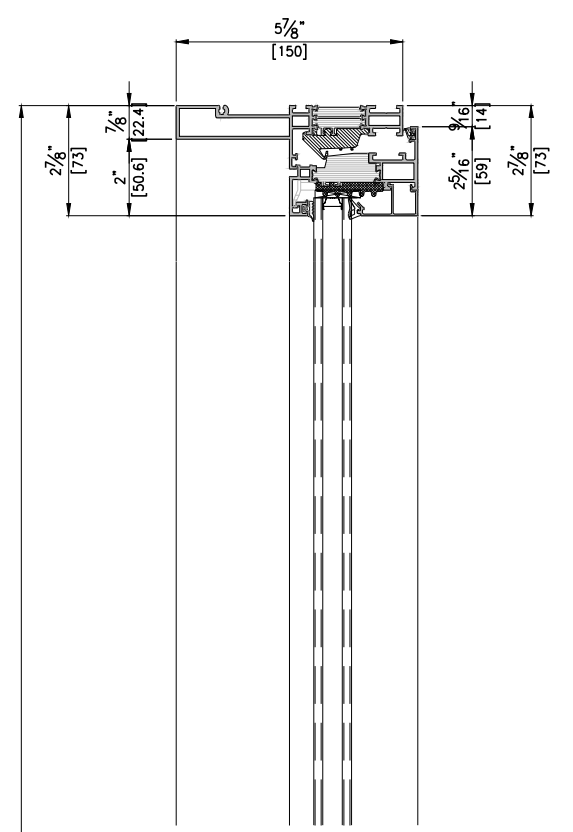
PROJECT	-		
ITEM NO.	-		
PRODUCT NAME	EWS75 TT EXTERIOR EXTENSION		
QTY	1		
VIEW	EXTERIOR		
SCALE	-		
DRAWING NO.		ISSUE	



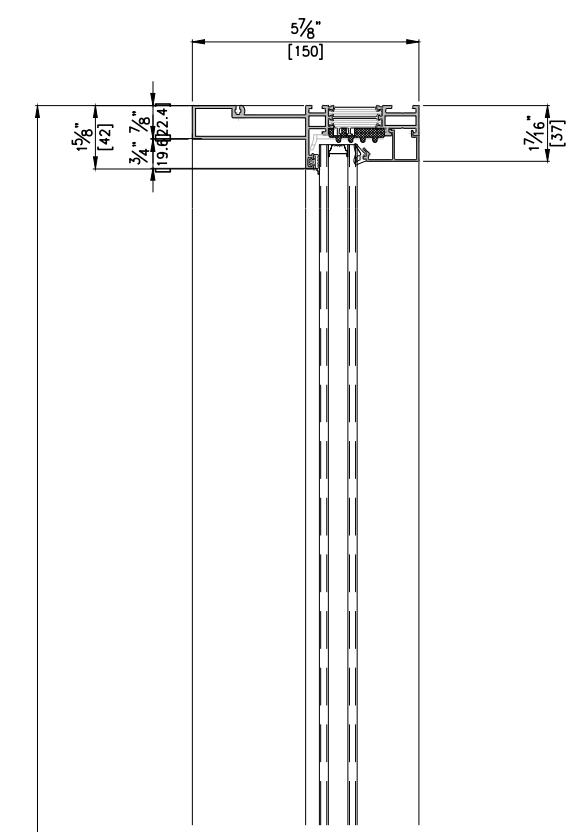
**ELEVATION**  
 SCALE : 1/30



**HORIZONTAL SECTION DETAIL A-A'**  
 SCALE : 1/5



**VERTICAL SECTION DETAIL B-B'**  
 SCALE : 1/5



**VERTICAL SECTION DETAIL C-C'**  
 SCALE : 1/5