

NOTE

XXXX TYPE

General Notes

1. Elevations are shown from exterior unless otherwise noted
2. Anchor/wall fastener - Location, spacing and quantity to be determined per design pressure requirements by structural engineer and/or certified test drawings

△			
△			
△			
△			
△			
0			
	2021. 00. 00.		
REV.	DESCRIPTION		
v.3			

PROJECT

ITEM NO.

PRODUCT NAME

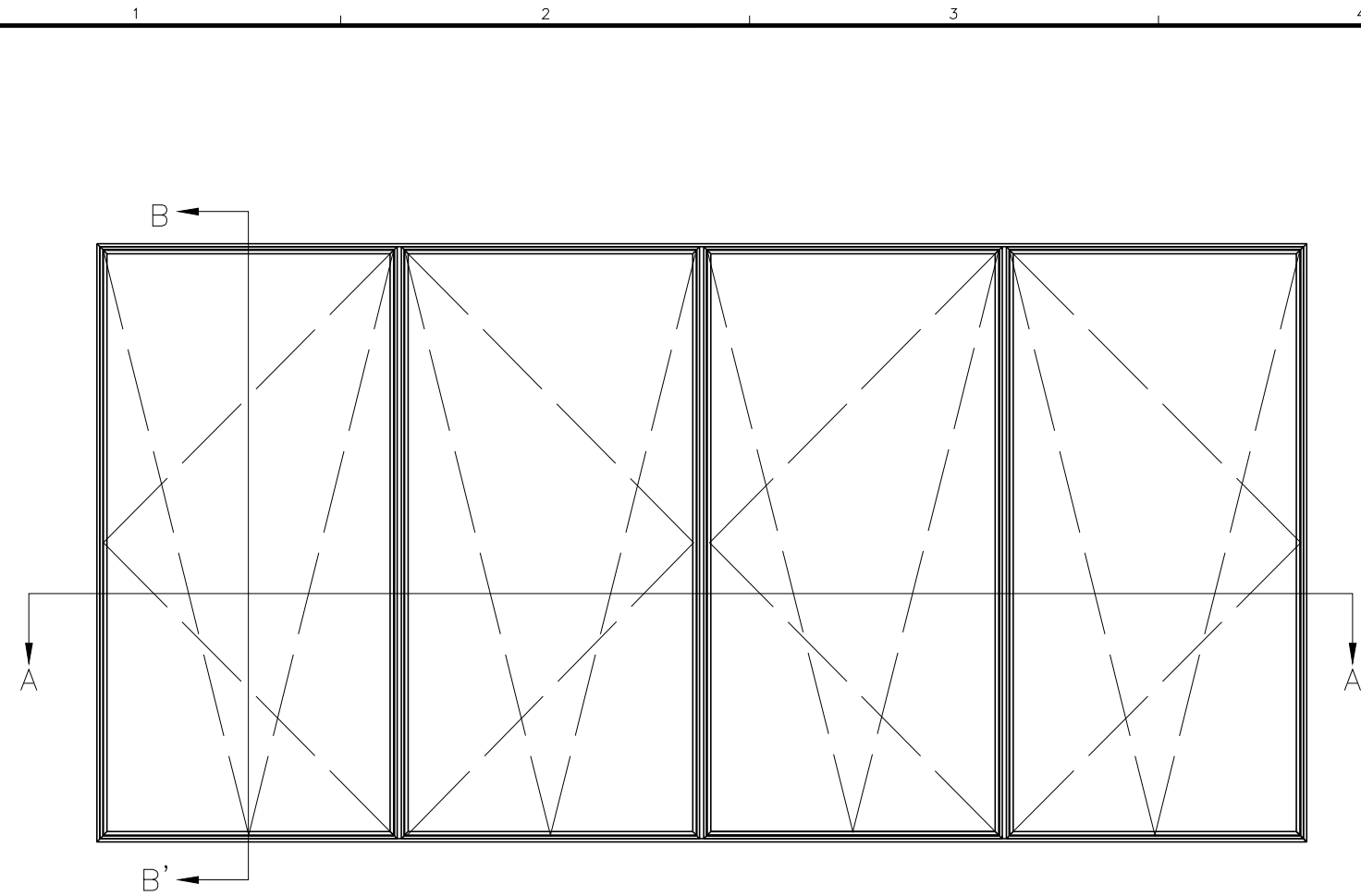
EWS75 TT
EXTERIOR EXTENSION

QTY
1

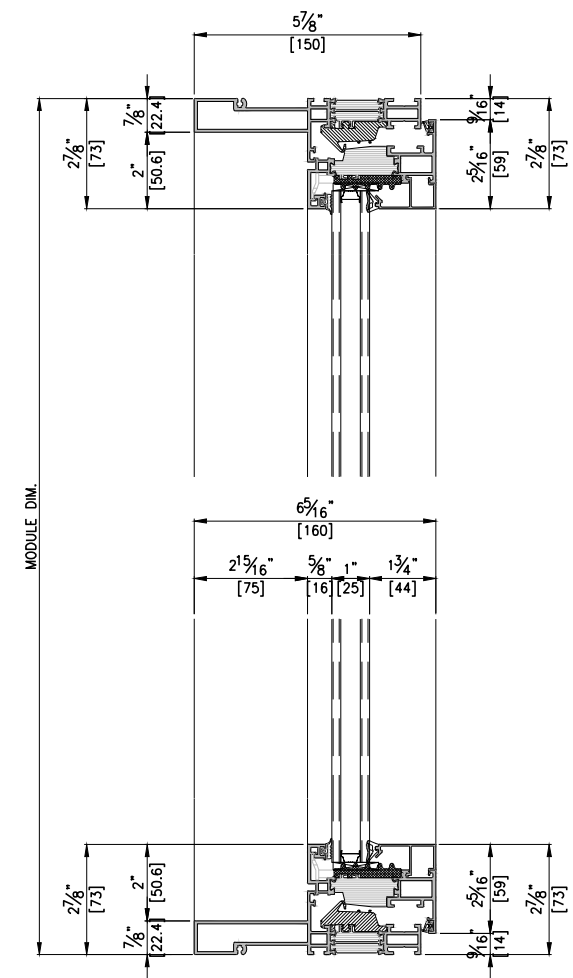
VIEW
EXTERIOR

SCALE
-

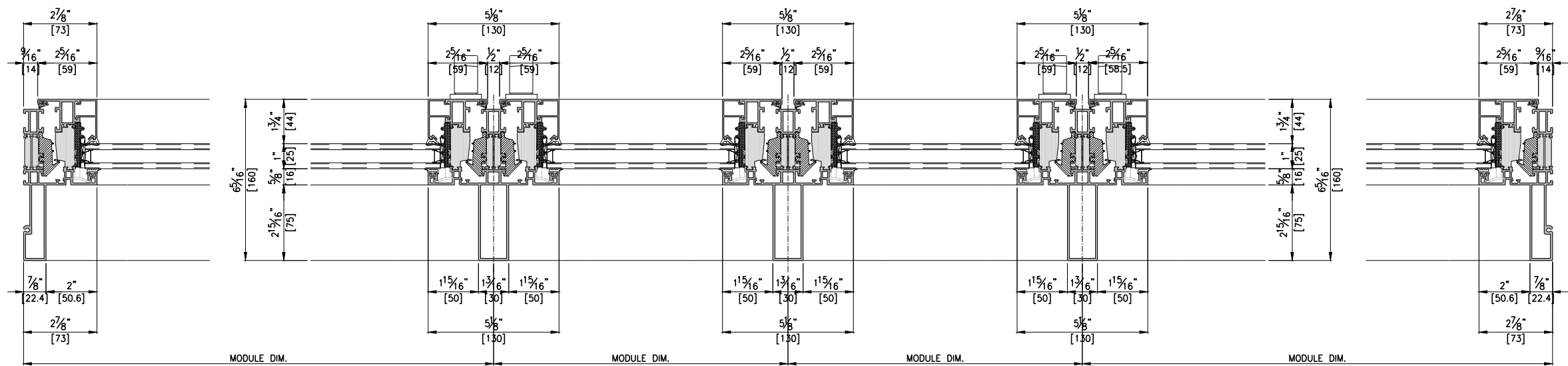
DRAWING NO. ISSUE



1 ELEVATION
SCALE : 1/30



1 VERTICAL SECTION DETAIL B-B'
SCALE : 1/5



1 HORIZONTAL SECTION DETAIL A-A'
SCALE : 1/5