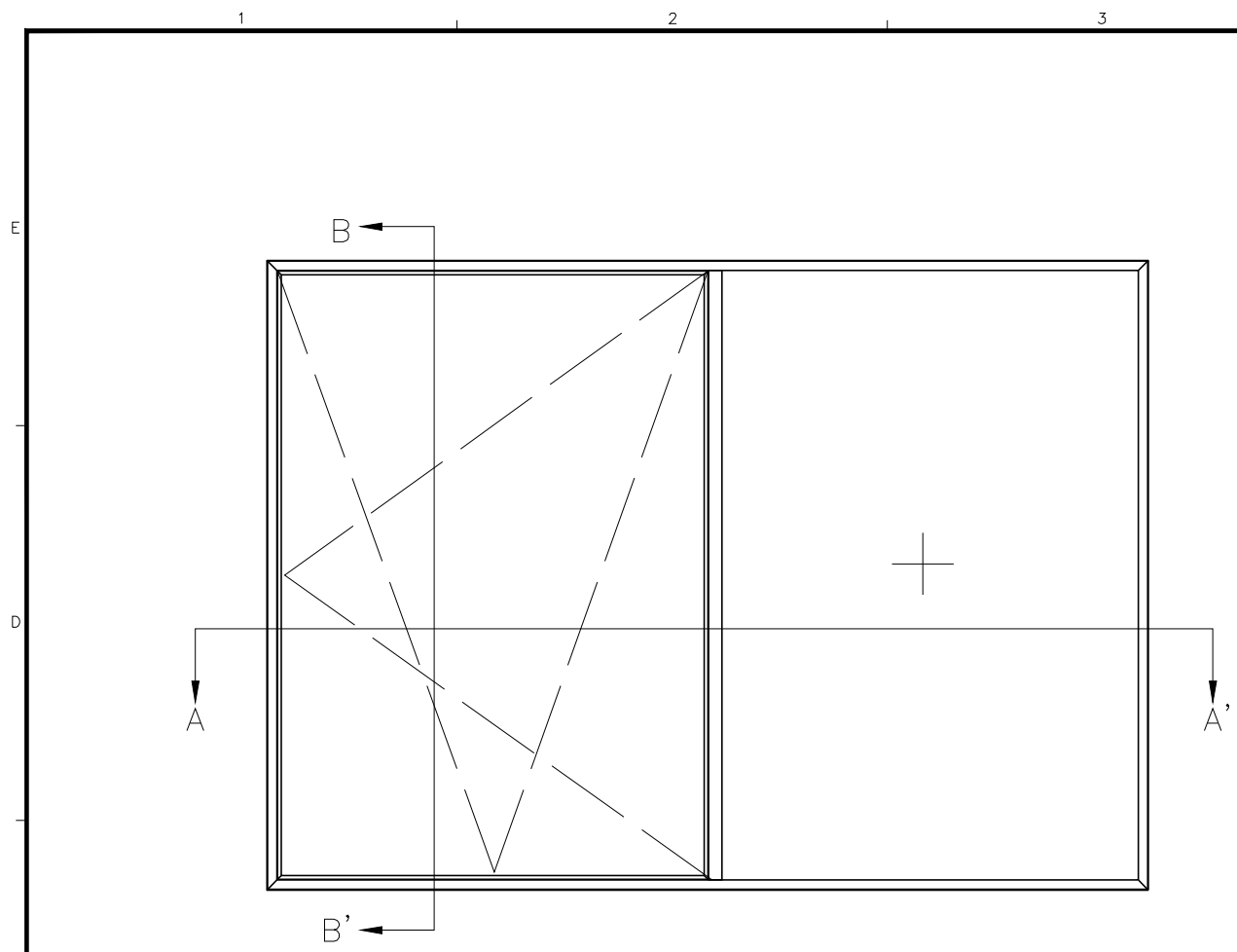


NOTE
 XO TYPE

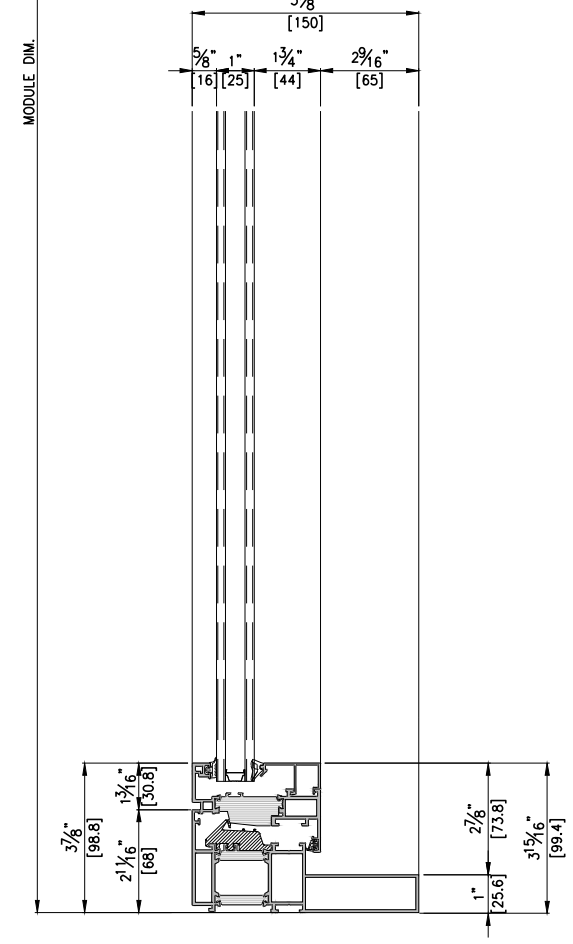
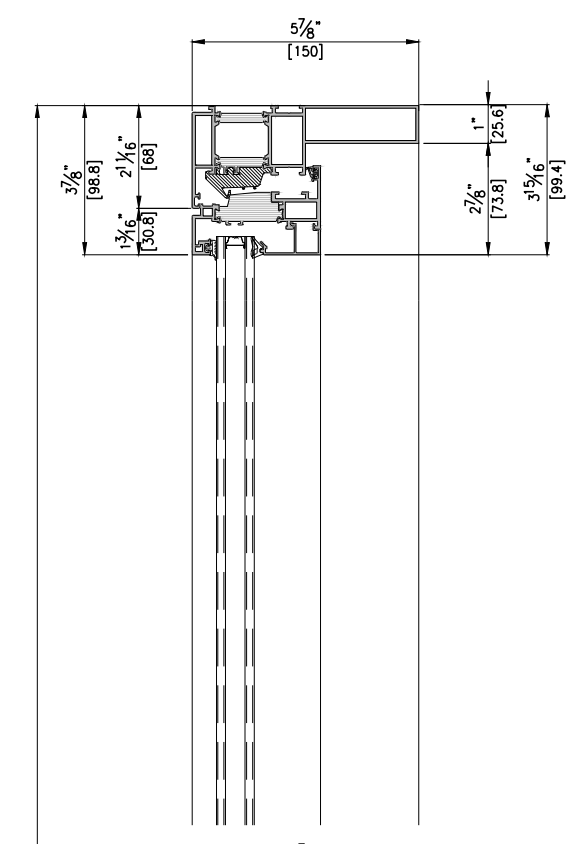
General Notes
 1. Elevations are shown from exterior unless otherwise noted
 2. Anchor/wall fastener - Location, spacing and quantity to be determined per design pressure requirements by structural engineer and/or certified test drawings

△		
△		
△		
△		
△		
○		
	2021.00.00.	
REV.	DESCRIPTION	
v3		

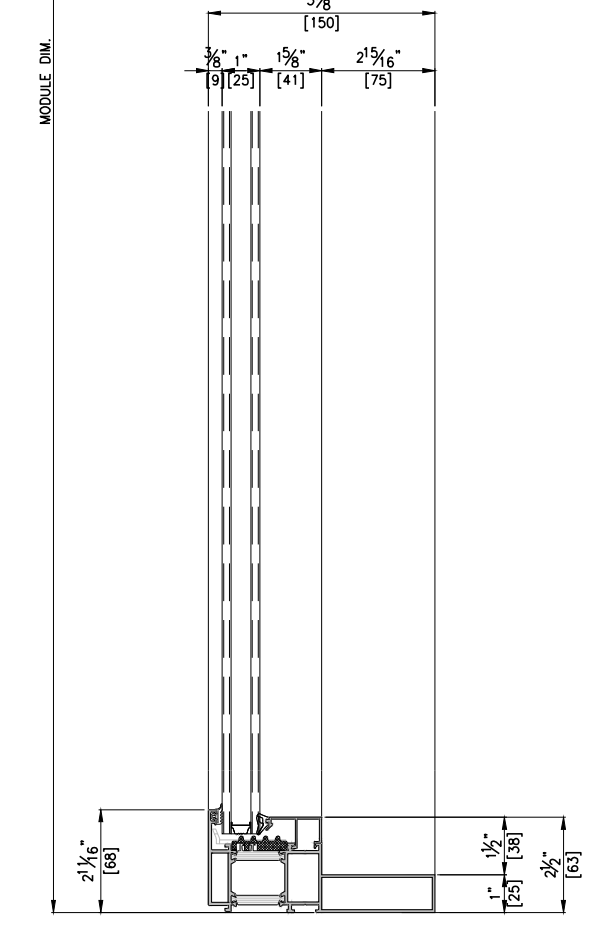
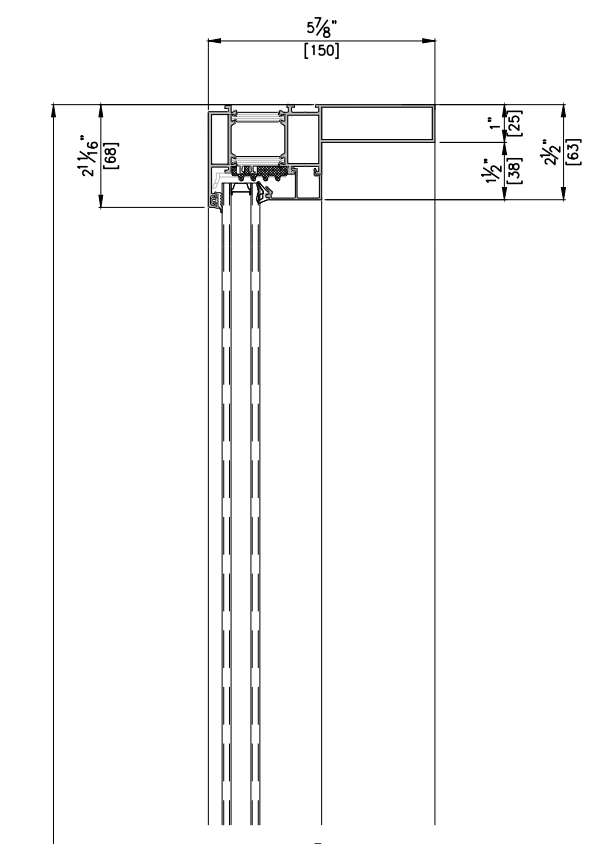
PROJECT	-	
ITEM NO.		
PRODUCT NAME	EWS75 TT INTERIOR EXTENSION	
QTY	1	
VIEW	EXTERIOR	
SCALE	-	
DRAWING NO.		ISSUE



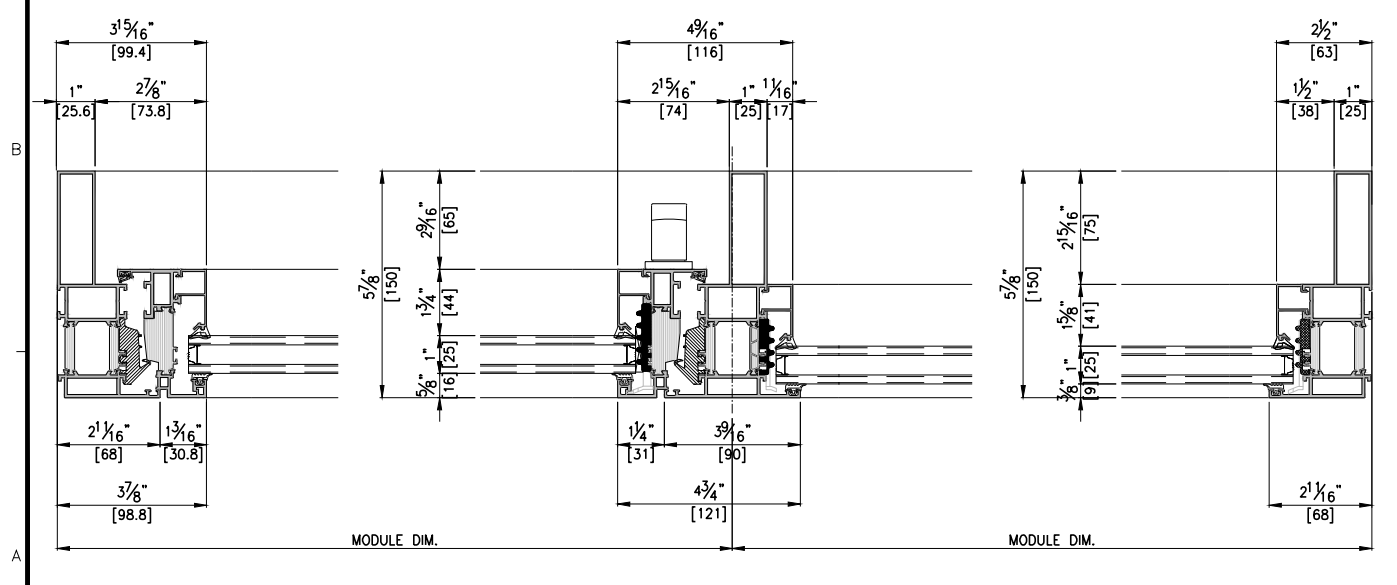
ELEVATION
 SCALE: 1/30



VERTICAL SECTION DETAIL B-B'
 SCALE: 1/5



VERTICAL SECTION DETAIL C-C'
 SCALE: 1/5



HORIZONTAL SECTION DETAIL A-A'
 SCALE: 1/5