

NOTE  
XX TYPE

- General Notes
- Elevations are shown from exterior unless otherwise noted
  - Anchor/wall fastener – Location, spacing and quantity to be determined per design pressure requirements by structural engineer and/or certified test drawings

△			
△			
△			
△			
△			
0			
REV.	2021. 00. 00.	DESCRIPTION	
	v3		

PROJECT  
-

ITEM NO.

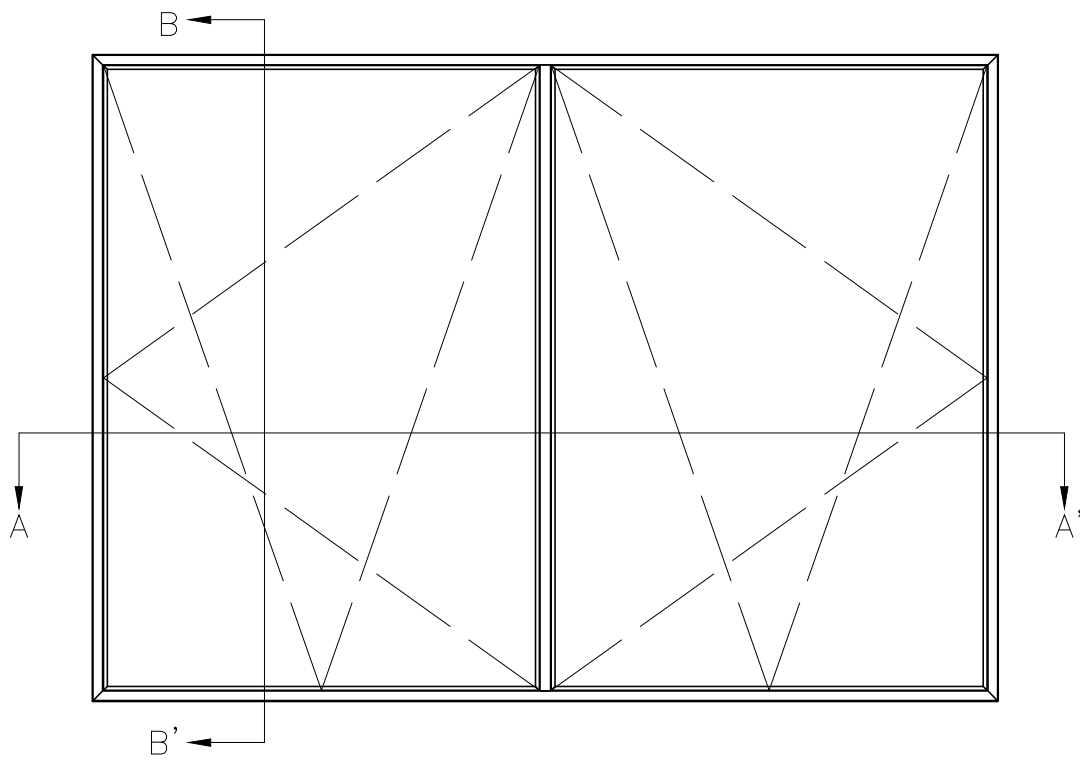
PRODUCT NAME  
EWS75 TT  
INTERIOR EXTENSION

QTY  
1

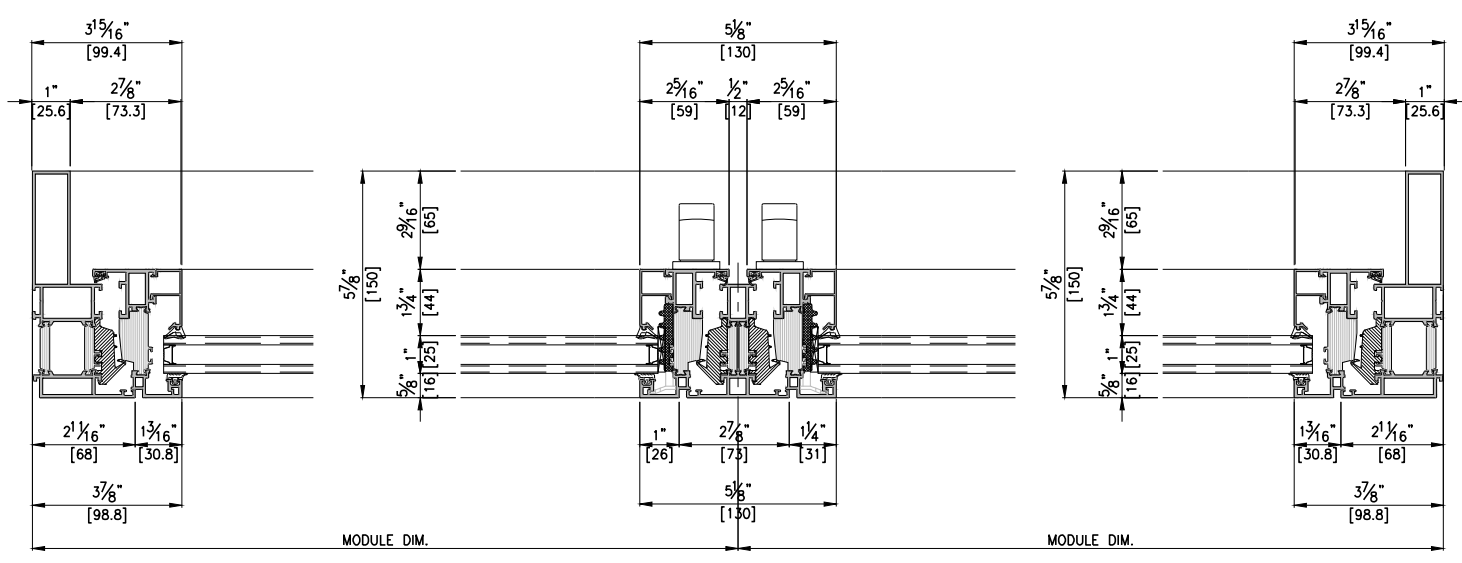
VIEW  
EXTERIOR

SCALE  
-

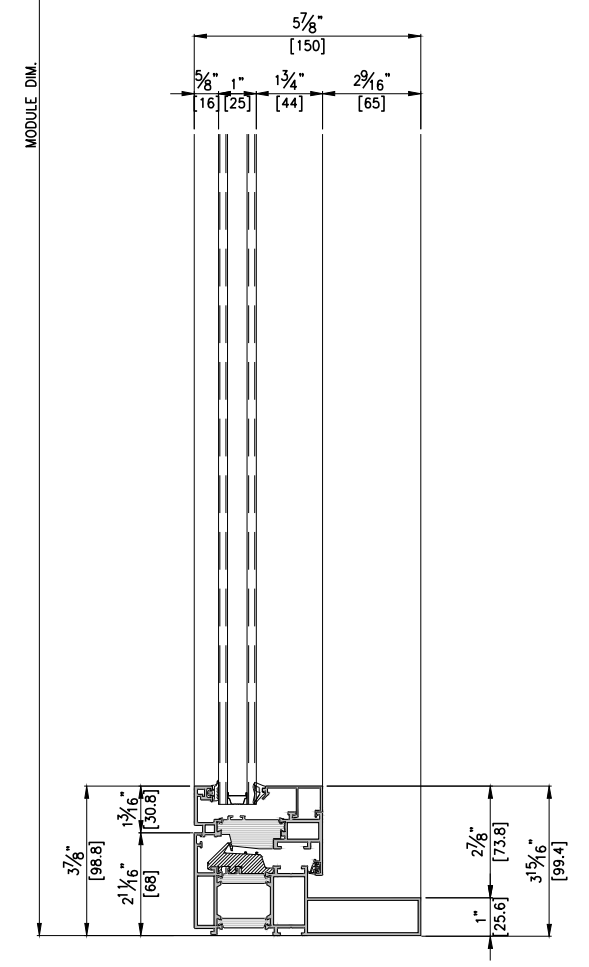
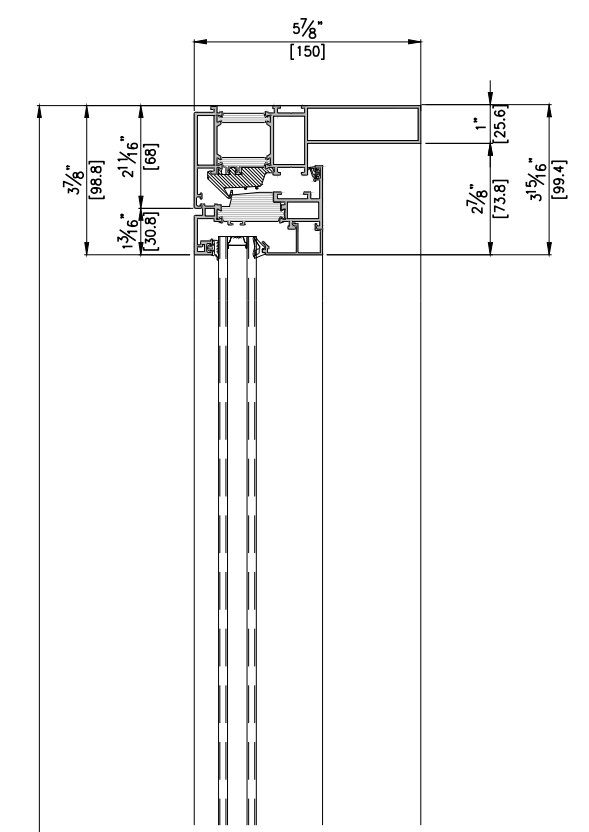
DRAWING NO. ISSUE



**ELEVATION**  
SCALE : 1/30



**HORIZONTAL SECTION DETAIL A-A'**  
SCALE : 1/5



**VERTICAL SECTION DETAIL B-B'**  
SCALE : 1/5