

NOTE
XX TYPE NO MULLION

General Notes

1. Elevations are shown from exterior unless otherwise noted
2. Anchor/wall fastener
- Location, spacing and quantity to be determined per design pressure requirements by structural engineer and/or certified test drawings

| | 2021. 00. 00. | |
|------|---------------|--|
| REV. | DESCRIPTION | |
| v3 | | |

PROJECT

ITEM NO.

PRODUCT NAME

EWS75 TT
INTERIOR EXTENSION

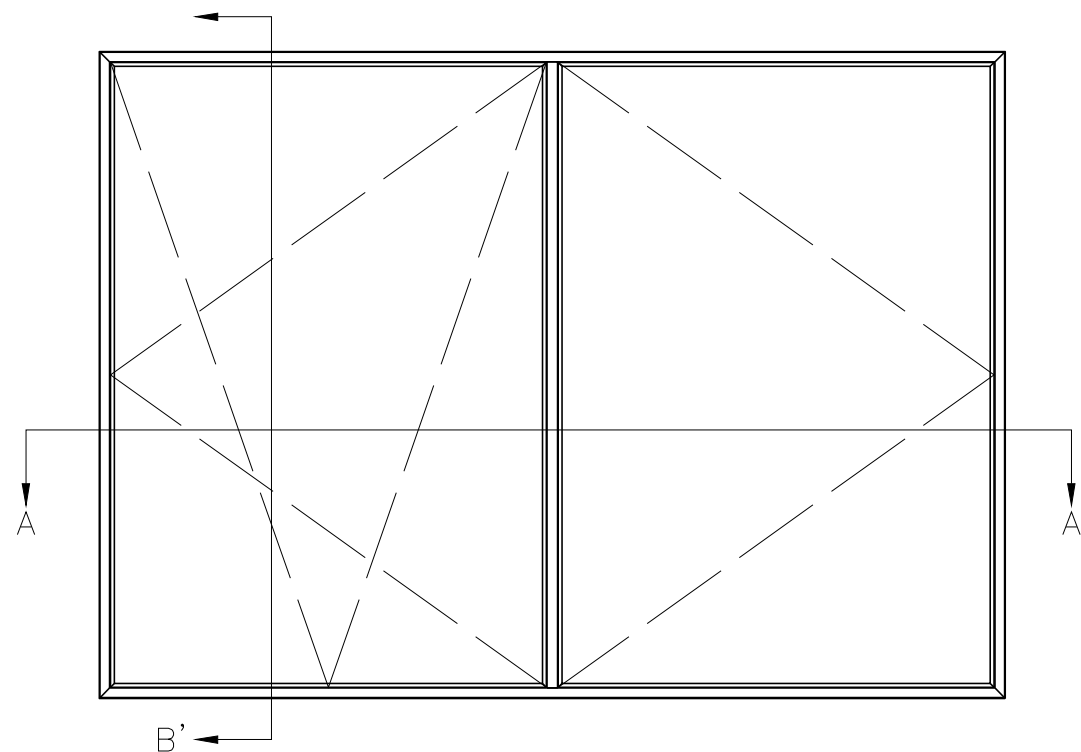
QTY
1

VIEW
EXTERIOR

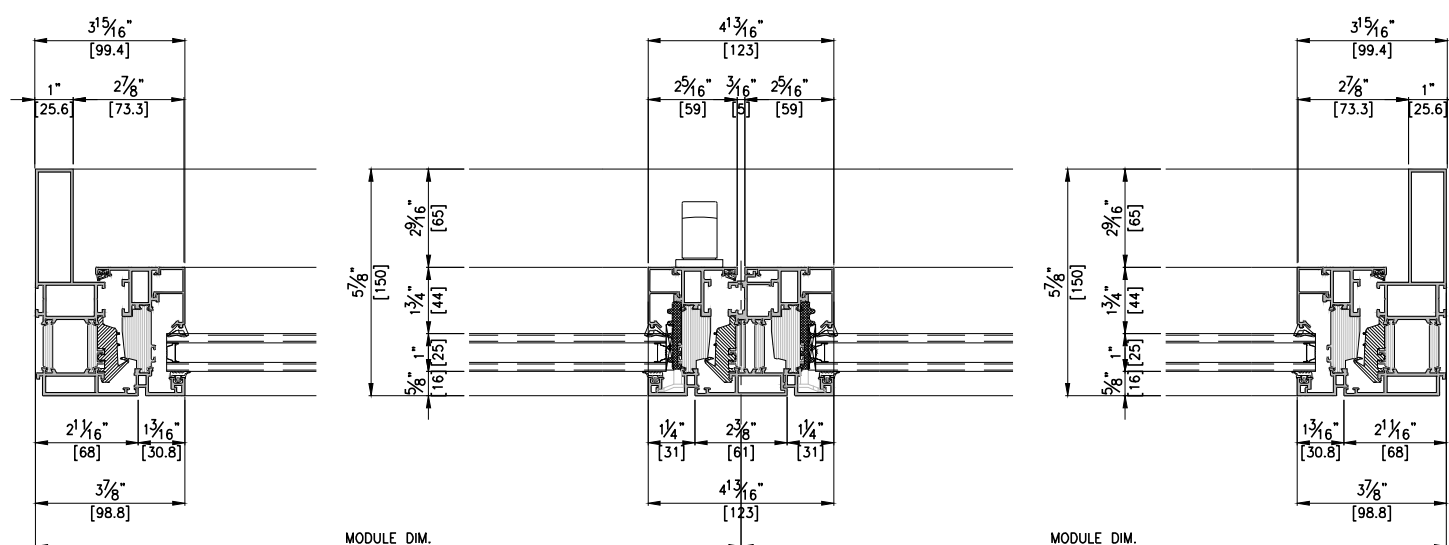
SCALE

DRAWING NO.

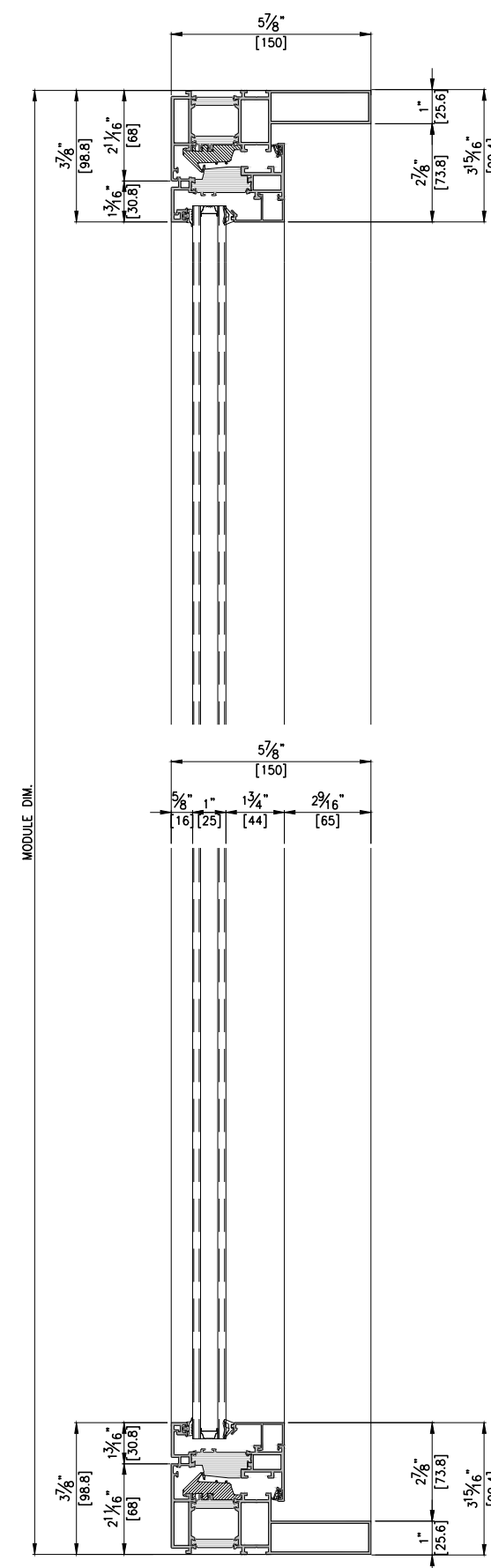
ISSUE



ELEVATION
SCALE : 1/30



HORIZONTAL SECTION DETAIL A-A'
SCALE : 1/5



VERTICAL SECTION DETAIL B-B'
SCALE : 1/5