

NOTE
XXXX TYPE

- General Notes
1. Elevations are shown from exterior unless otherwise noted
 2. Anchor/wall fastener
- Location, spacing and quantity to be determined per design pressure requirements by structural engineer and/or certified test drawings

△		
△		
△		
△		

△		
△		
△		
△		
△		
△		
△		
△		

REV.	DESCRIPTION
v.3	

PROJECT
-

ITEM NO.

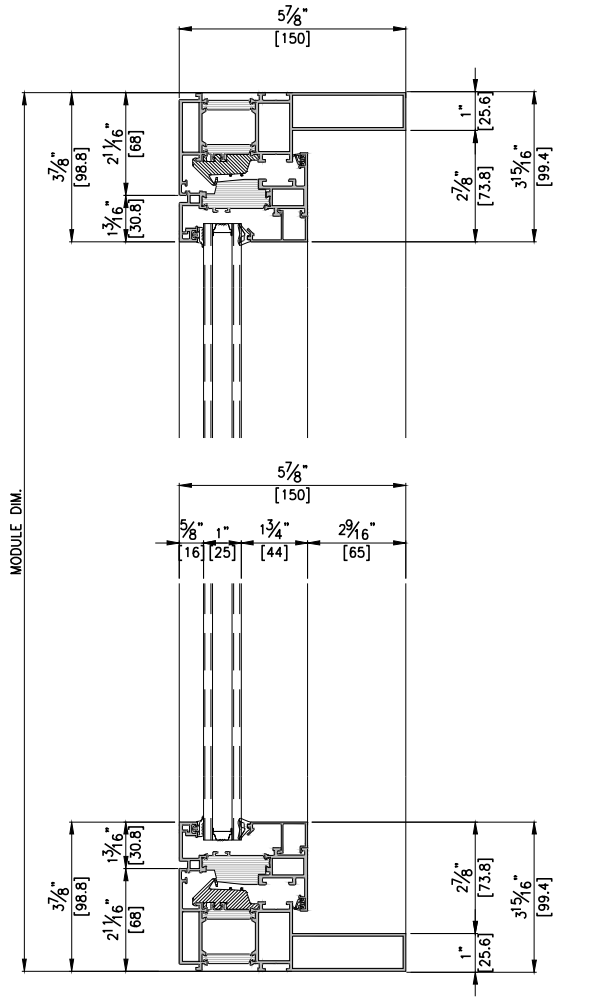
PRODUCT NAME
EWS75 TT
INTERIOR EXTENSION

QTY
1

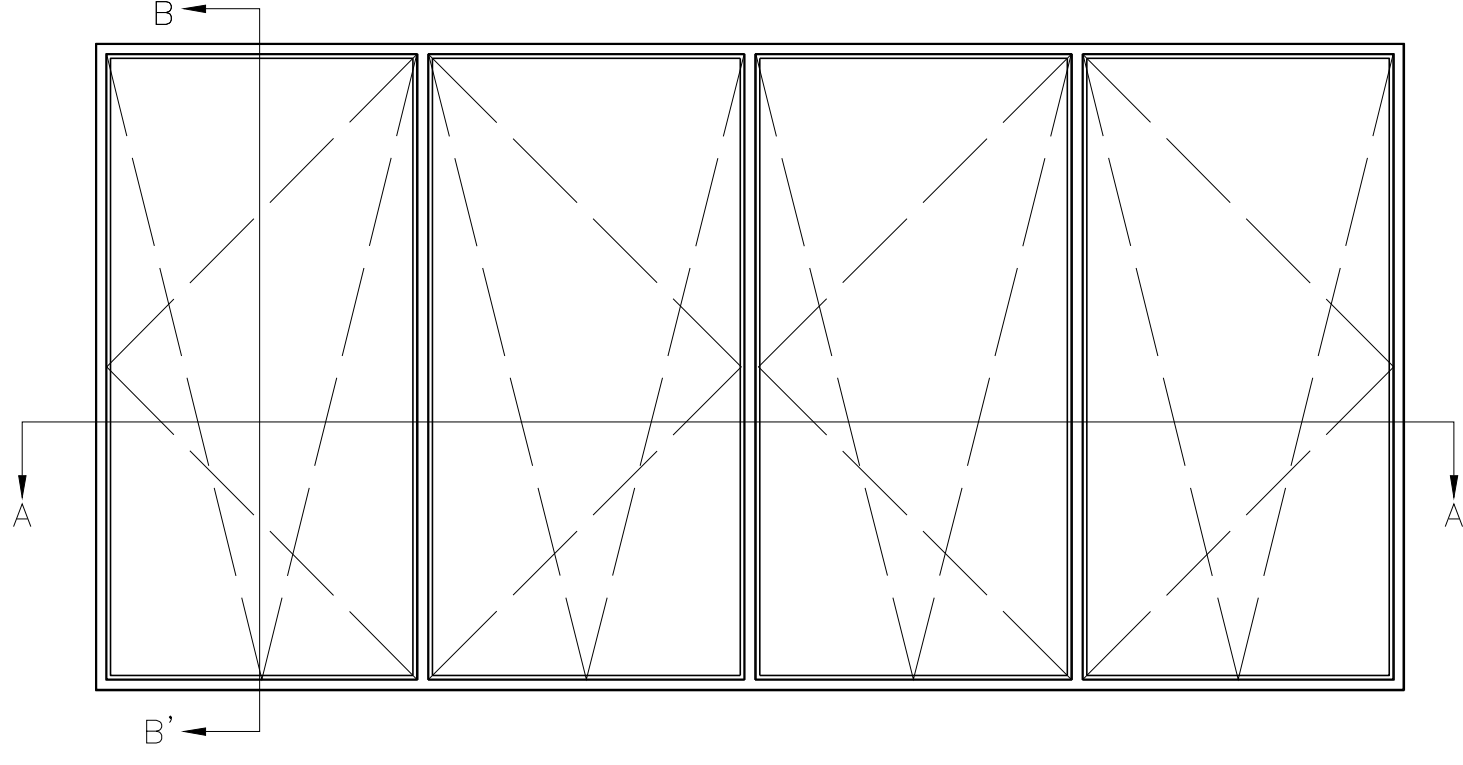
VIEW
EXTERIOR

SCALE
-

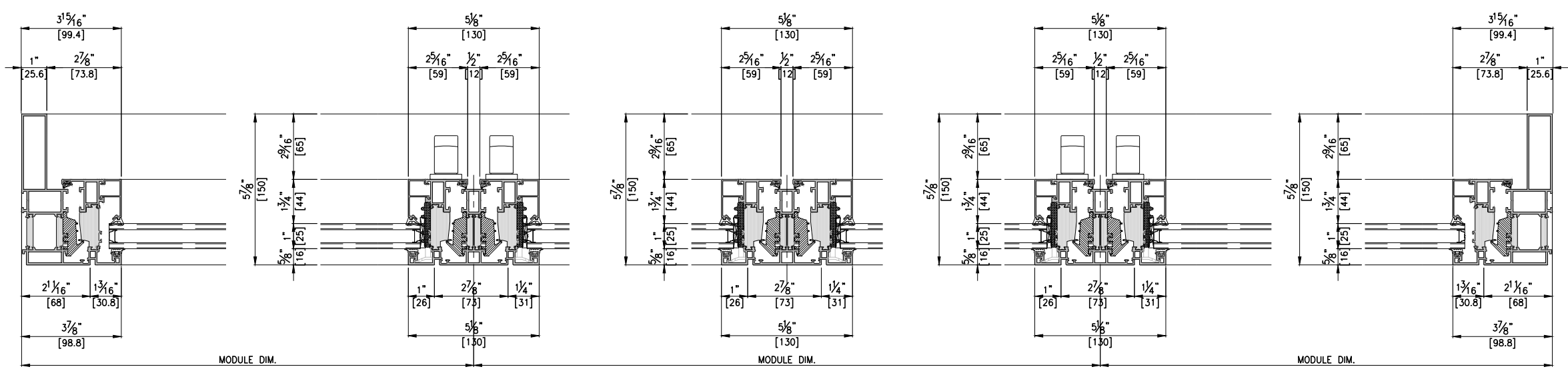
DRAWING NO. ISSUE



VERTICAL SECTION DETAIL B-B'
SCALE: 1/5



ELEVATION
SCALE: 1/30



HORIZONTAL SECTION DETAIL A-A'
SCALE: 1/5