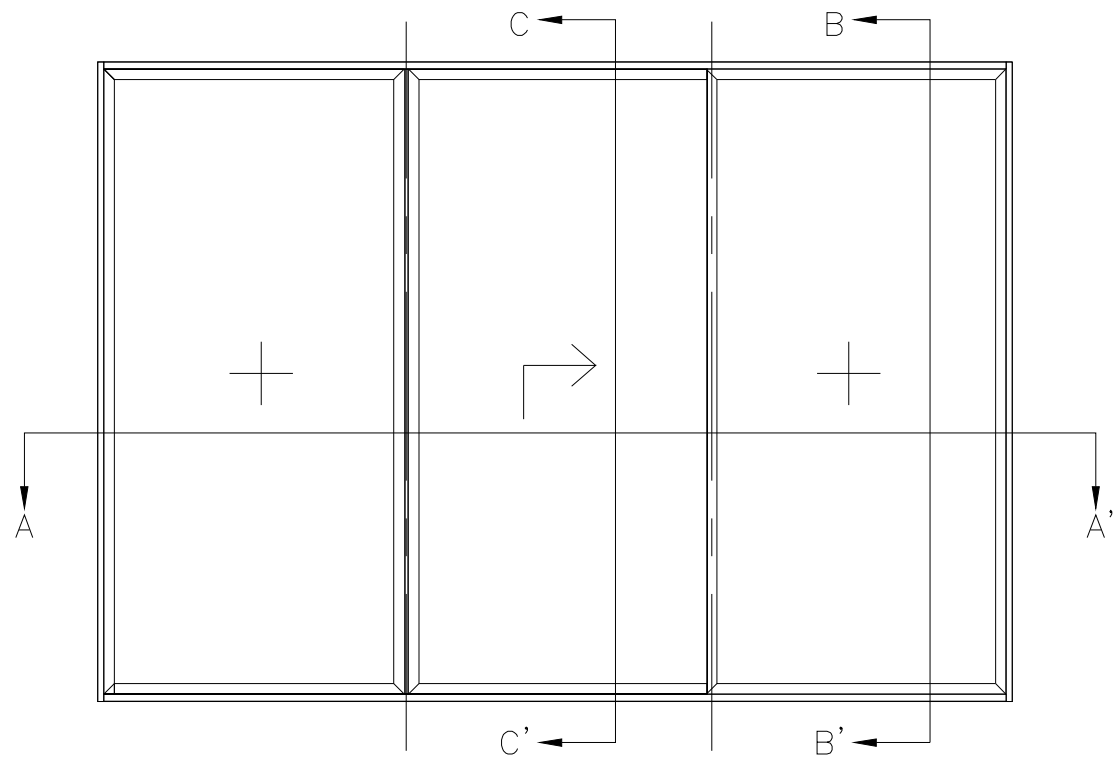


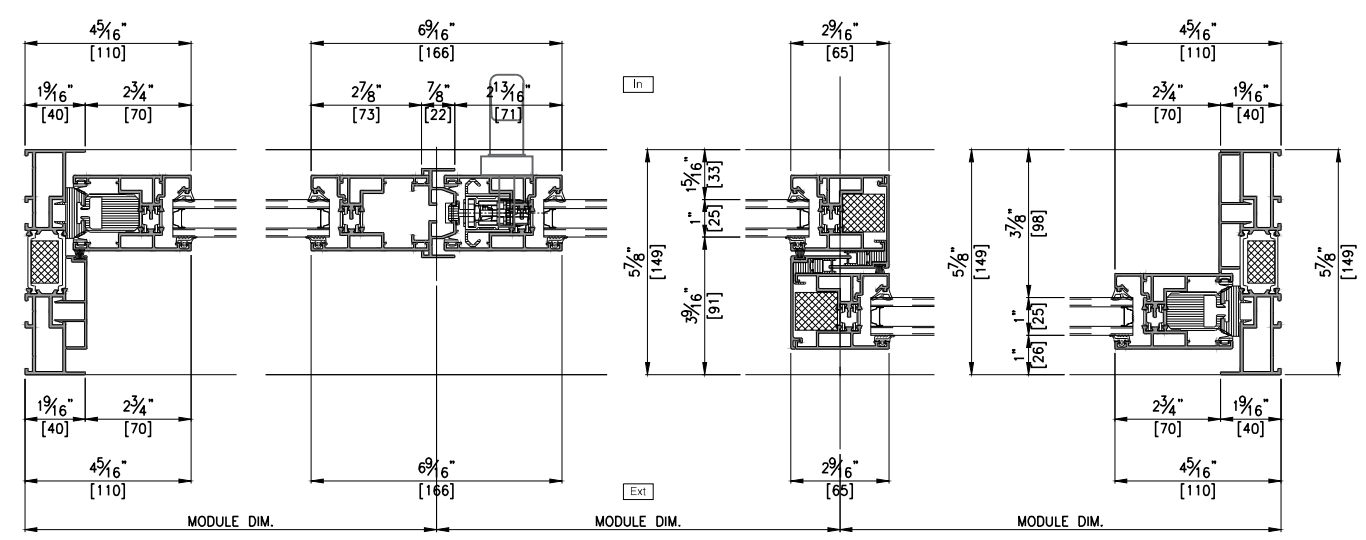
NOTE
OXO TYPE

- General Notes
- Elevations are shown from exterior unless otherwise noted
 - Anchor/wall fastener – Location, spacing and quantity to be determined per design pressure requirements by structural engineer and/or certified test drawings

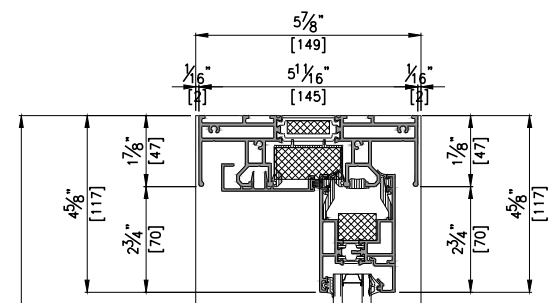
△			
△			
△			
△			
△			
2021.00.00.			
REV.	DESCRIPTION	DATE	
v2			
PROJECT			
-			
ITEM NO.			
-			
PRODUCT NAME			
ESS145 LS			
QTY			
1			
VIEW			
EXTERIOR			
SCALE			
-			
DRAWING NO.		ISSUE	



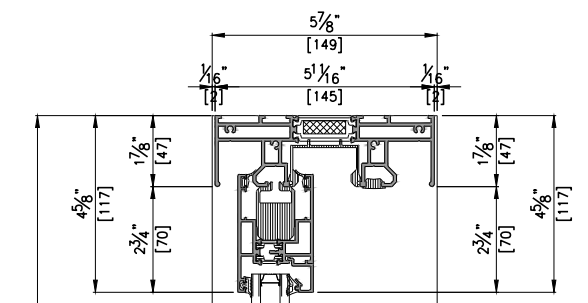
ELEVATION
SCALE : 1/30



HORIZONTAL SECTION DETAIL A-A'
SCALE : 1/5



VERTICAL SECTION DETAIL B-B'
SCALE : 1/5



VERTICAL SECTION DETAIL C-C'
SCALE : 1/5

