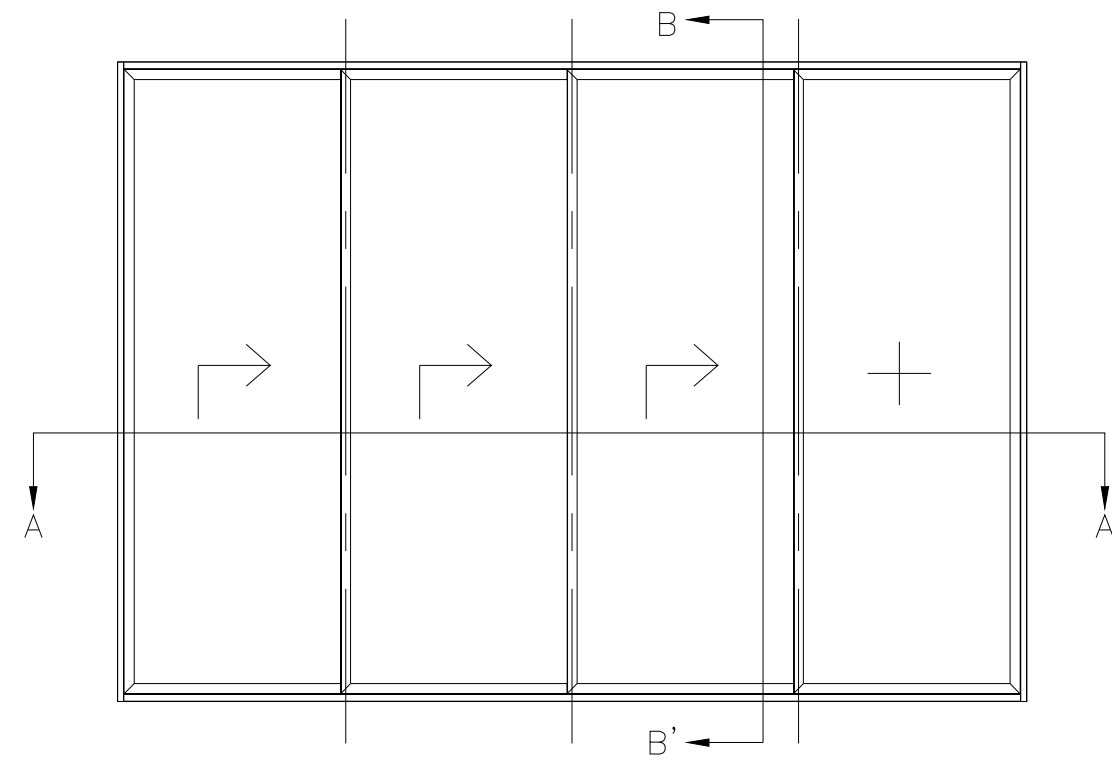


NOTE
XXXO TYPE

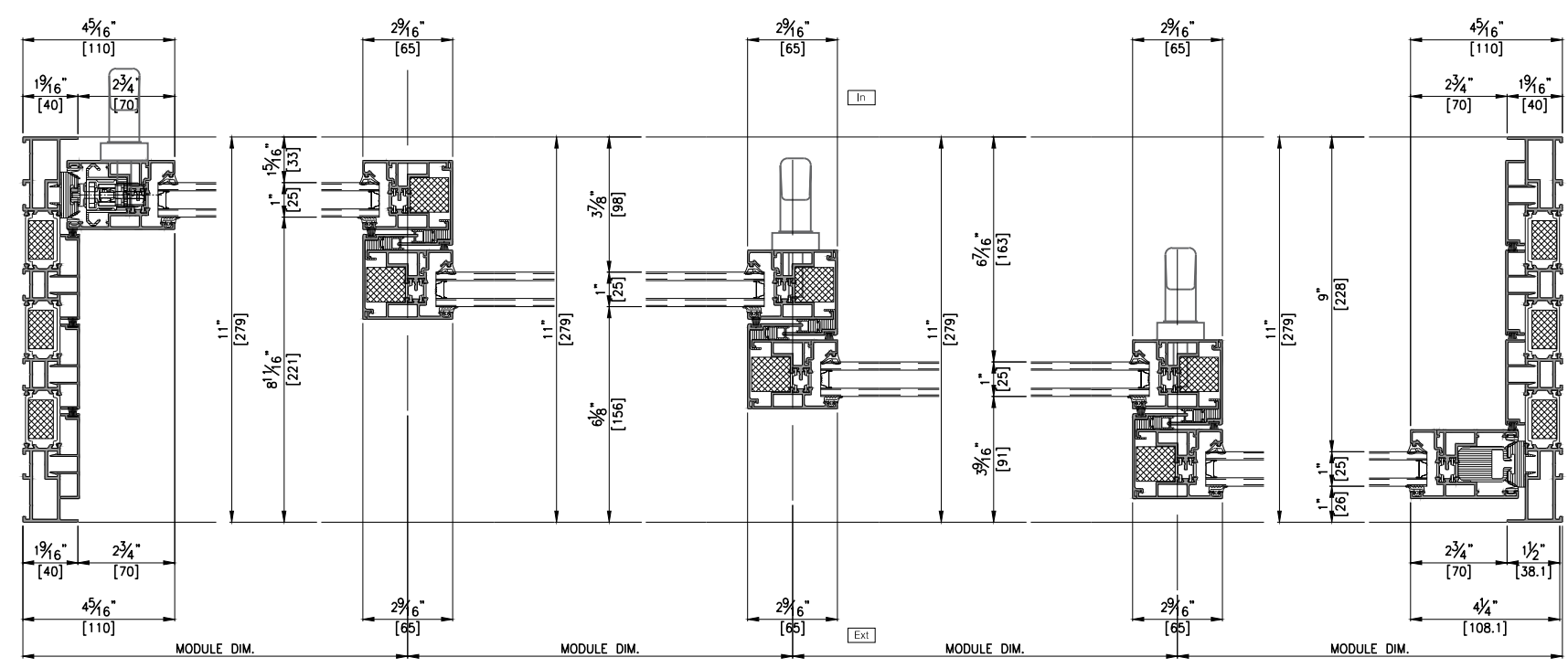
- General Notes
- Elevations are shown from exterior unless otherwise noted
 - Anchor/wall fastener - Location, spacing and quantity to be determined per design pressure requirements by structural engineer and/or certified test drawings

△			
△			
△			
△			
△			
2021. 00. 00.			
REV.	DESCRIPTION	DATE	
v2			

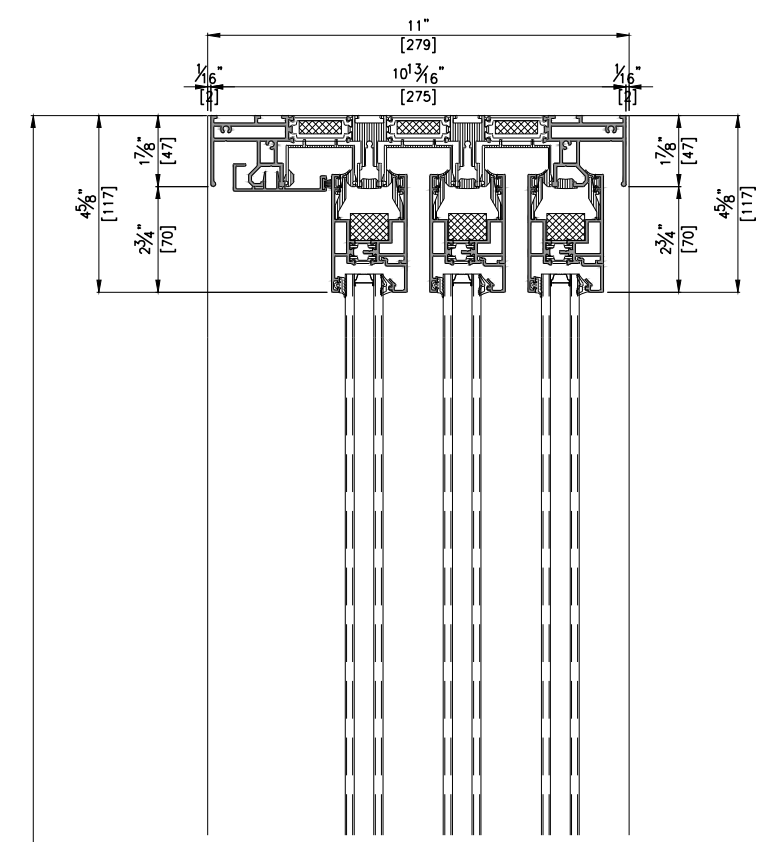
PROJECT	-		
ITEM NO.	-		
PRODUCT NAME	ESS145 LS		
QTY	1		
VIEW	EXTERIOR		
SCALE	-		
DRAWING NO.		ISSUE	



ELEVATION
SCALE : 1/30



HORIZONTAL SECTION DETAIL A-A'



VERTICAL SECTION DETAIL B-B'
SCALE : 1/5