

NOTE
INSTALLATION
(WOOD+NAIL FIN)
HORIZONTAL

- General Notes
- Elevations are shown from exterior unless otherwise noted
 - Anchor/wall fastener – Location, spacing and quantity to be determined per design pressure requirements by structural engineer and/or certified test drawings

△	
△	
△	
△	
○	

REV.	DESCRIPTION
v2	

PROJECT —

ITEM NO. —

PRODUCT NAME
EWS75 OW
NAIL FIN(ADD ON)

QTY
1

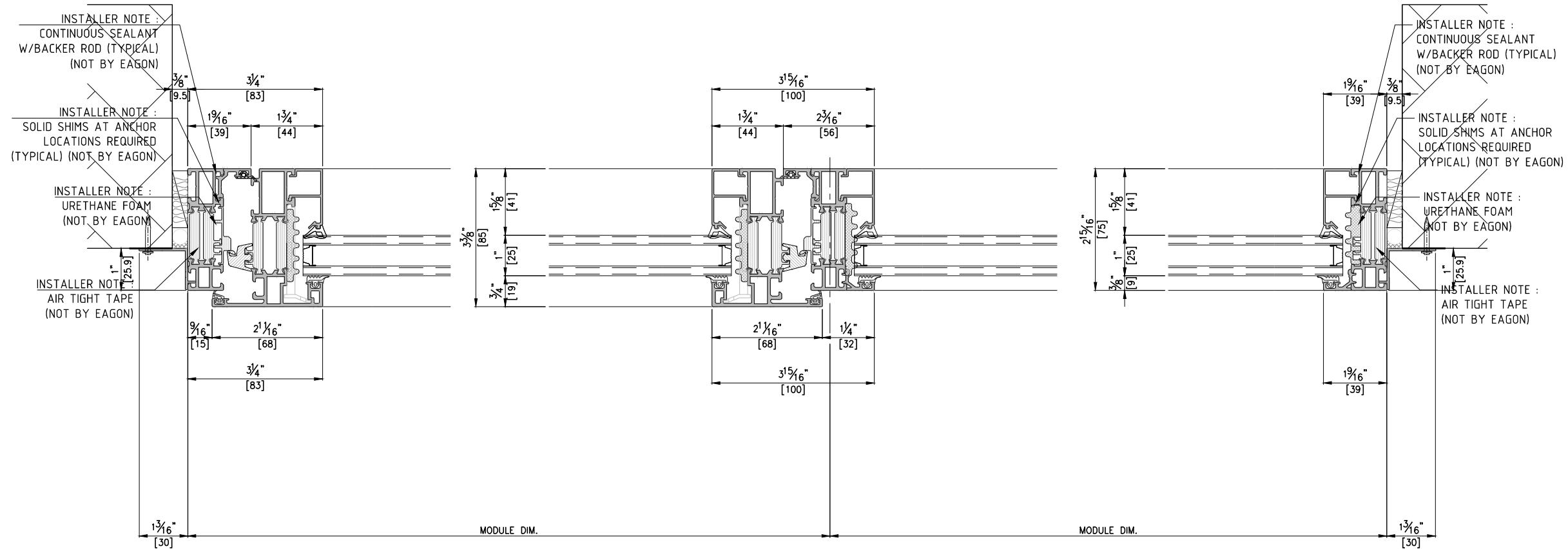
VIEW
EXTERIOR

SCALE
—

DRAWING NO. ISSUE

INTERIOR

EXTERIOR



 HORIZONTAL SECTION DETAIL
SCALE: 1/3