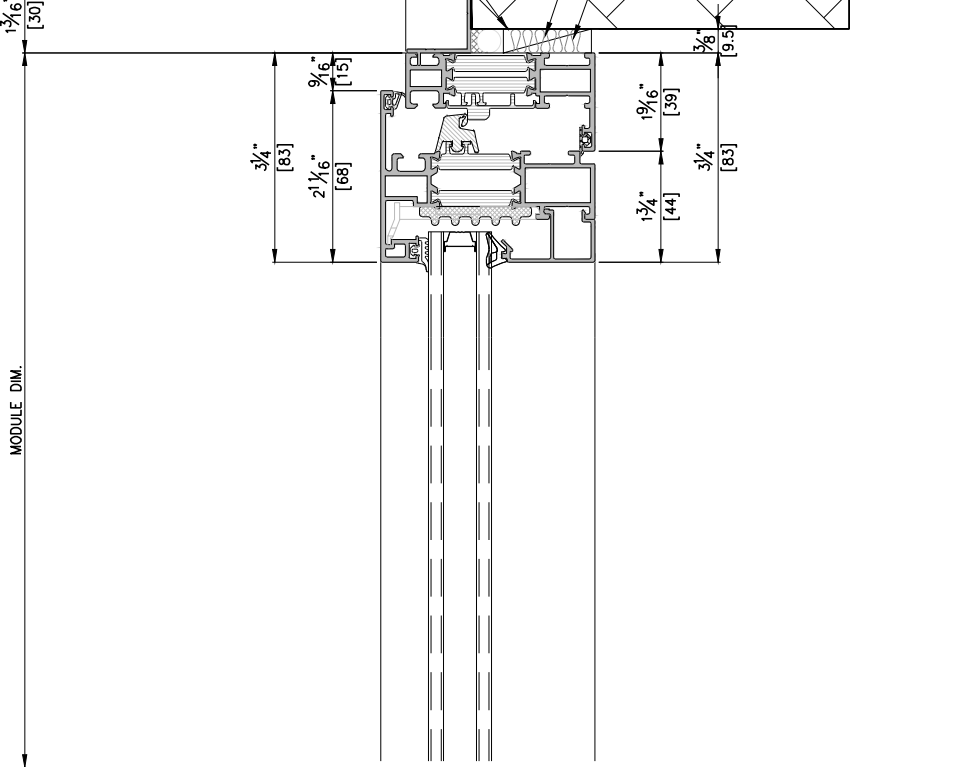


INSTALLER NOTE :  
 SIZE AND SPACING OF ANCHORS PER  
 LOCAL CODE (TYPICAL)  
 (NOT BY EAGON)

INSTALLER NOTE :  
 SOLID SHIMS AT ANCHOR  
 LOCATIONS REQUIRED  
 (TYPICAL) (NOT BY EAGON)

INSTALLER NOTE :  
 CONTINUOUS SEALANT W/BACKER ROD  
 (TYPICAL) (NOT BY EAGON)

INSTALLER NOTE :  
 URETHANE FOAM (NOT BY EAGON)

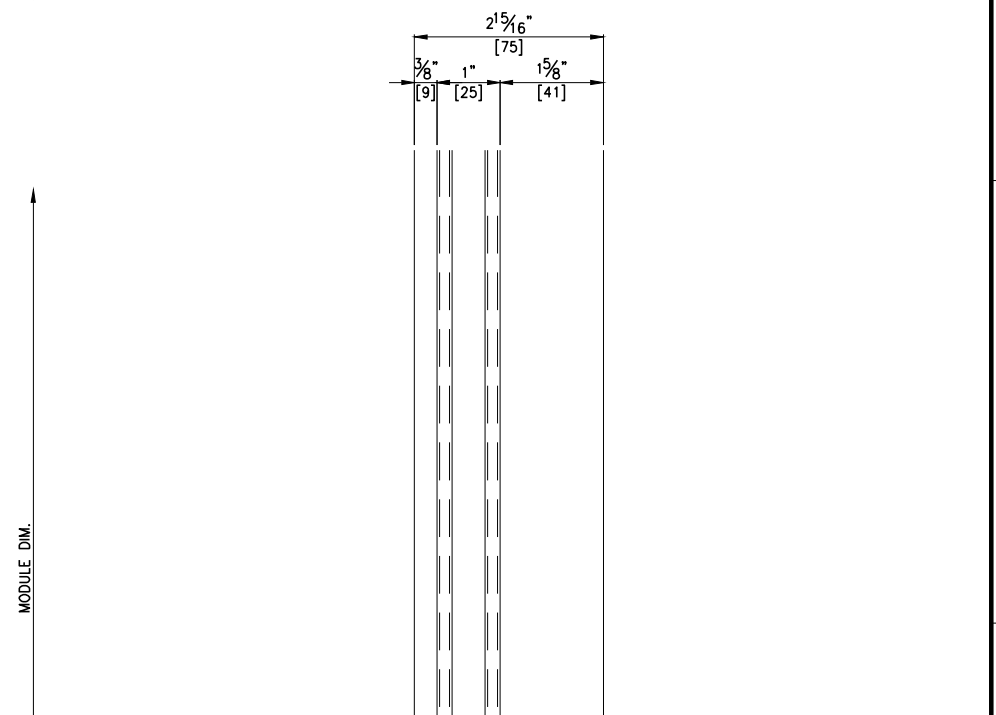
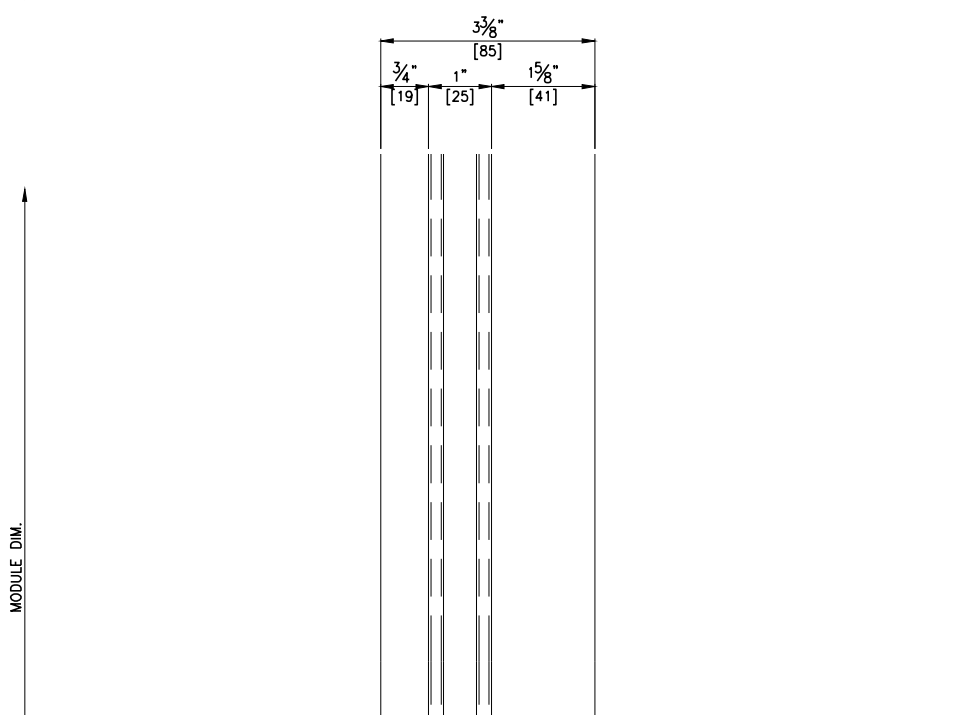
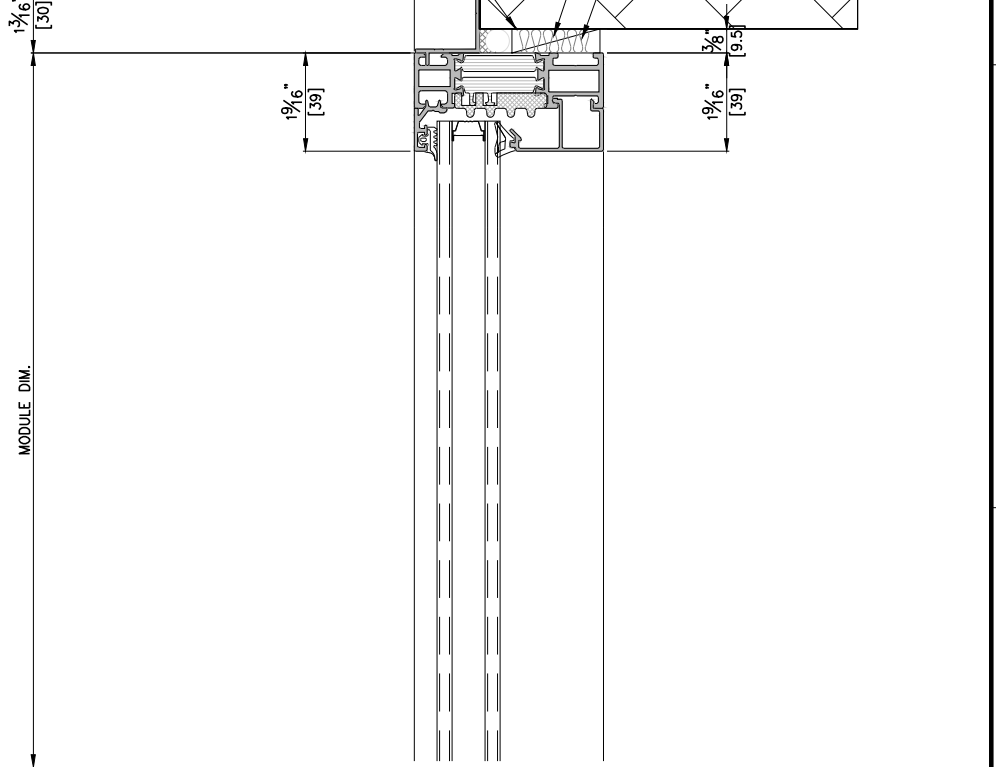


INSTALLER NOTE :  
 SIZE AND SPACING OF ANCHORS PER  
 LOCAL CODE (TYPICAL)  
 (NOT BY EAGON)

INSTALLER NOTE :  
 SOLID SHIMS AT ANCHOR  
 LOCATIONS REQUIRED  
 (TYPICAL) (NOT BY EAGON)

INSTALLER NOTE :  
 CONTINUOUS SEALANT W/BACKER ROD  
 (TYPICAL) (NOT BY EAGON)

INSTALLER NOTE :  
 URETHANE FOAM (NOT BY EAGON)



INSTALLER NOTE :  
 SOLID SHIMS AT ANCHOR  
 LOCATIONS REQUIRED  
 (TYPICAL) (NOT BY EAGON)

INSTALLER NOTE :  
 SIZE AND SPACING OF ANCHORS PER  
 LOCAL CODE (TYPICAL)  
 (NOT BY EAGON)

INSTALLER NOTE :  
 URETHANE FOAM (NOT BY EAGON)

INSTALLER NOTE :  
 CONTINUOUS SEALANT W/BACKER ROD  
 (TYPICAL) (NOT BY EAGON)

INSTALLER NOTE :  
 SOLID SHIMS AT ANCHOR  
 LOCATIONS REQUIRED  
 (TYPICAL) (NOT BY EAGON)

INSTALLER NOTE :  
 SIZE AND SPACING OF ANCHORS PER  
 LOCAL CODE (TYPICAL)  
 (NOT BY EAGON)

INSTALLER NOTE :  
 URETHANE FOAM (NOT BY EAGON)

INSTALLER NOTE :  
 CONTINUOUS SEALANT W/BACKER ROD  
 (TYPICAL) (NOT BY EAGON)

1 VERTICAL SECTION DETAIL SCALE: 1/3

2 VERTICAL SECTION DETAIL SCALE: 1/3



NOTE  
 INSTALLATION  
 (WOOD+NAIL FIN)  
 VERTICAL

General Notes  
 1. Elevations are shown from exterior unless otherwise noted  
 2. Anchor/wall fastener - Location, spacing and quantity to be determined per design pressure requirements by structural engineer and/or certified test drawings

REV.	DESCRIPTION
v2	

ITEM NO.	PRODUCT NAME	QTY	VIEW
	EW575 OW NAIL FIN(ADD ON)	1	EXTERIOR

SCALE	DRAWING NO.	ISSUE