

NOTE

SLIDING

General Notes

1. Elevations are shown from exterior unless otherwise noted
2. Anchor/wall fastener - Location, spacing and quantity to be determined per design pressure requirements by structural engineer and/or certified test drawings

△	
△	
△	
△	
△	
△	
△	
△	
△	
△	
△	

REV.	DESCRIPTION
v2	

PROJECT -

ITEM NO. -

PRODUCT NAME

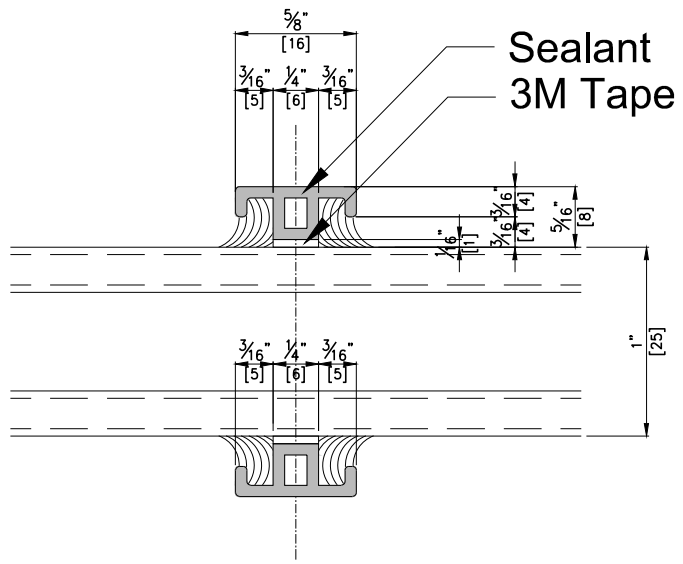
SDL OPTIONS

QTY	1
-----	---

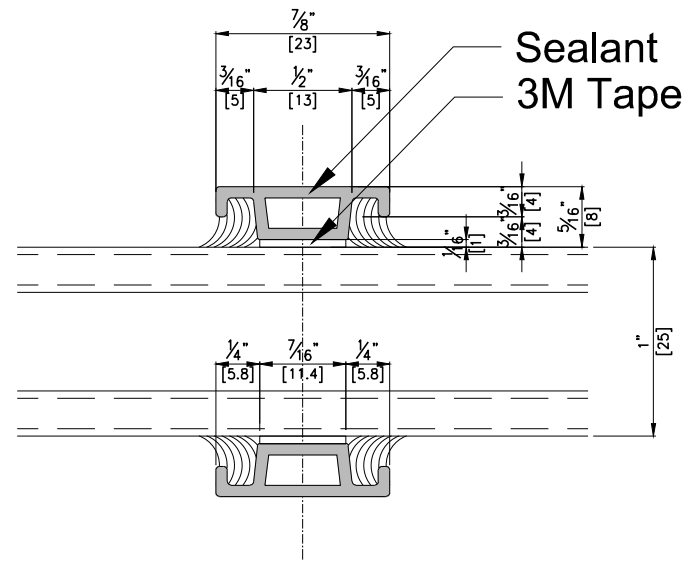
VIEW EXTERIOR

SCALE -

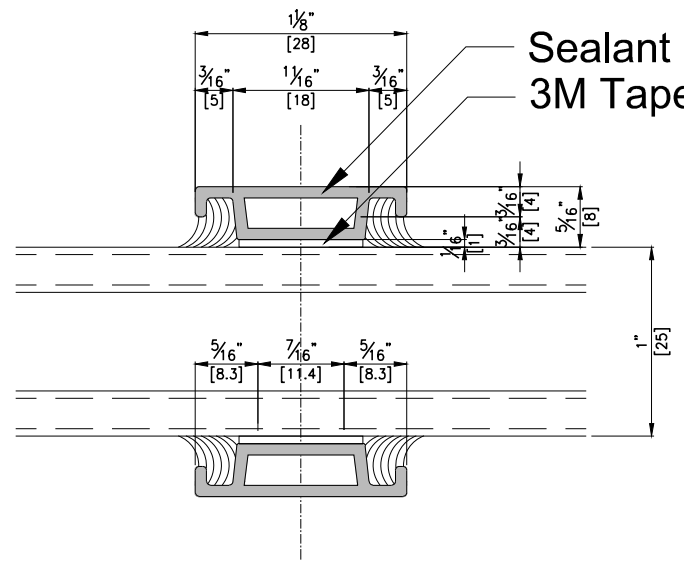
DRAWING NO.	ISSUE
-------------	-------



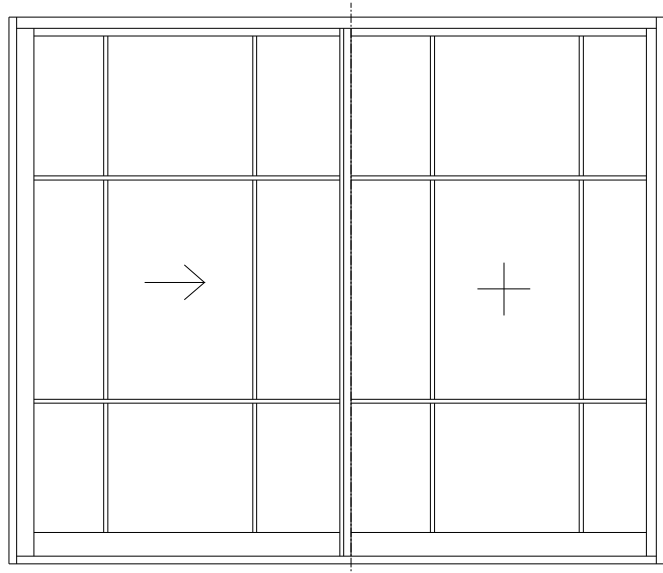
5/8" (16mm) SDL
SCALE: 1/9



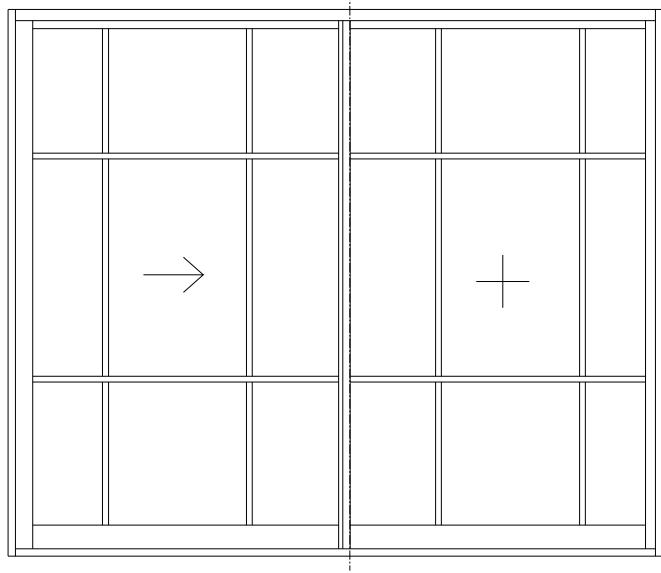
7/8" (23mm) SDL
SCALE: 1/9



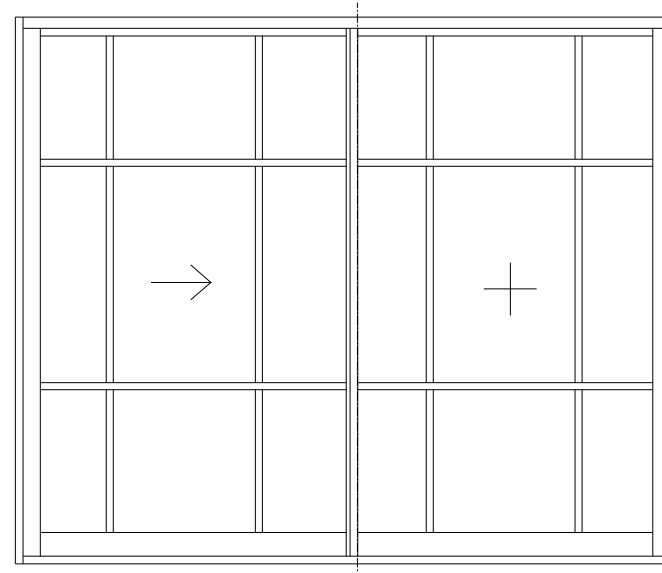
1 1/8" (28mm) SDL
SCALE: 1/9



5/8" (16mm) SDL
SCALE: 1/30



7/8" (23mm) SDL
SCALE: 1/30



1 1/8" (28mm) SDL
SCALE: 1/30

NOTE

- Available on all products.