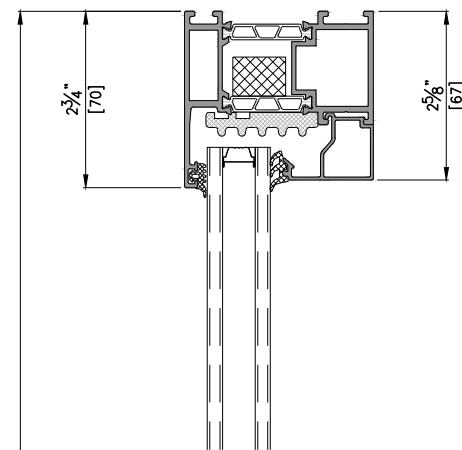
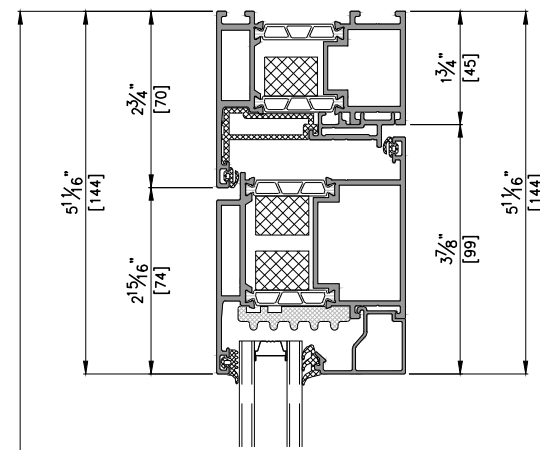


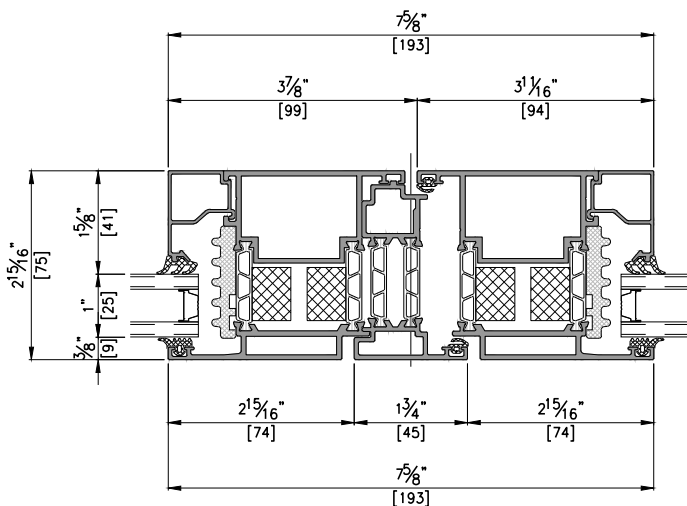
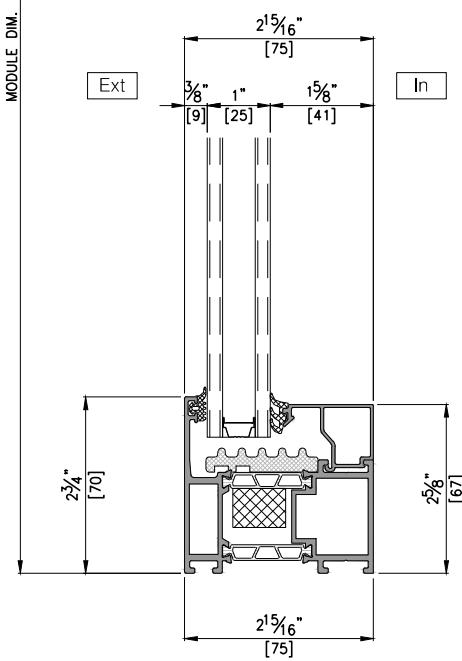
ELEVATION
SCALE : 1/30



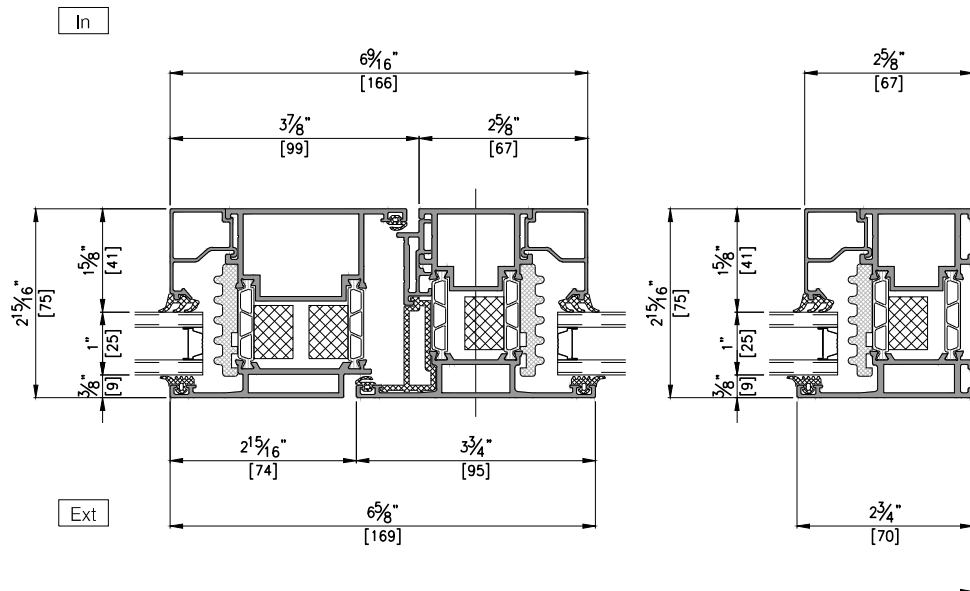
VERTICAL SECTION DETAIL B-B'
SCALE : 1/3



VERTICAL SECTION DETAIL C-C'
SCALE : 1/3



HORIZONTAL SECTION DETAIL A-A'
SCALE : 1/3



NOTE
OXXO TYPE

General Notes

- Elevations are shown from exterior unless otherwise noted
- Anchor/wall fastener - Location, spacing and quantity to be determined per design pressure requirements by structural engineer and/or certified test drawings

REV.	DESCRIPTION
	v.3
PROJECT	
ITEM NO.	
PRODUCT NAME	
EDS75 IW W/S WITH SILL	
QTY	1
VIEW	EXTERIOR
SCALE	
DRAWING NO.	
ISSUE	