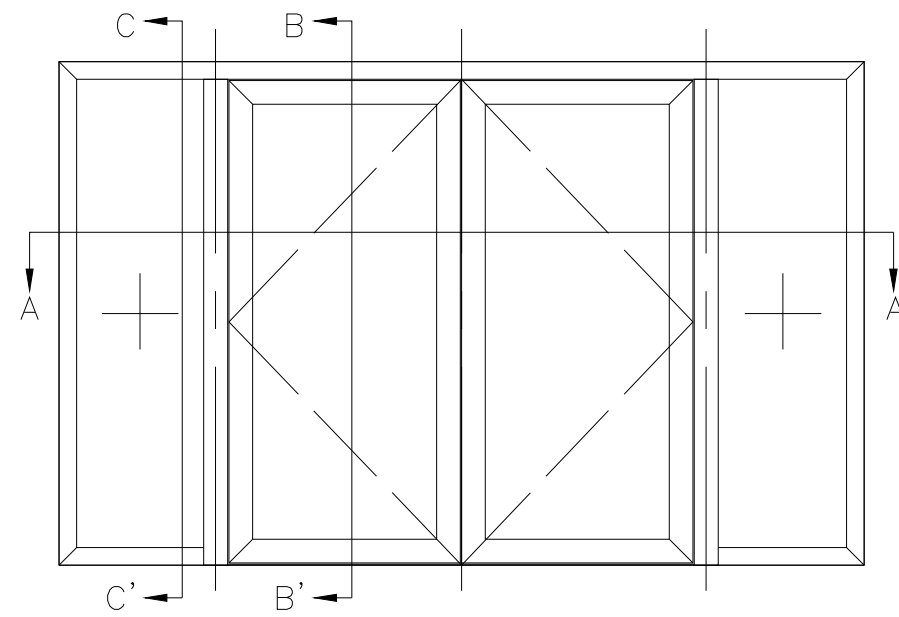


NOTE
OXXO TYPE

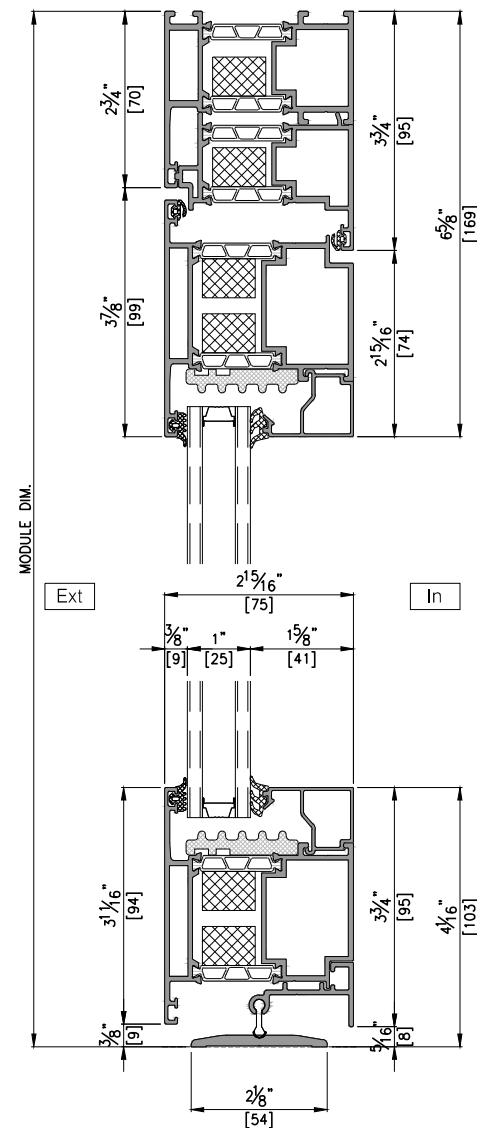
- General Notes
1. Elevations are shown from exterior unless otherwise noted
 2. Anchor/wall fastener - Location, spacing and quantity to be determined per design pressure requirements by structural engineer and/or certified test drawings

△			
△			
△			
△			
△			
△			
0			
			2021. 00. 00.
			DESCRIPTION
REV.	v.3		

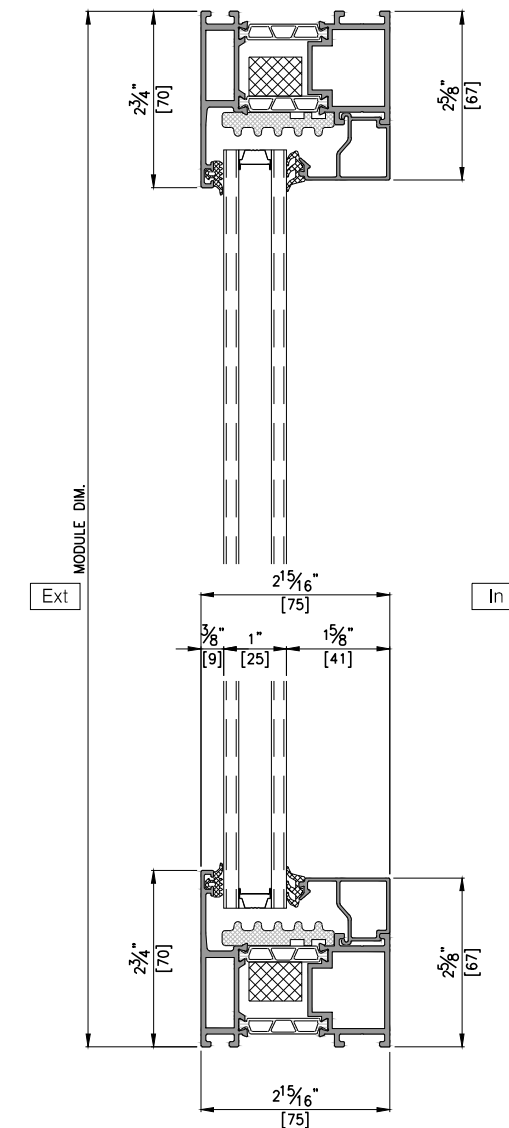
PROJECT	-		
ITEM NO.	-		
PRODUCT NAME	EDS75 OW NO SILL		
QTY	1		
VIEW	EXTERIOR		
SCALE	-		
DRAWING NO.			ISSUE



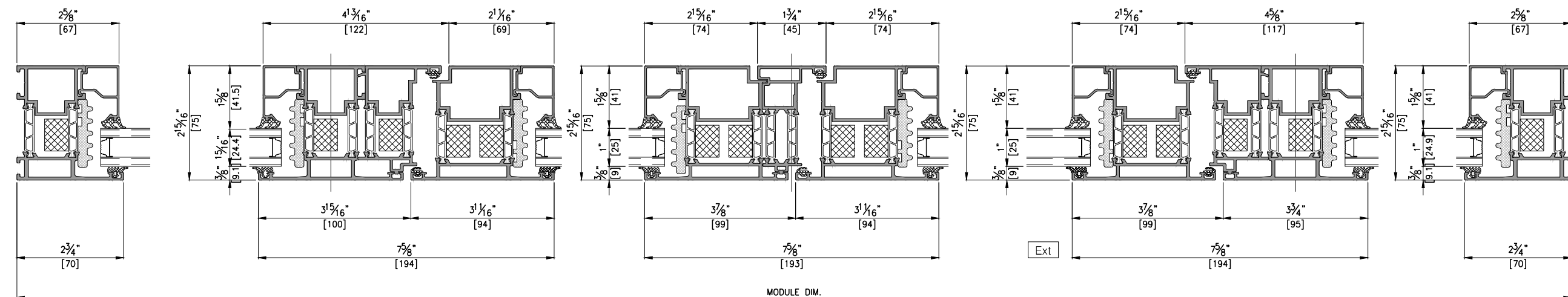
ELEVATION
SCALE : 1/30



VERTICAL SECTION DETAIL B-B'
SCALE : 1/3



VERTICAL SECTION DETAIL C-C'
SCALE : 1/3



HORIZONTAL SECTION DETAIL A-A'
SCALE : 1/3