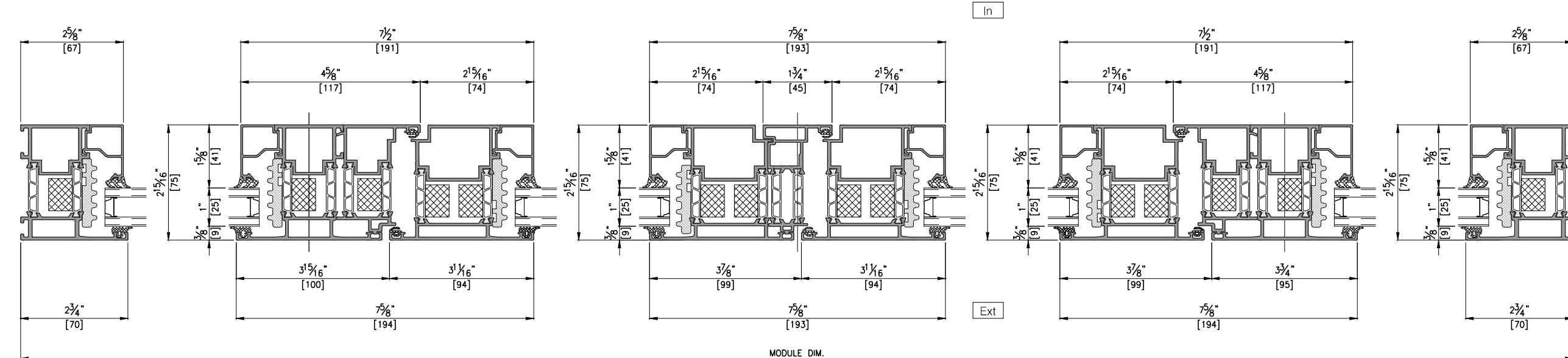
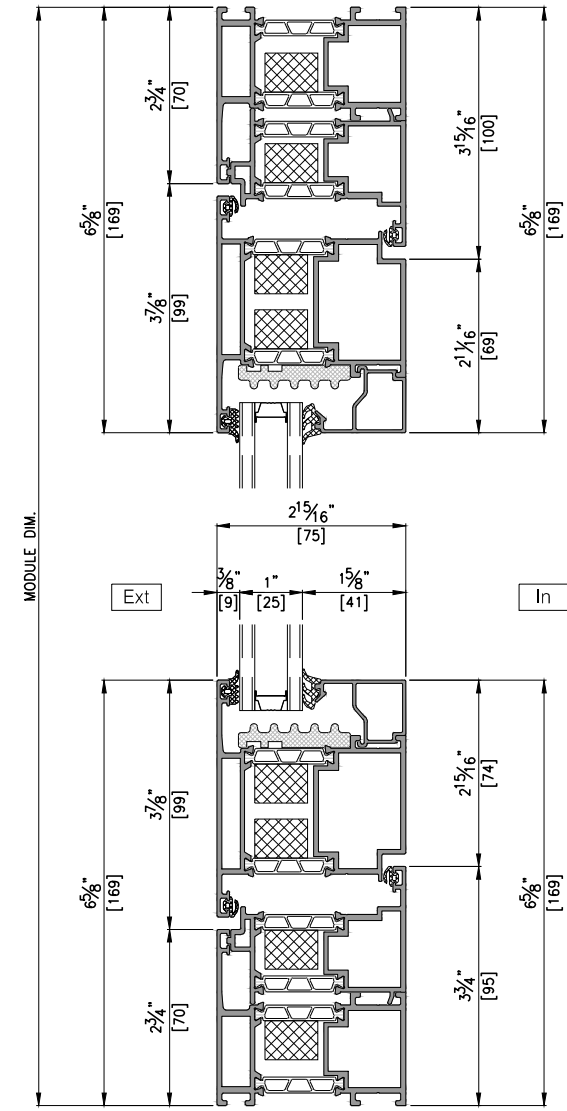
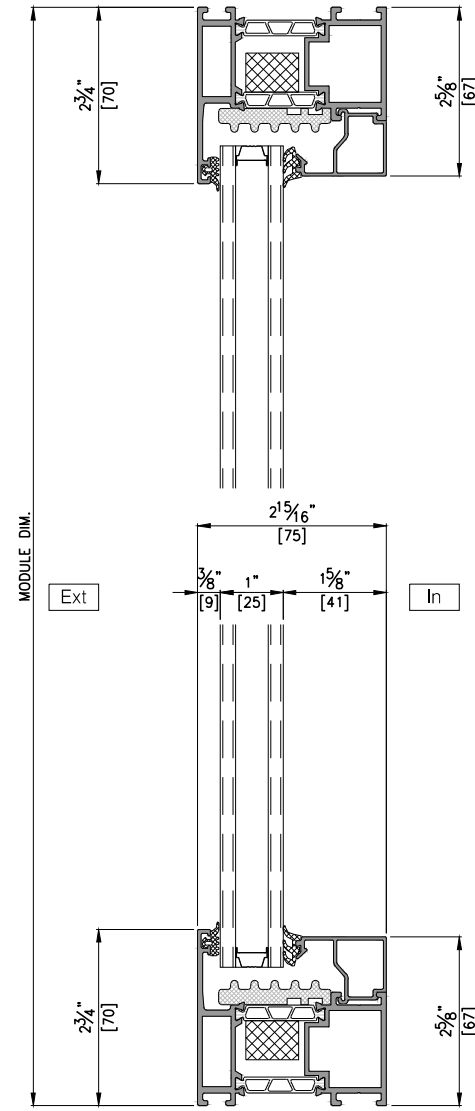
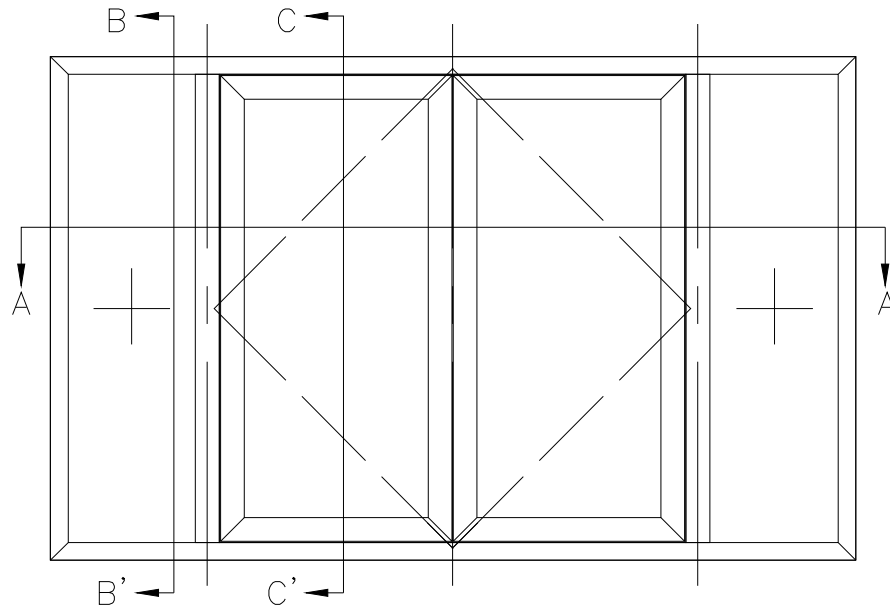


NOTE  
OXXO TYPE

- General Notes
- Elevations are shown from exterior unless otherwise noted
  - Anchor/wall fastener  
- Location, spacing and quantity to be determined per design pressure requirements by structural engineer and/or certified test drawings



△	
△	
△	
△	
△	
△	
△	
△	
○	
	2021. 00. 00.
REV.	DESCRIPTION
v.3	
PROJECT	
ITEM NO.	
PRODUCT NAME	
EDS75 OW W/S WITH SILL	
QTY	1
VIEW	
EXTERIOR	
SCALE	
DRAWING NO.	
ISSUE	