

NOTE
XX TYPE
44mm

- General Notes
- Elevations are shown from exterior unless otherwise noted
 - Anchor/wall fastener – Location, spacing and quantity to be determined per design pressure requirements by structural engineer and/or certified test drawings

△			
△			
△			
△			
△			
0			
	2021. 00. 00.		
REV.	DESCRIPTION		
v.3			

PROJECT —

ITEM NO. —

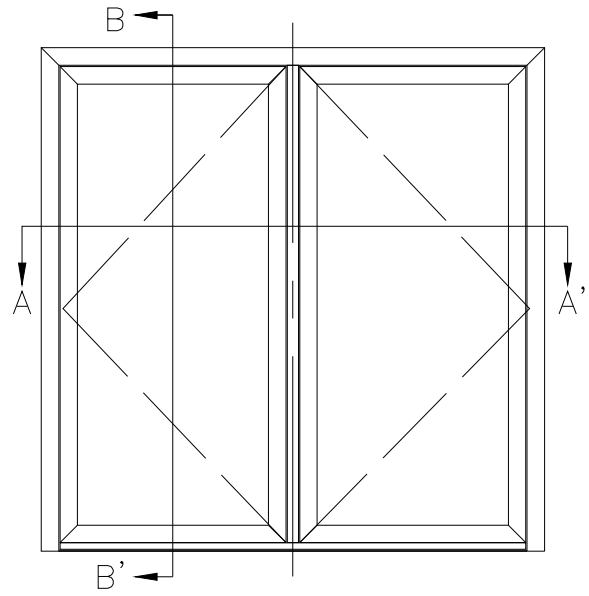
PRODUCT NAME
EDS75 IW
NO SILL

QTY
1

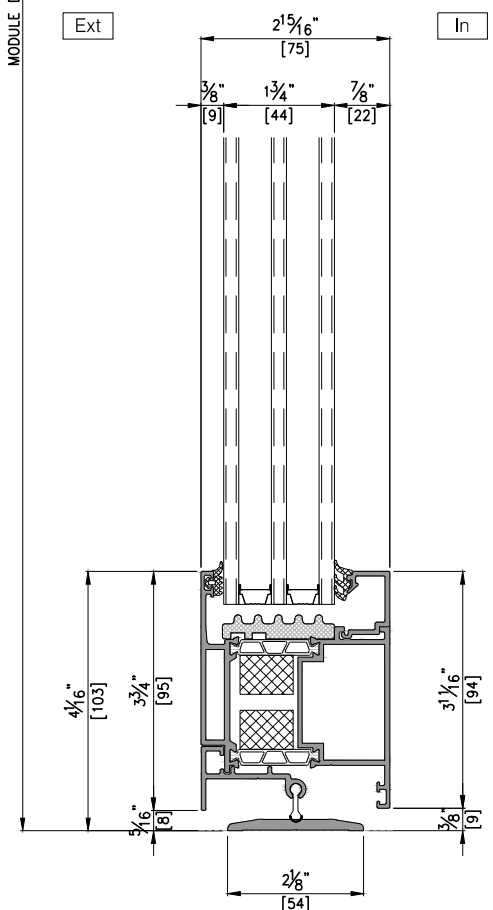
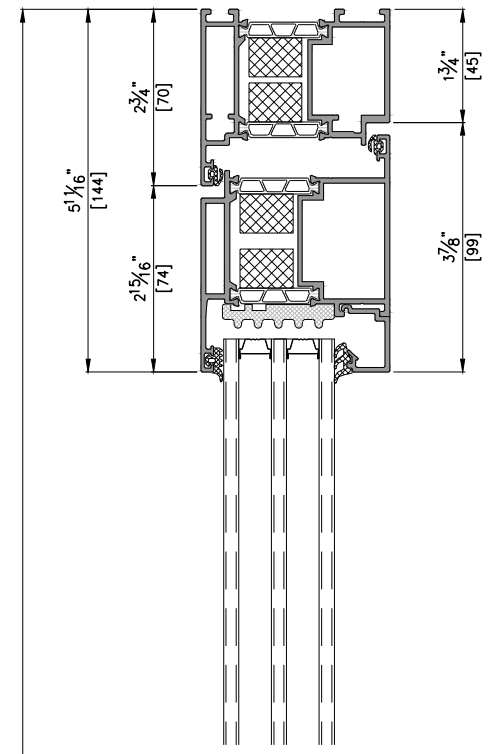
VIEW
EXTERIOR

SCALE
—

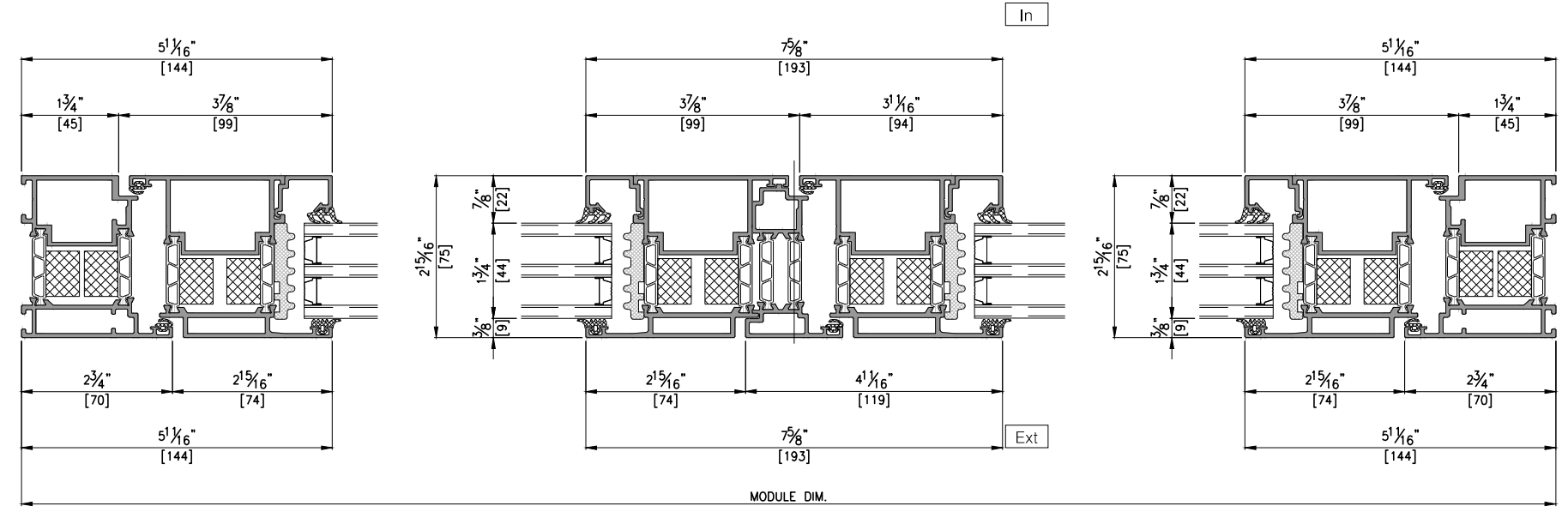
DRAWING NO. ISSUE



ELEVATION
SCALE: 1/30



VERTICAL SECTION DETAIL B-B'
SCALE: 1/3



HORIZONTAL SECTION DETAIL A-A'
SCALE: 1/3