






NOTE

OXXO TYPE
44mm

General Notes

- Elevations are shown from exterior unless otherwise noted
- Anchor/wall fastener
- Location, spacing and quantity to be determined per design pressure requirements by structural engineer and/or certified test drawings

	
	
	
	
	2021. 00. 00.
REV.	DESCRIPTION
v.3	

PROJECT

ITEM NO.

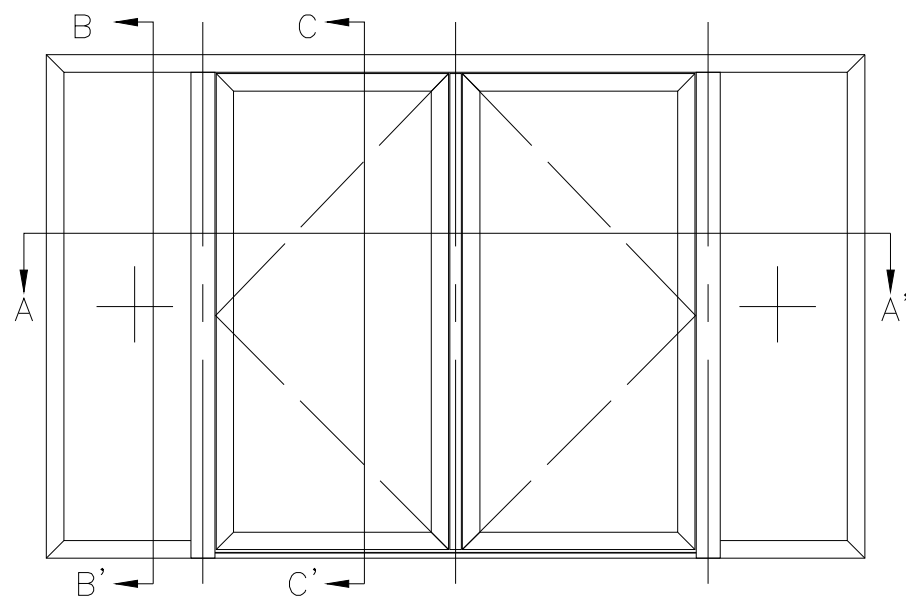
PRODUCT NAME
EDS75 IW N/S
ATTACH

QTY
1

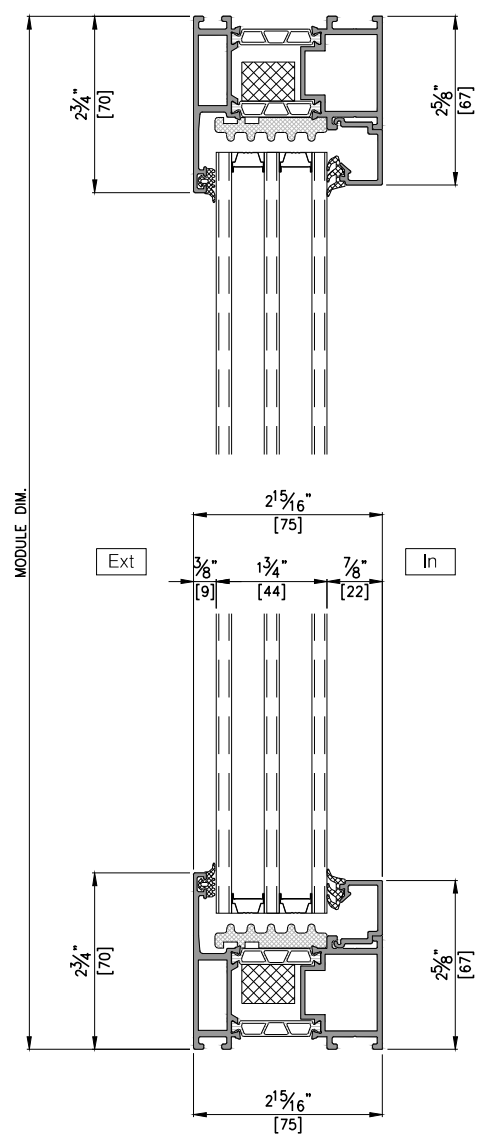
VIEW
EXTERIOR

SCALE

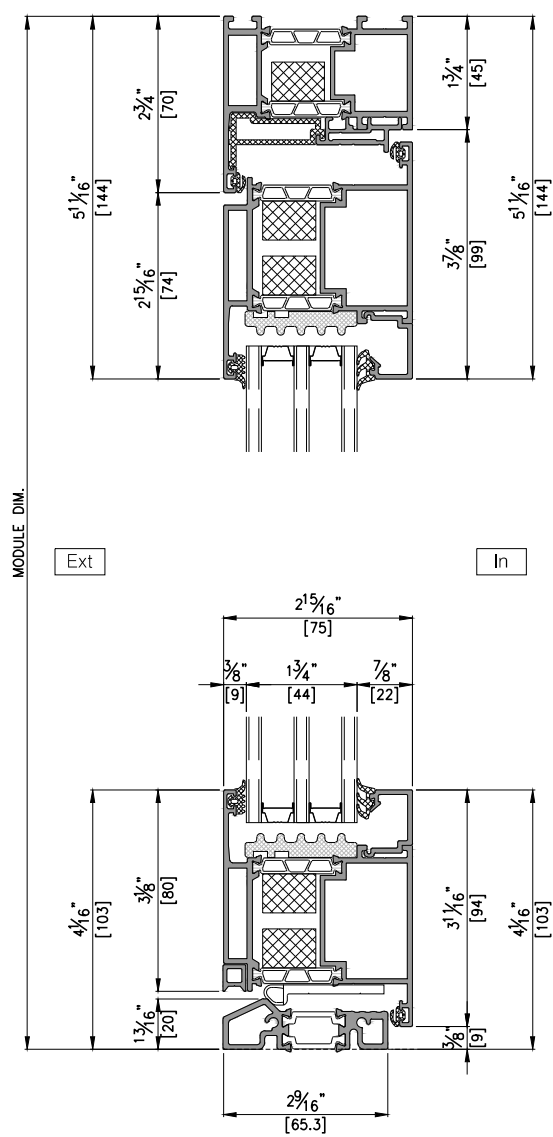
DRAWING NO. ISSUE



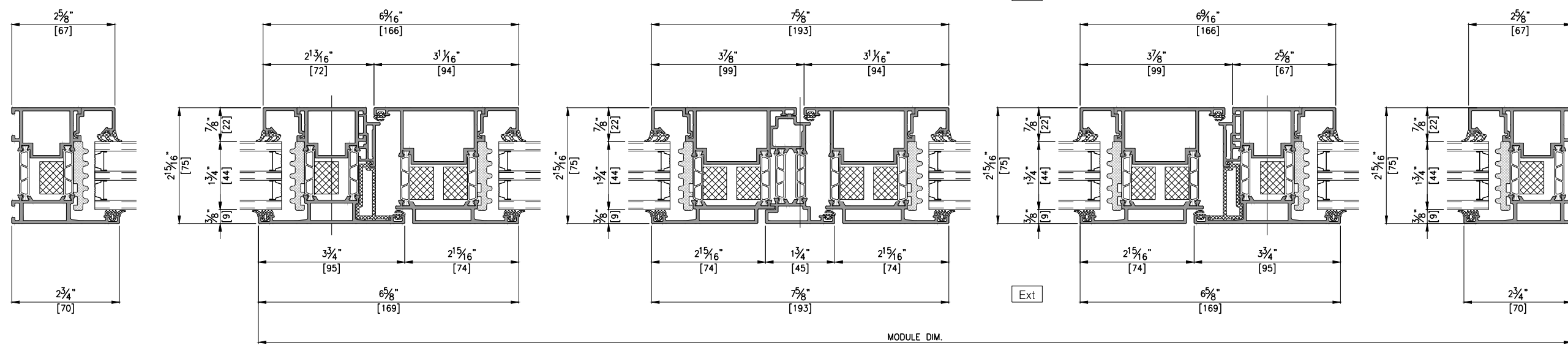
 **ELEVATION**
SCALE : 1/30



 **VERTICAL SECTION DETAIL B-B'**
SCALE : 1/3



 **VERTICAL SECTION DETAIL C-C'**
SCALE : 1/3



 **HORIZONTAL SECTION DETAIL A-A'**
SCALE : 1/3