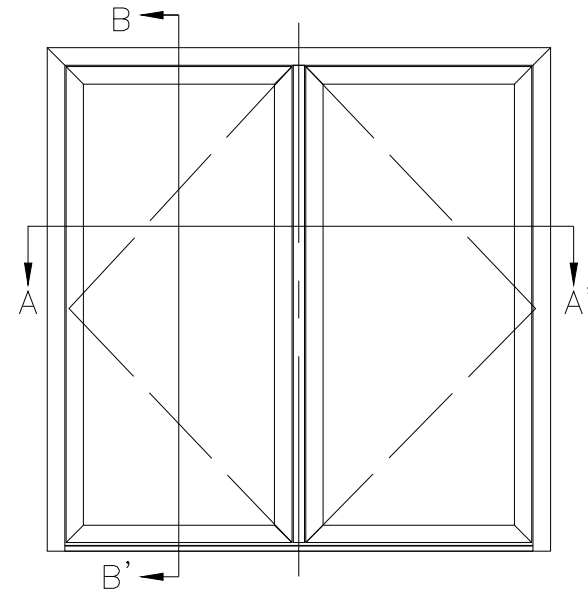


NOTE  
XX TYPE  
44mm

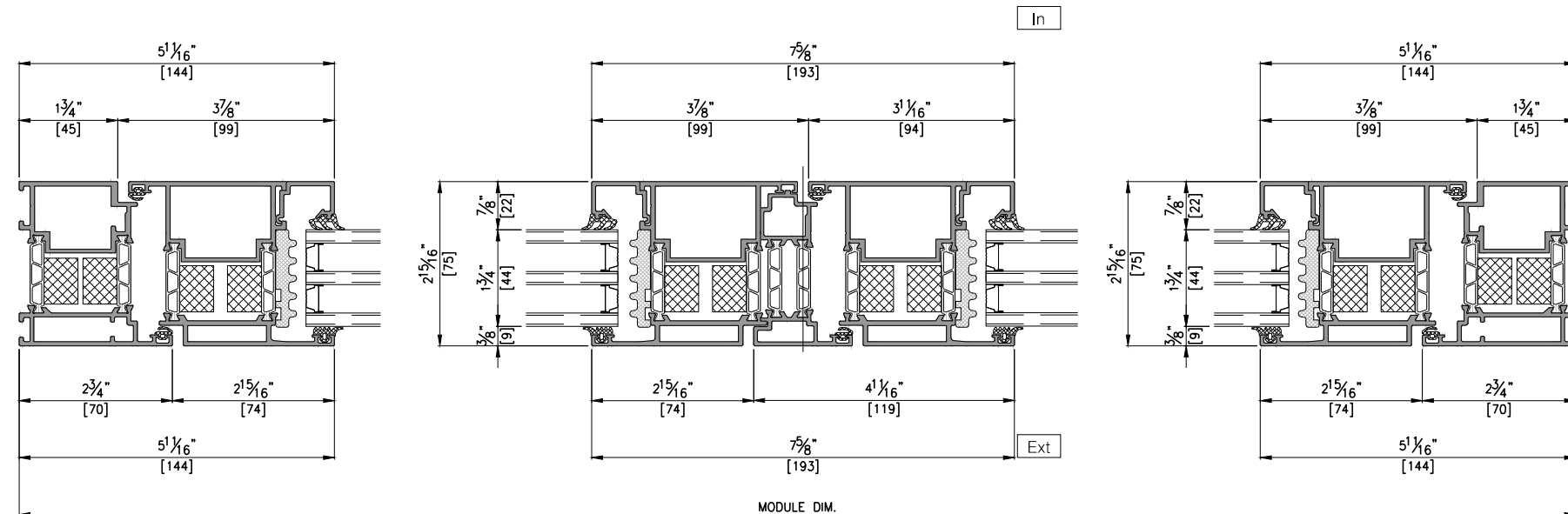
- General Notes
- Elevations are shown from exterior unless otherwise noted
  - Anchor/wall fastener - Location, spacing and quantity to be determined per design pressure requirements by structural engineer and/or certified test drawings

△			
△			
△			
△			
△			
0			
	2021. 00. 00.		
REV.		DESCRIPTION	
	v.3		

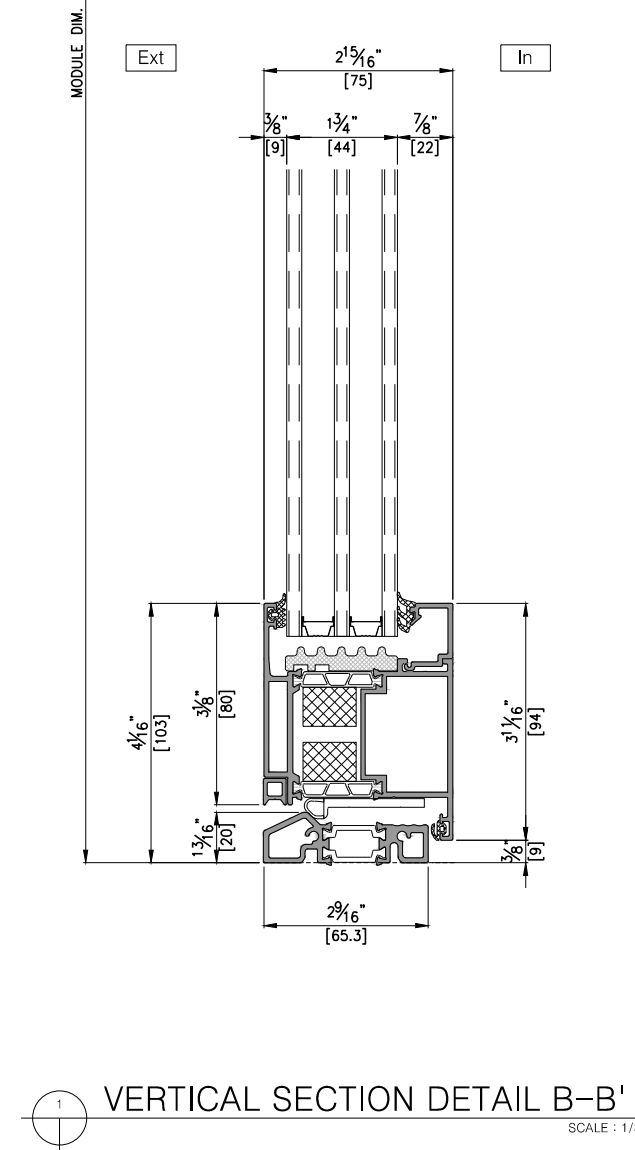
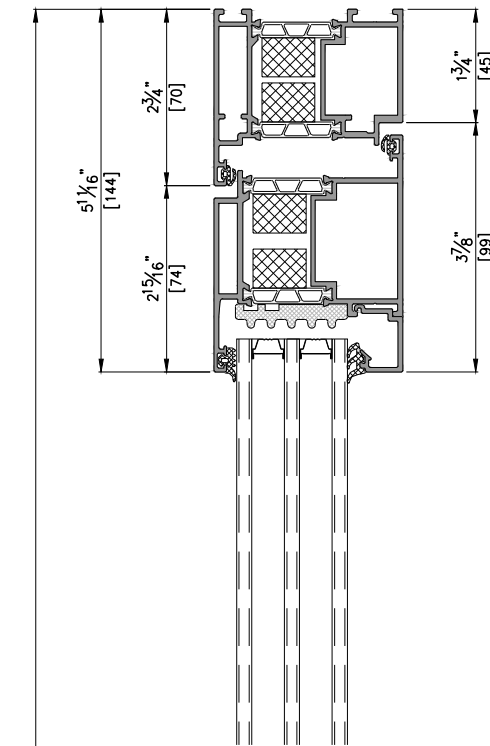
PROJECT	-		
ITEM NO.	-		
PRODUCT NAME	EDS75 IW N/S ATTACH		
QTY	1		
VIEW	EXTERIOR		
SCALE	-		
DRAWING NO.		ISSUE	



**ELEVATION**  
SCALE : 1/30



**HORIZONTAL SECTION DETAIL A-A'**  
SCALE : 1/3



**VERTICAL SECTION DETAIL B-B'**  
SCALE : 1/3