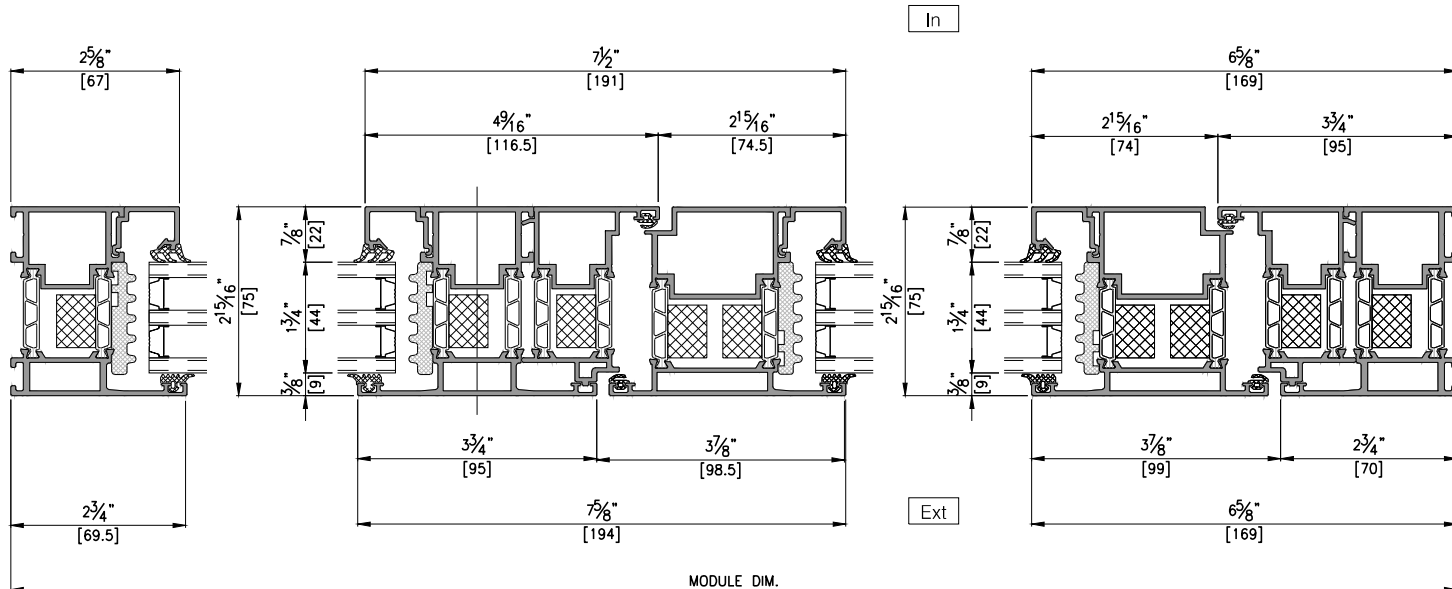
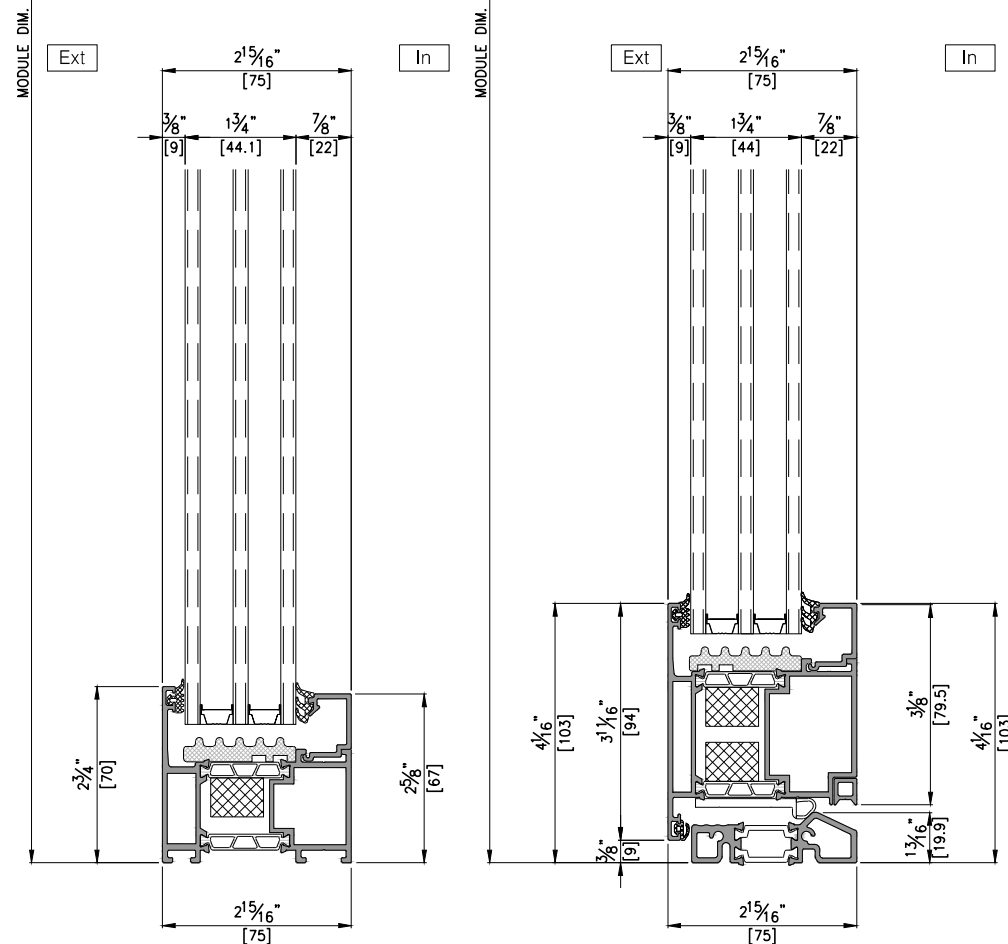
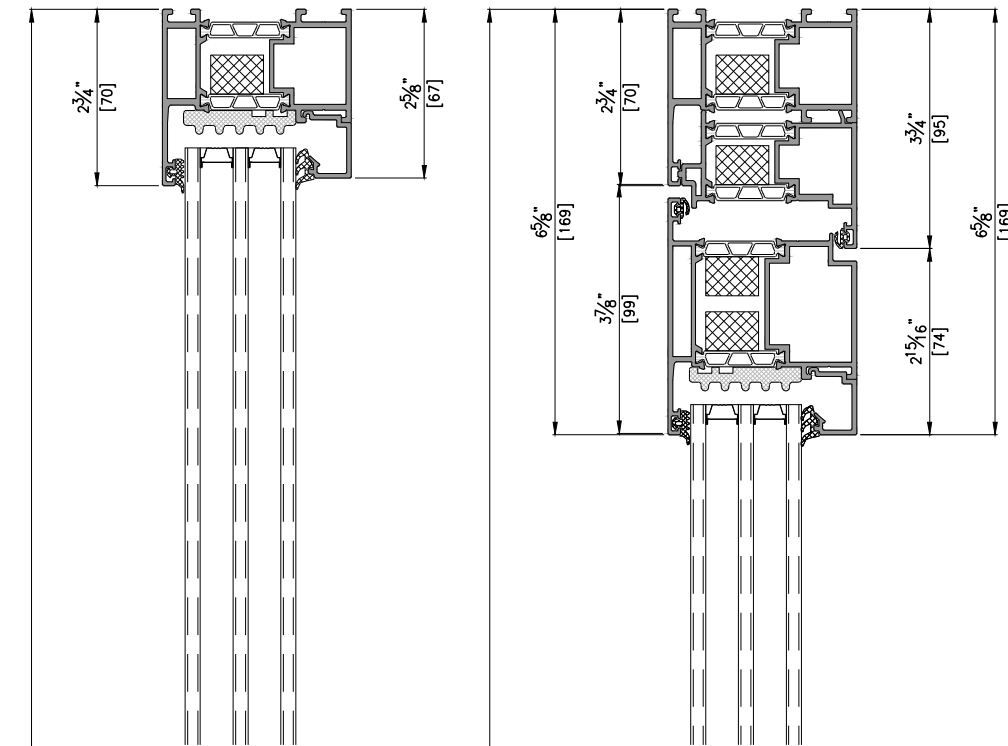


ELEVATION
SCALE : 1/30



HORIZONTAL SECTION DETAIL A-A'
SCALE : 1/3



VERTICAL SECTION DETAIL B-B'
SCALE : 1/3

VERTICAL SECTION DETAIL C-C'
SCALE : 1/3

NOTE
OX TYPE
44mm

- General Notes
- Elevations are shown from exterior unless otherwise noted
 - Anchor/wall fastener – Location, spacing and quantity to be determined per design pressure requirements by structural engineer and/or certified test drawings

△		
△		
△		
△		
△		
△		
△		
0		
	2021. 00. 00.	
REV.		DESCRIPTION
	v.3	

PROJECT	-	
ITEM NO.	-	
PRODUCT NAME	EDS75 OW N/S ATTACH	
QTY	1	
VIEW	EXTERIOR	
SCALE	-	
DRAWING NO.		ISSUE