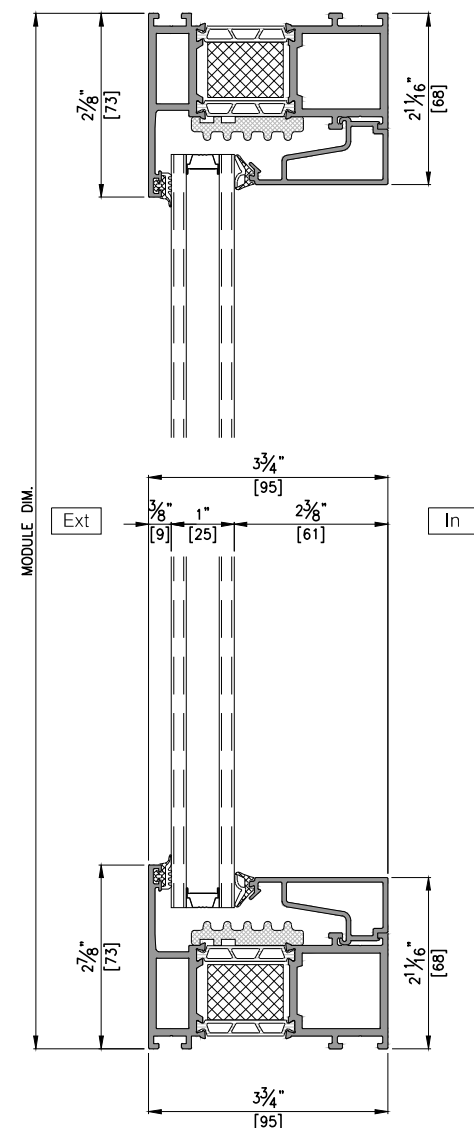
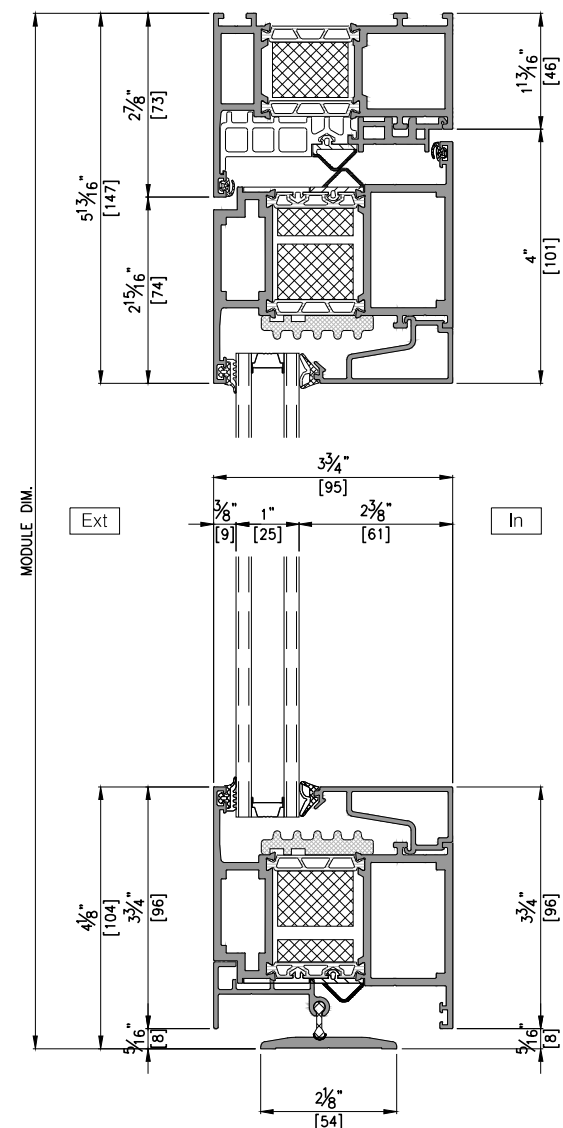


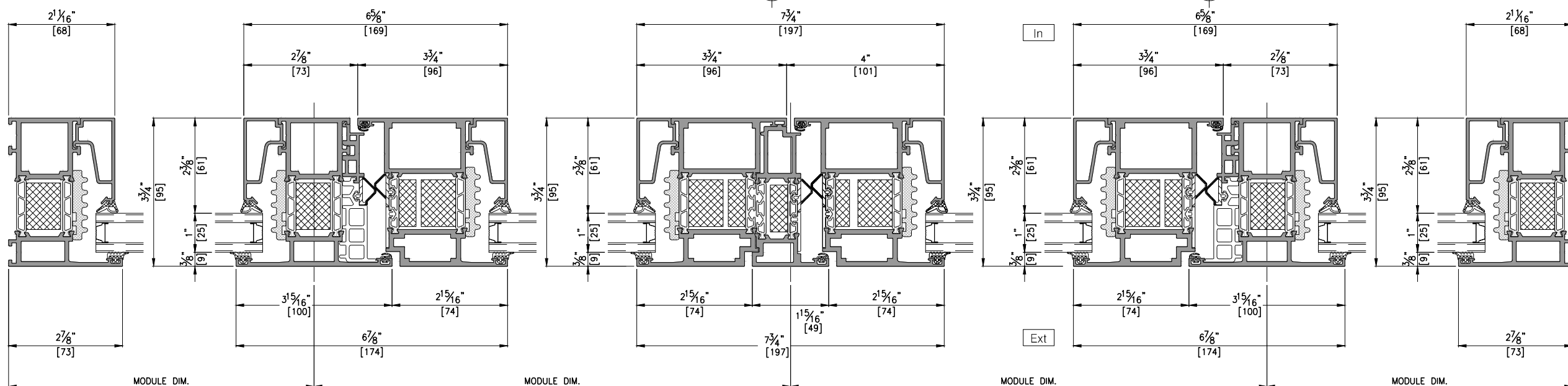
ELEVATION
SCALE: 1/30



VERTICAL SECTION DETAIL B-B'
SCALE: 1/3



VERTICAL SECTION DETAIL C-C'
SCALE: 1/3



HORIZONTAL SECTION DETAIL A-A'
SCALE: 1/3

EAGON
WINDOWS & DOORS CO.LTD

NOTE
OXXO TYPE

- General Notes
1. Elevations are shown from exterior unless otherwise noted
 2. Anchor/wall fastener - Location, spacing and quantity to be determined per design pressure requirements by structural engineer and/or certified test drawings

REV.	DESCRIPTION
2021.00.00.	
v3	

PROJECT

ITEM NO.

PRODUCT NAME

EDS95 IW
NO SILL

QTY
1

VIEW
EXTERIOR

SCALE

DRAWING NO. ISSUE