

NOTE

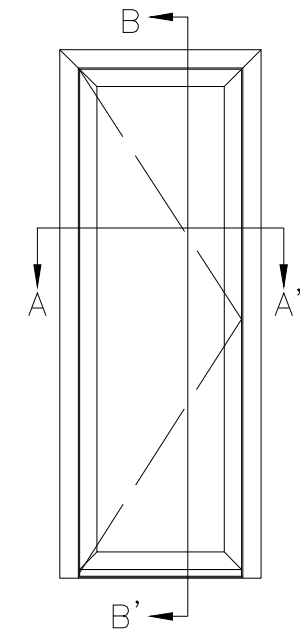
X TYPE

General Notes

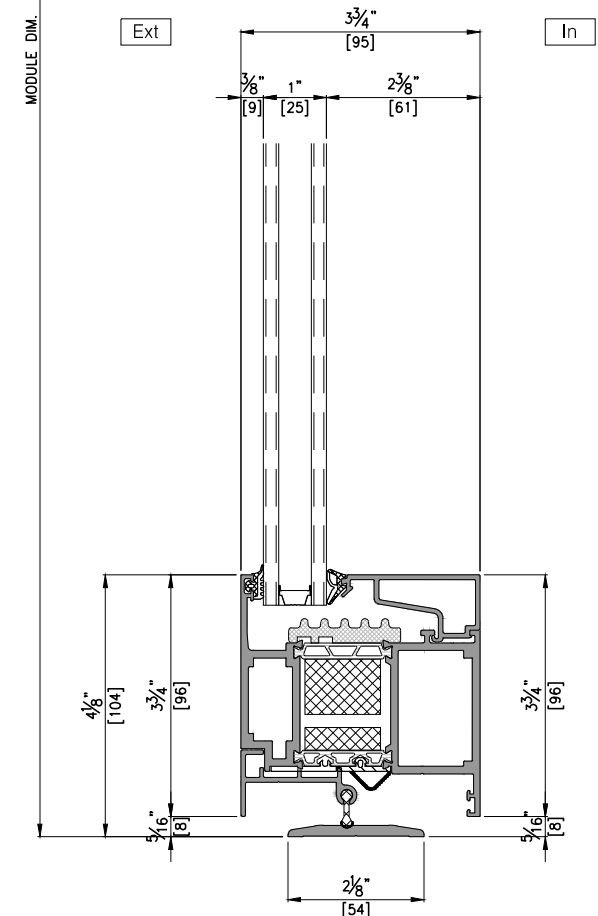
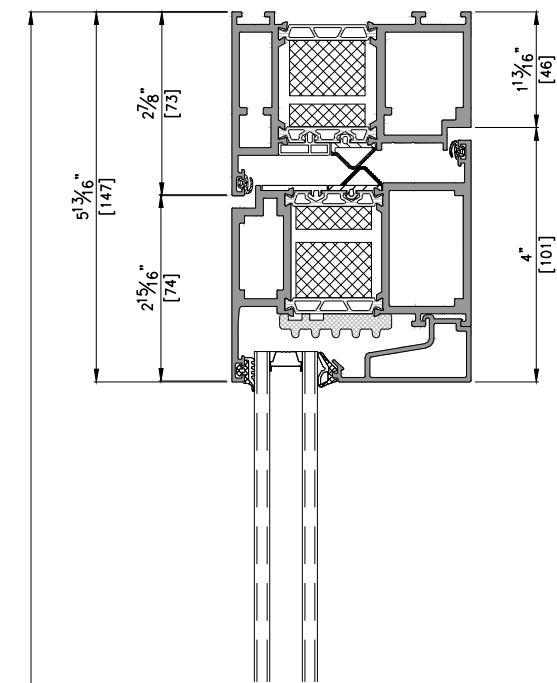
1. Elevations are shown from exterior unless otherwise noted
2. Anchor/wall fastener - Location, spacing and quantity to be determined per design pressure requirements by structural engineer and/or certified test drawings

△			
△			
△			
△			
△			
0			
		2021. 00. 00.	
REV.	DESCRIPTION		
v.3			

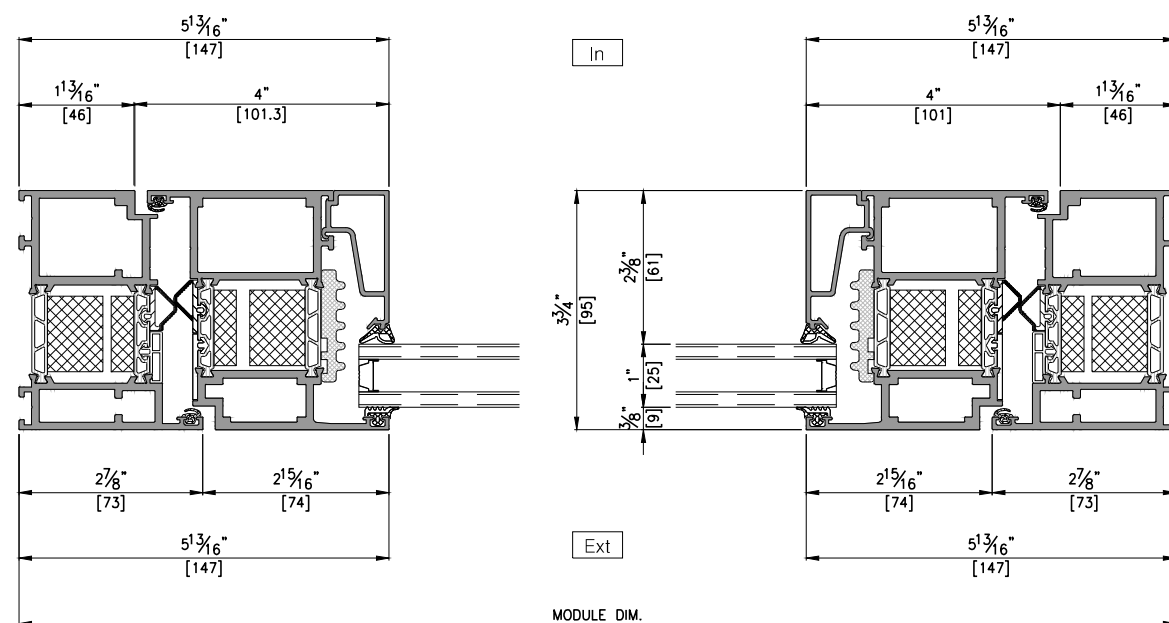
PROJECT		-
ITEM NO.		-
PRODUCT NAME		EDS95 IW NO SILL
QTY	1	
VIEW		EXTERIOR
SCALE		-
DRAWING NO.	ISSUE	



ELEVATION  
SCALE: 1/30



VERTICAL SECTION DETAIL B-B'  
SCALE: 1/3



HORIZONTAL SECTION DETAIL A-A'  
SCALE: 1/3