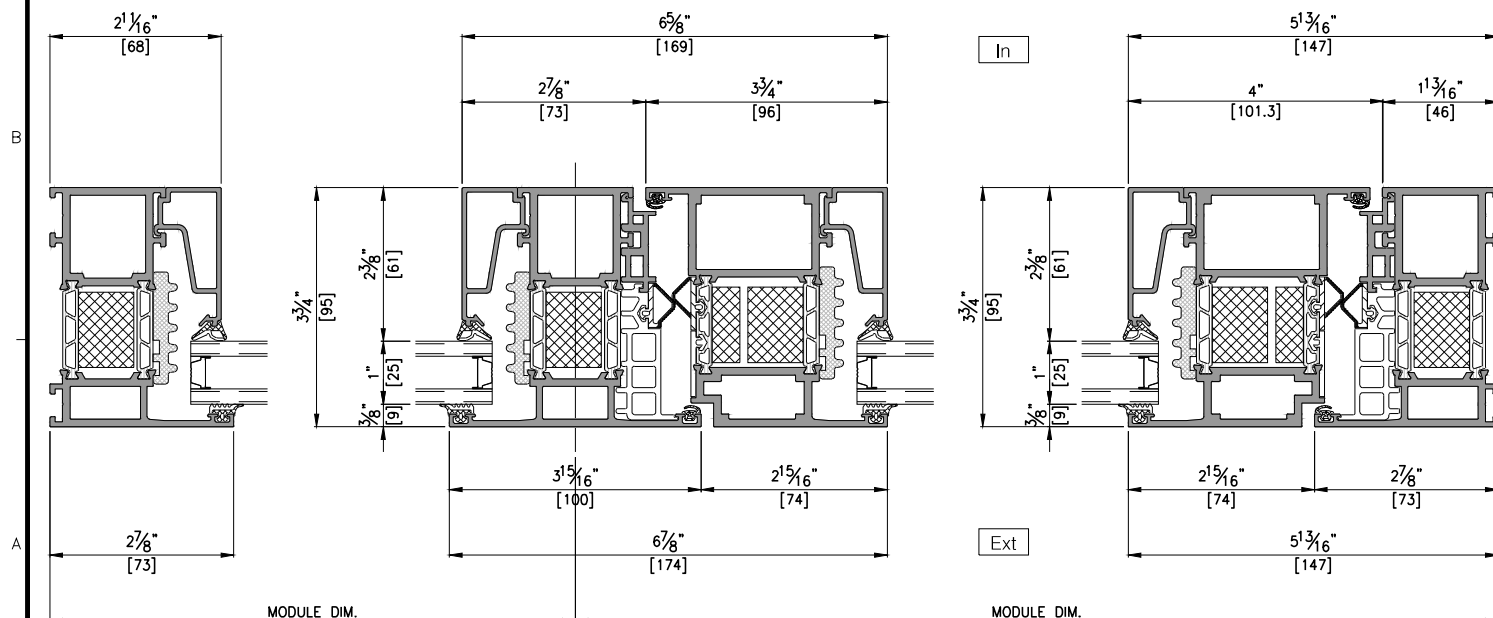
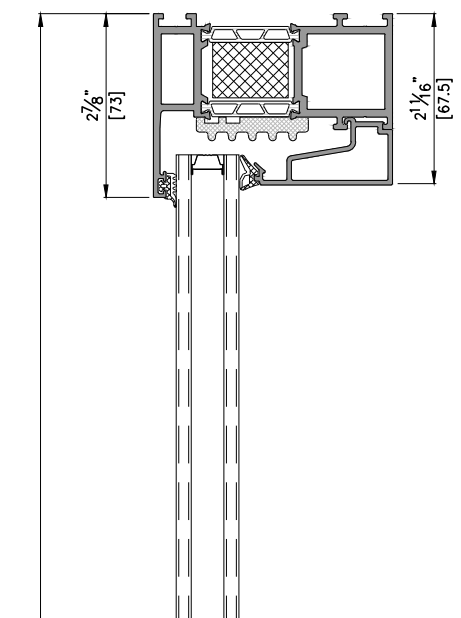


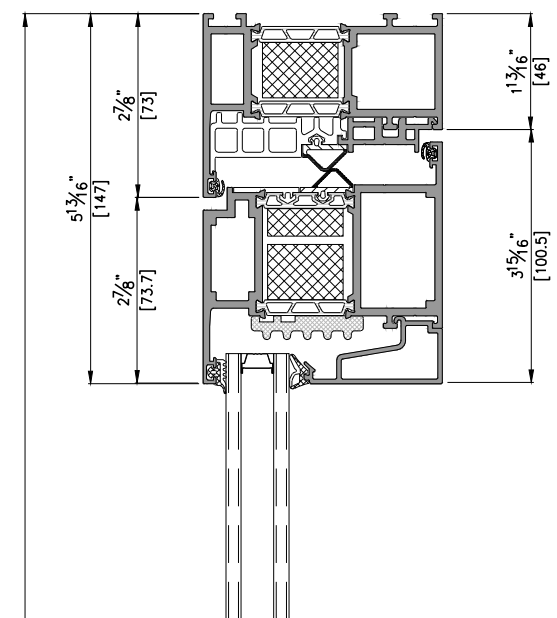
**ELEVATION**  
SCALE: 1/30



**HORIZONTAL SECTION DETAIL A-A'**  
SCALE: 1/3



**VERTICAL SECTION DETAIL B-B'**  
SCALE: 1/3



**VERTICAL SECTION DETAIL C-C'**  
SCALE: 1/3

NOTE  
OX TYPE

- General Notes
- Elevations are shown from exterior unless otherwise noted
  - Anchor/wall fastener - Location, spacing and quantity to be determined per design pressure requirements by structural engineer and/or certified test drawings

△			
△			
△			
△			
△			
0			
REV.	2021.00.00.	DESCRIPTION	
	v.3		

PROJECT

ITEM NO.

PRODUCT NAME  
EDS95 IW W/S WITH SILL

QTY  
1

VIEW  
EXTERIOR

SCALE

DRAWING NO. ISSUE