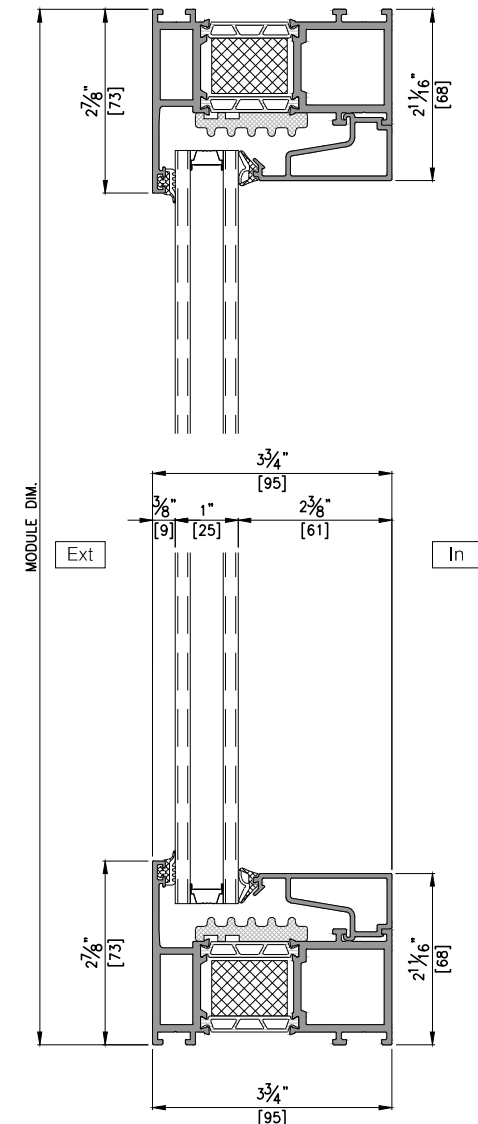
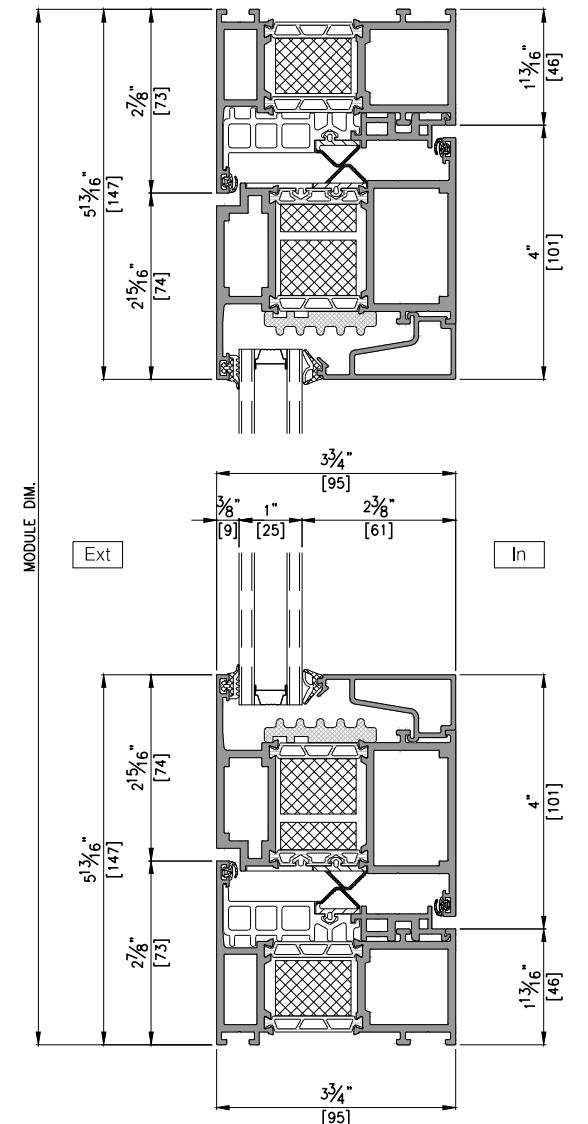


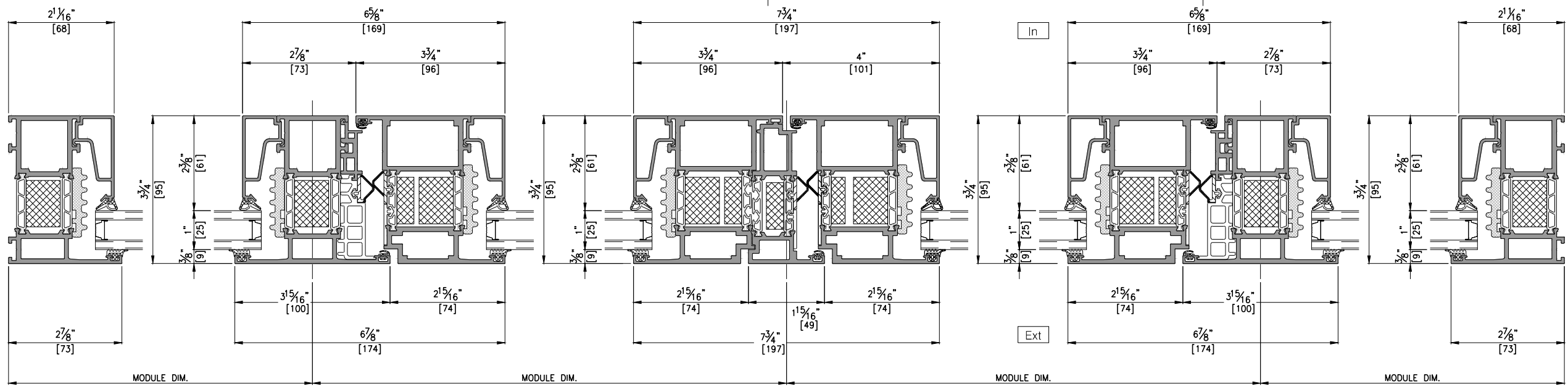
ELEVATION
SCALE: 1/30



VERTICAL SECTION DETAIL B-B'
SCALE: 1/3



VERTICAL SECTION DETAIL C-C'
SCALE: 1/3



HORIZONTAL SECTION DETAIL A-A'
SCALE: 1/3

NOTE
OXXO TYPE

- General Notes
- Elevations are shown from exterior unless otherwise noted
 - Anchor/wall fastener – Location, spacing and quantity to be determined per design pressure requirements by structural engineer and/or certified test drawings

△			
△			
△			
△			
△			
△			
0	2021.00.00.		
REV.	DESCRIPTION		
v3			

PROJECT	-		
ITEM NO.	-		
PRODUCT NAME	EDS95 IW W/S WITH SILL		
QTY	1		
VIEW	EXTERIOR		
SCALE	-		
DRAWING NO.		ISSUE	