

NOTE  
X TYPE

- General Notes
- Elevations are shown from exterior unless otherwise noted
  - Anchor/wall fastener - Location, spacing and quantity to be determined per design pressure requirements by structural engineer and/or certified test drawings

△			
△			
△			
△			
△			
0			
	2021. 00. 00.		
REV.		DESCRIPTION	
	v.3		

PROJECT  
-

ITEM NO.  
-

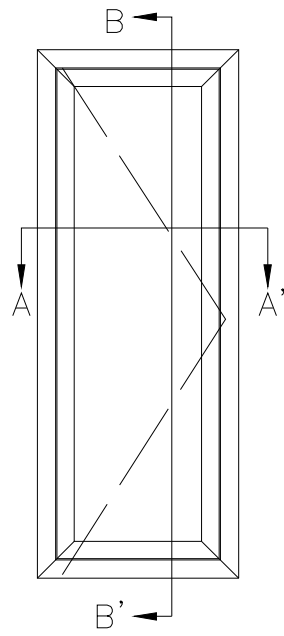
PRODUCT NAME  
EDS95 IW W/S  
WITH SILL

QTY  
1

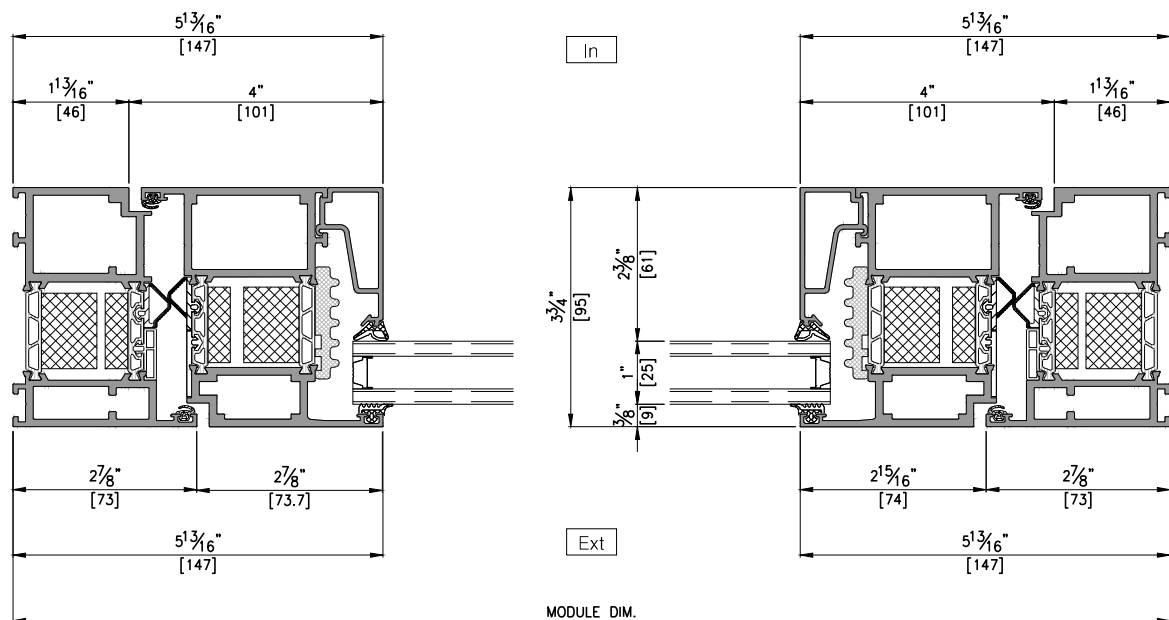
VIEW  
EXTERIOR

SCALE  
-

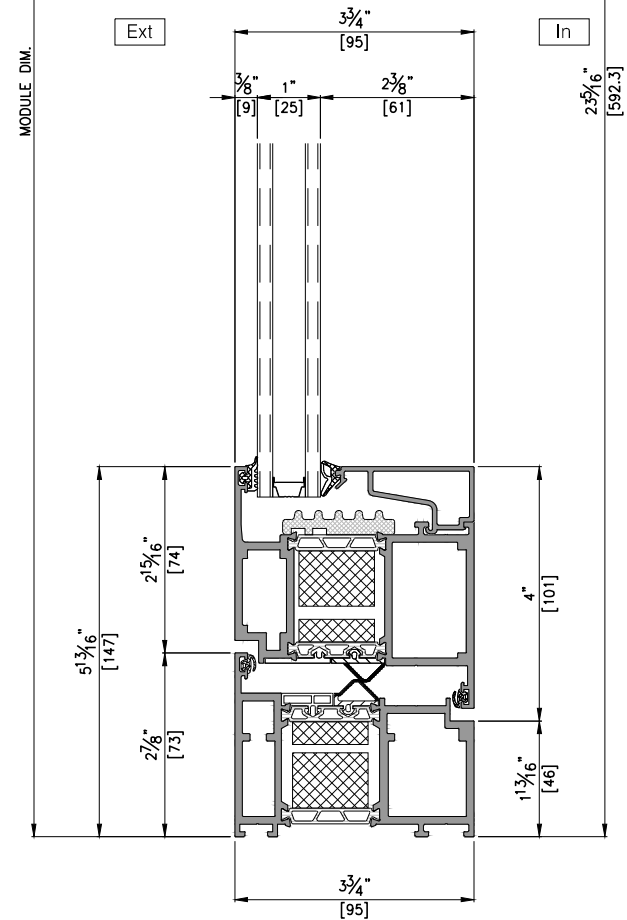
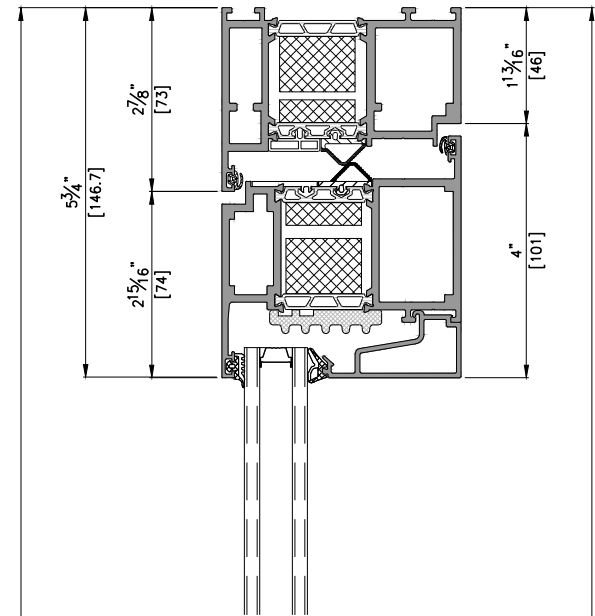
DRAWING NO. ISSUE



ELEVATION  
SCALE: 1/30



HORIZONTAL SECTION DETAIL A-A'  
SCALE: 1/3



VERTICAL SECTION DETAIL B-B'  
SCALE: 1/3