

NOTE  
XX TYPE

- General Notes
- Elevations are shown from exterior unless otherwise noted
  - Anchor/wall fastener  
– Location, spacing and quantity to be determined per design pressure requirements by structural engineer and/or certified test drawings

	2021. 00. 00.
REV.	DESCRIPTION
v.3	

PROJECT —

ITEM NO. —

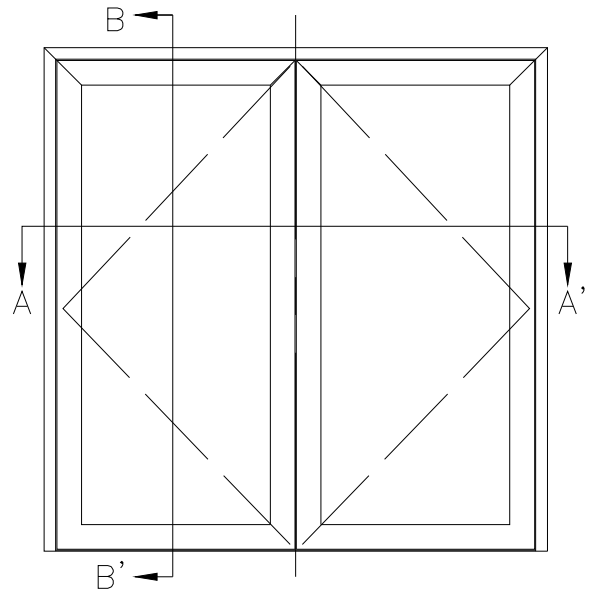
PRODUCT NAME  
EDS95 OW  
NO SILL

QTY  
1

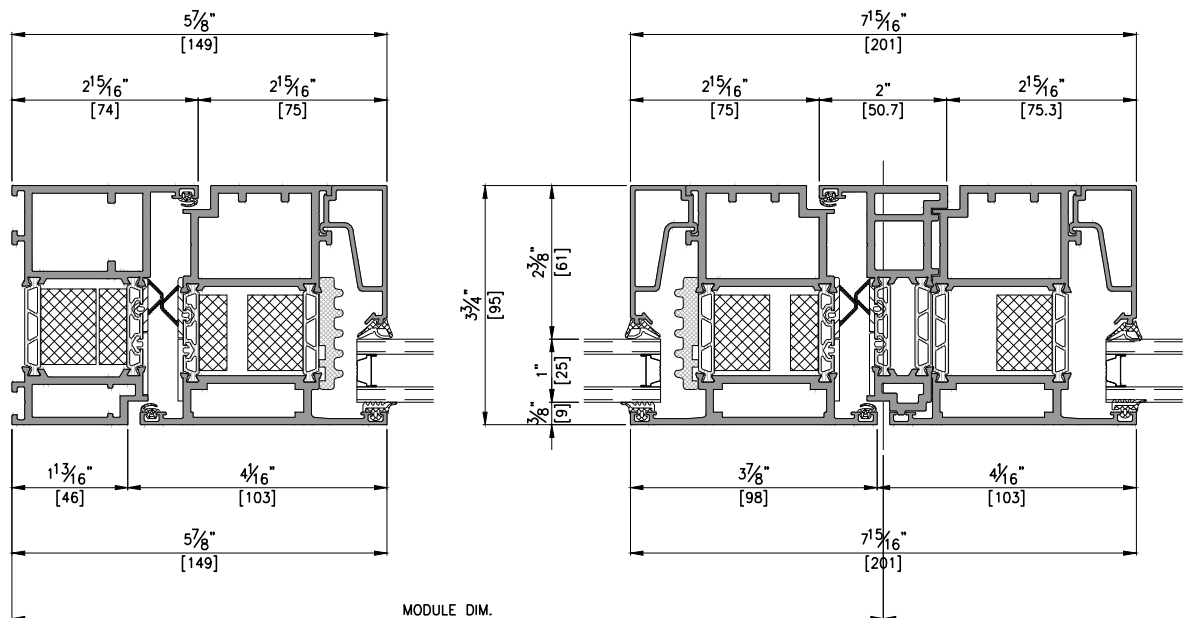
VIEW  
EXTERIOR

S C A L E  
—

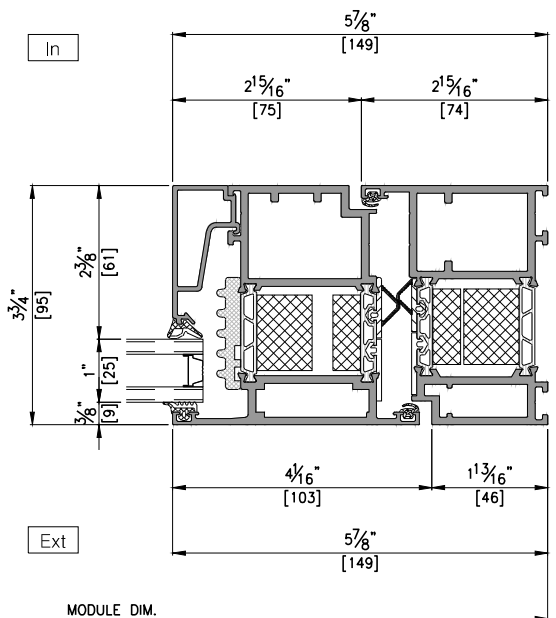
DRAWING NO. ISSUE



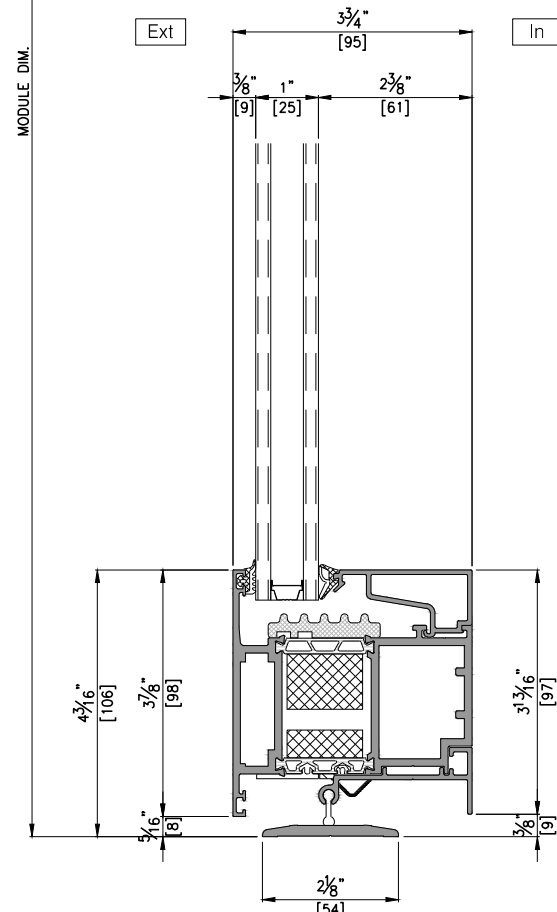
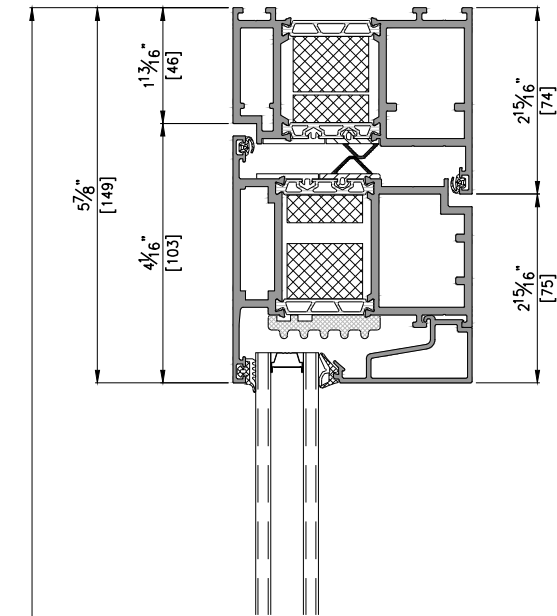
 **ELEVATION**  
SCALE: 1/30



 **HORIZONTAL SECTION DETAIL A-A'**  
SCALE: 1/3



MODULE DIM.



 **VERTICAL SECTION DETAIL B-B'**  
SCALE: 1/3

