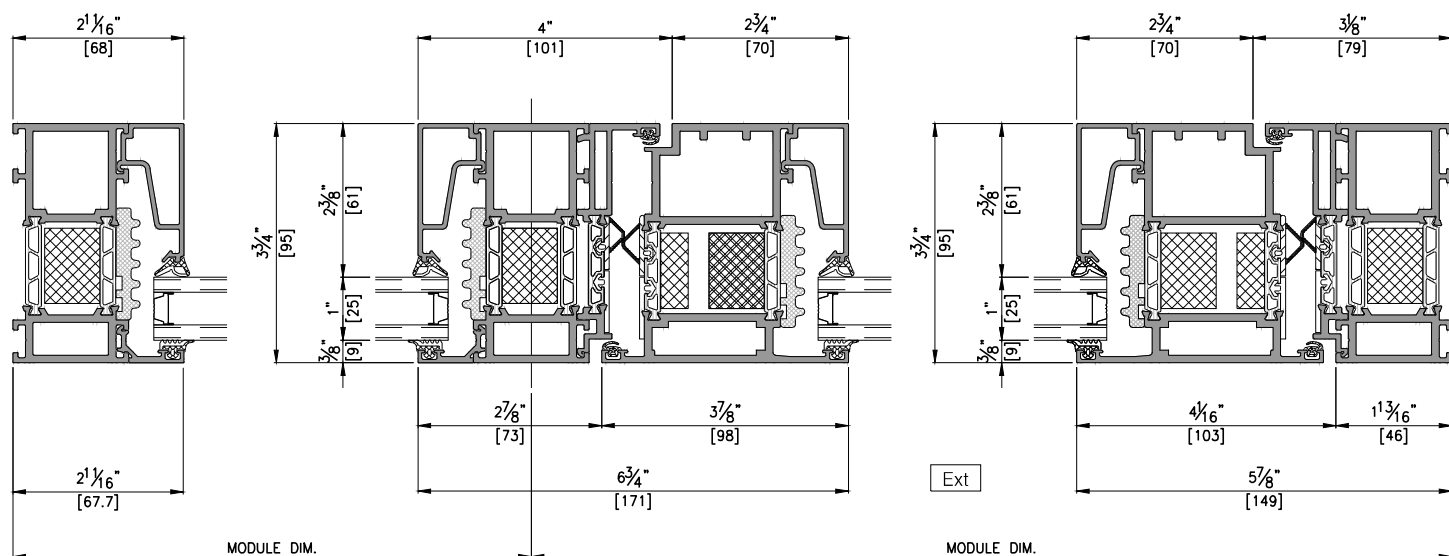
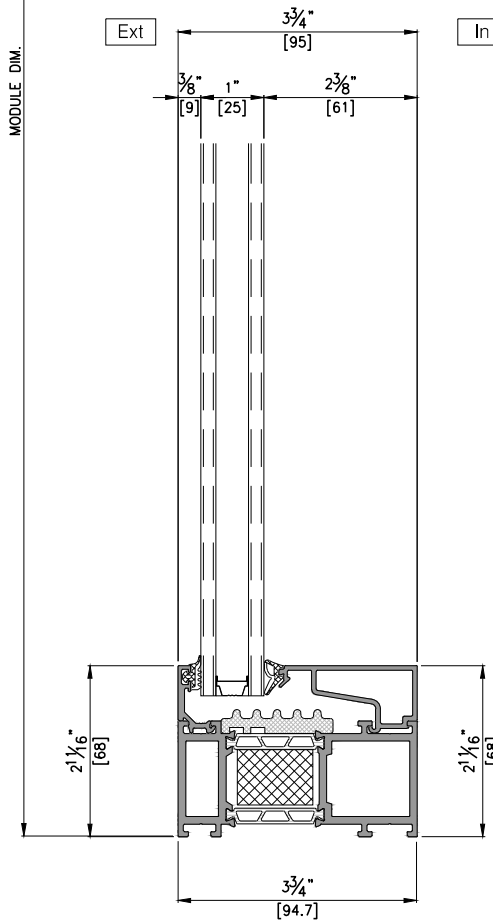
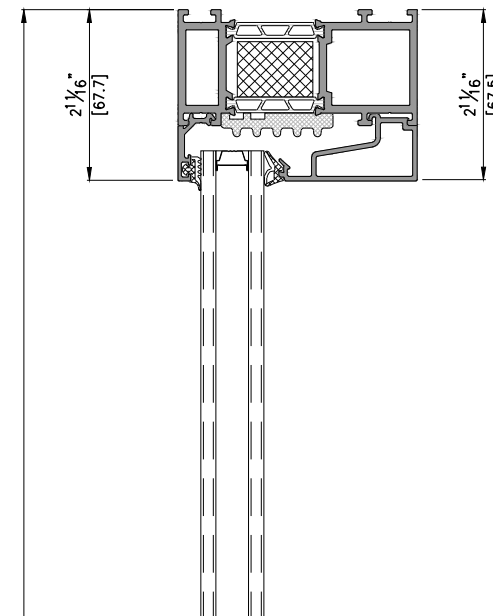


ELEVATION
SCALE: 1/30



HORIZONTAL SECTION DETAIL A-A'
SCALE: 1/3



VERTICAL SECTION DETAIL B-B'
SCALE: 1/3

VERTICAL SECTION DETAIL C-C'
SCALE: 1/3

NOTE
OX TYPE

- General Notes
- Elevations are shown from exterior unless otherwise noted
 - Anchor/wall fastener - Location, spacing and quantity to be determined per design pressure requirements by structural engineer and/or certified test drawings

	2021. 00. 00.		
REV.	DESCRIPTION		
v.3			

PROJECT: _____

ITEM NO.: _____

PRODUCT NAME: _____

EDS95 OW N/S ATTACH

QTY: 1

VIEW: EXTERIOR

SCALE: _____

DRAWING NO.: _____ ISSUE: _____