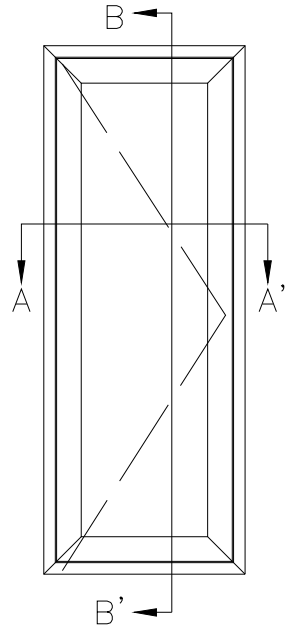


NOTE
X TYPE

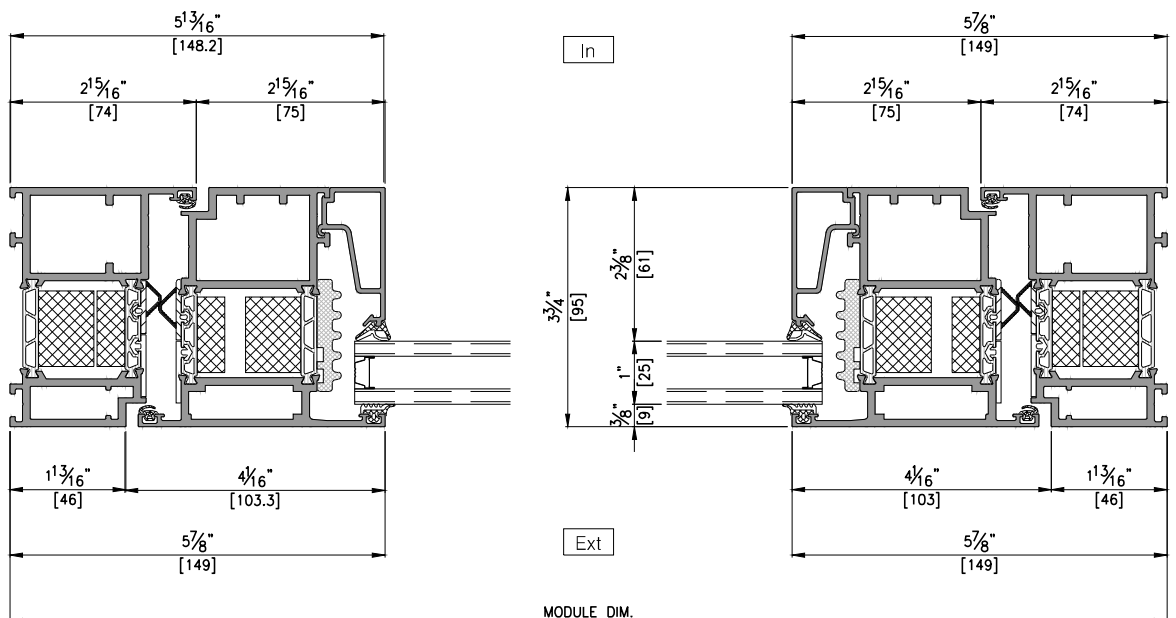
- General Notes
- Elevations are shown from exterior unless otherwise noted
 - Anchor/wall fastener – Location, spacing and quantity to be determined per design pressure requirements by structural engineer and/or certified test drawings

△			
△			
△			
△			
△			
0			
	2021. 00. 00.		
REV.	DESCRIPTION		
v.3			

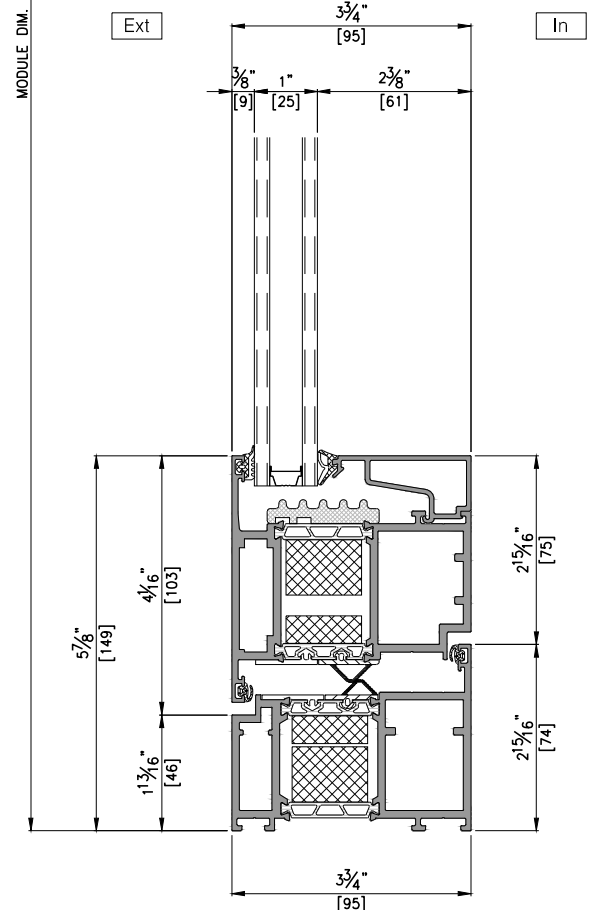
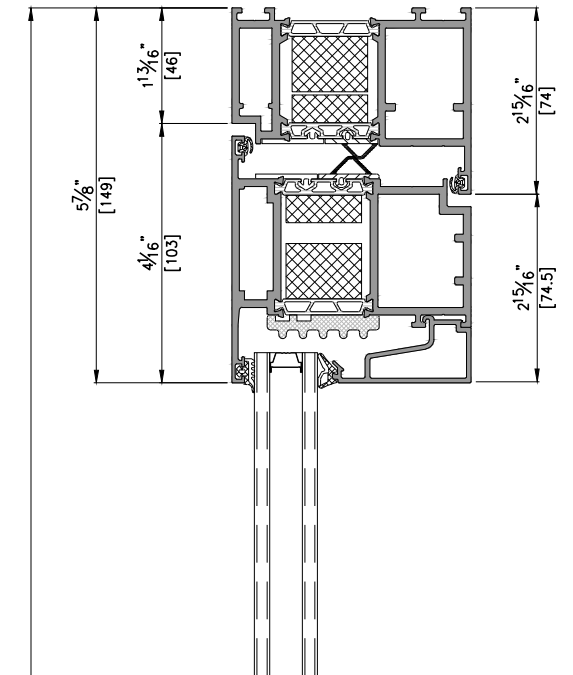
PROJECT		-	
ITEM NO.		-	
PRODUCT NAME		EDS95 OW W/S WITH SILL	
QTY	1		
VIEW		EXTERIOR	
SCALE		-	
DRAWING NO.		ISSUE	



ELEVATION
SCALE : 1/30



HORIZONTAL SECTION DETAIL A-A'
SCALE : 1/3



VERTICAL SECTION DETAIL B-B'
SCALE : 1/3