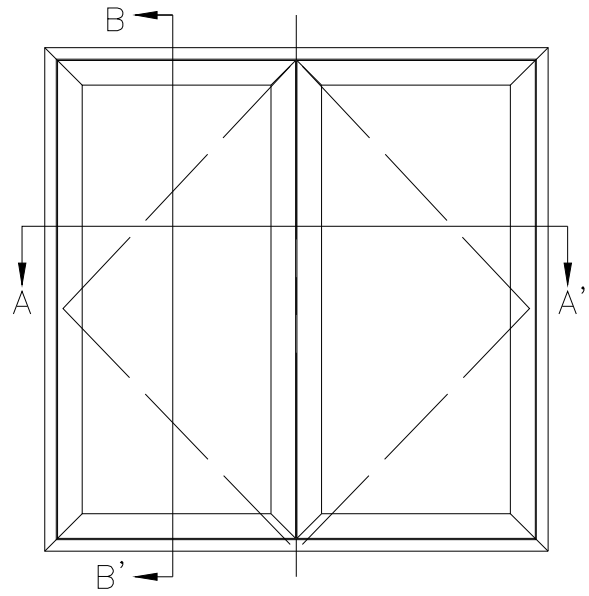


NOTE
XX TYPE

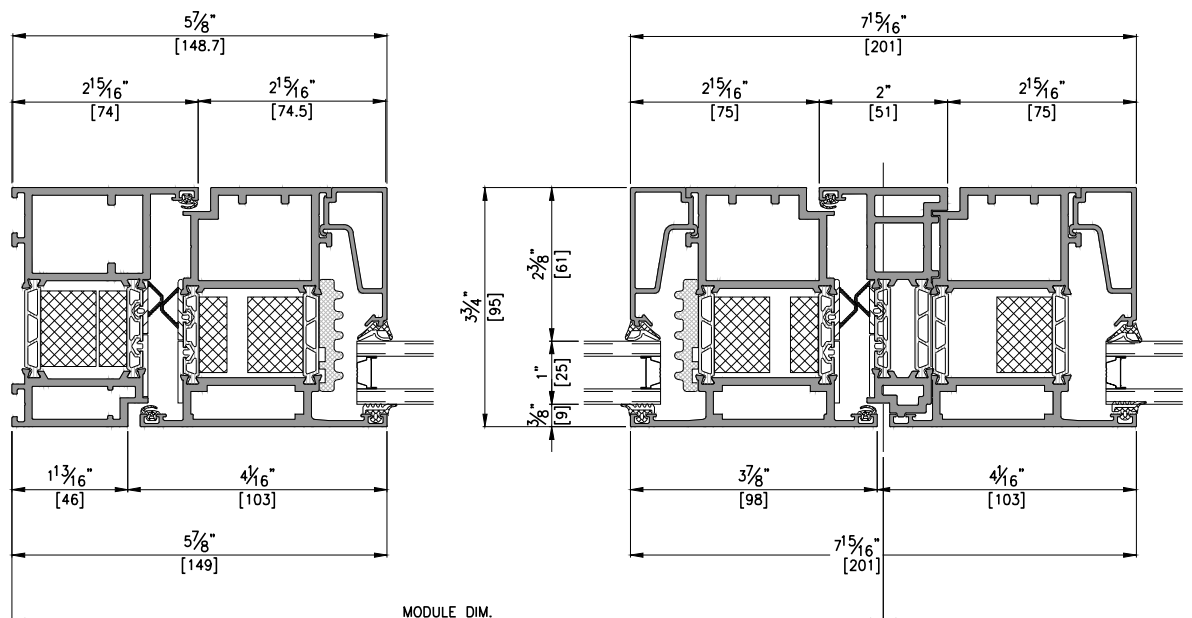
- General Notes
1. Elevations are shown from exterior unless otherwise noted
 2. Anchor/wall fastener - Location, spacing and quantity to be determined per design pressure requirements by structural engineer and/or certified test drawings

△			
△			
△			
△			
△			
○			
REV.	2021. 00. 00.	DESCRIPTION	
	v.3		

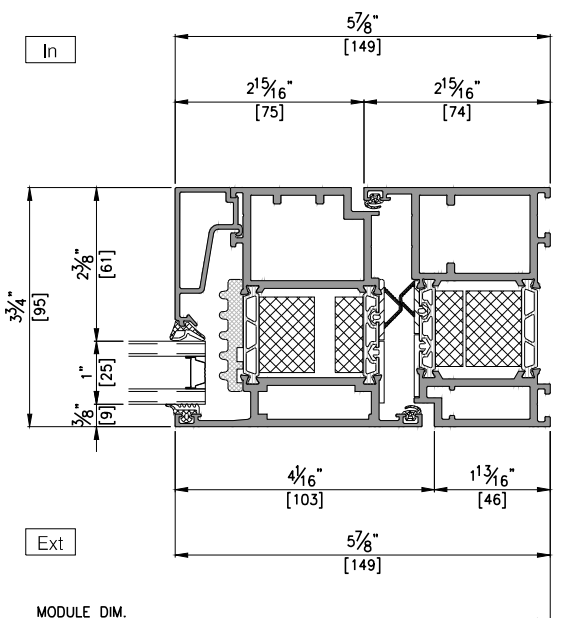
PROJECT		-	
ITEM NO.		-	
PRODUCT NAME		EDS95 OW W/S WITH SILL	
QTY	1		
VIEW	EXTERIOR		
SCALE			
-			
DRAWING NO.	ISSUE		



1
ELEVATION
SCALE: 1/30



1
HORIZONTAL SECTION DETAIL A-A'
SCALE: 1/3



1
VERTICAL SECTION DETAIL B-B'
SCALE: 1/3

