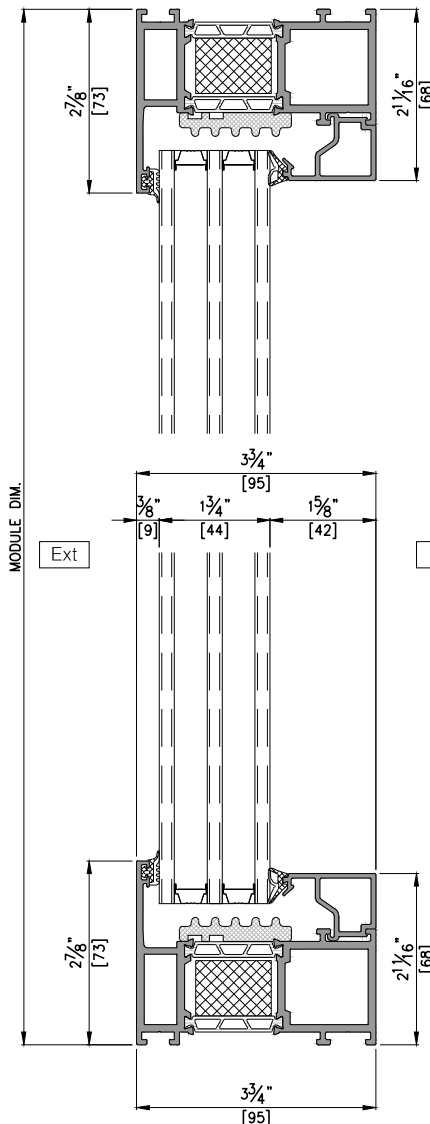
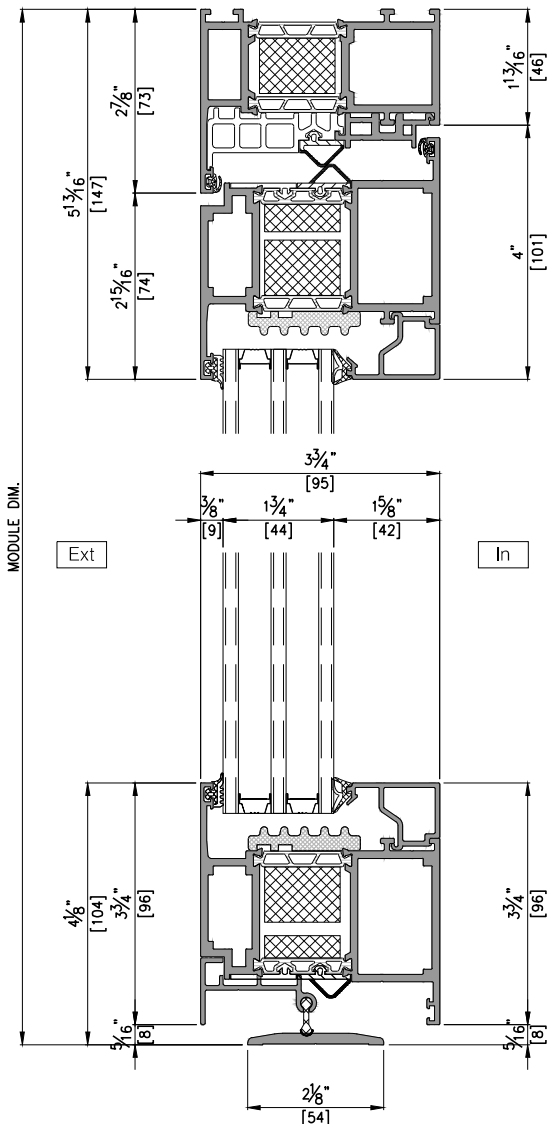


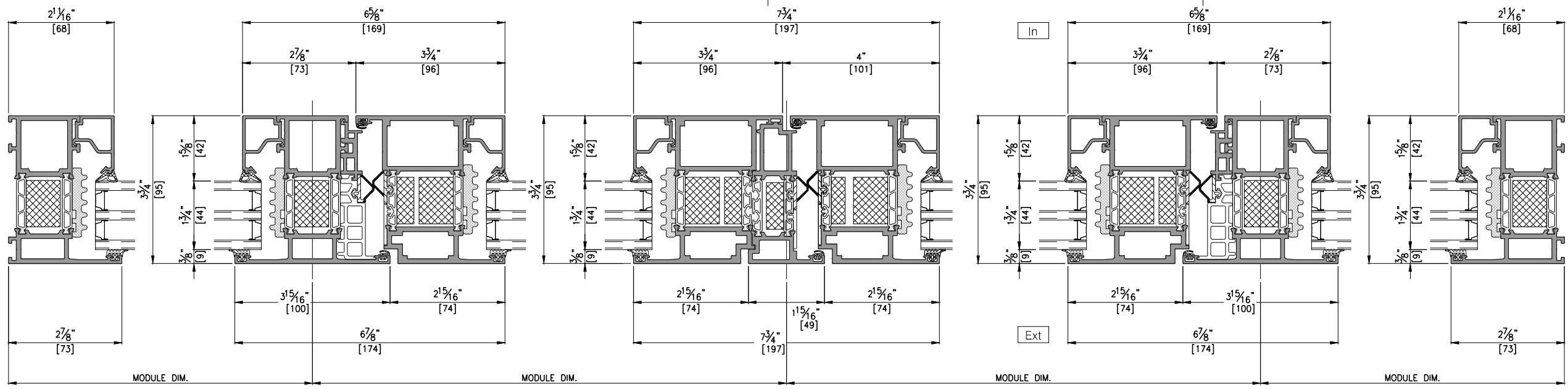
ELEVATION
SCALE: 1/30



VERTICAL SECTION DETAIL B-B'
SCALE: 1/3



VERTICAL SECTION DETAIL C-C'
SCALE: 1/3



HORIZONTAL SECTION DETAIL A-A'
SCALE: 1/3

NOTE
OXXO TYPE
44mm

- General Notes
1. Elevations are shown from exterior unless otherwise noted
 2. Anchor/wall fastener - Location, spacing and quantity to be determined per design pressure requirements by structural engineer and/or certified test drawings

△		
△		
△		
△		
△		
△		
0		
	2021. 00. 00.	
REV.	v3	DESCRIPTION

PROJECT	
ITEM NO.	
PRODUCT NAME	EDS95 IW NO SILL
QTY	1
VIEW	EXTERIOR
SCALE	
DRAWING NO.	
ISSUE	