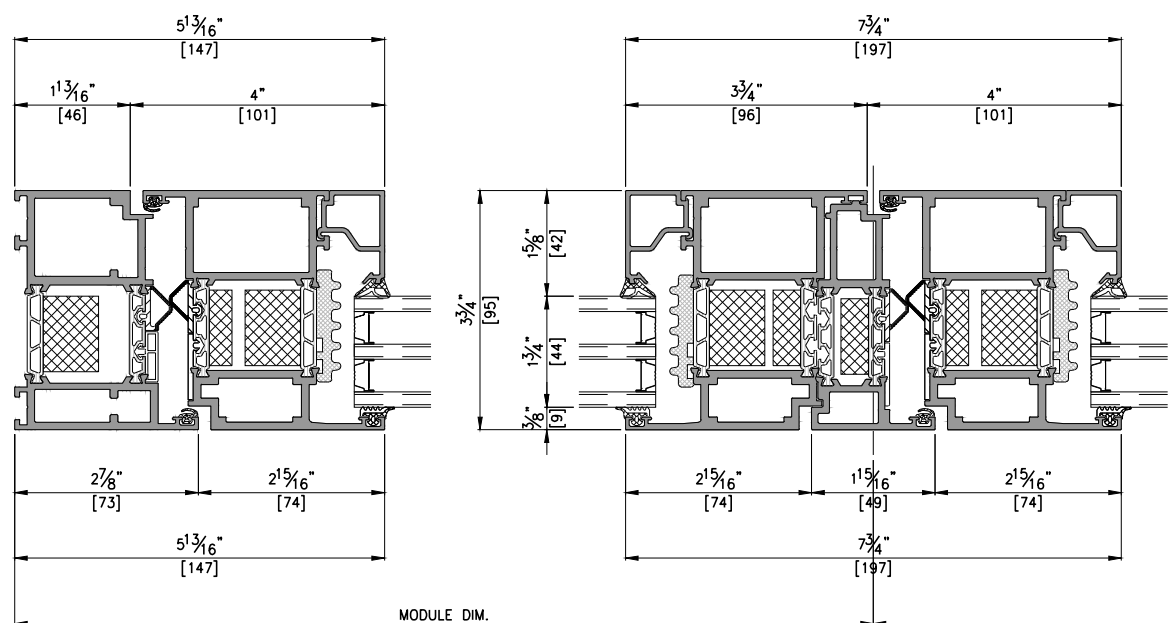
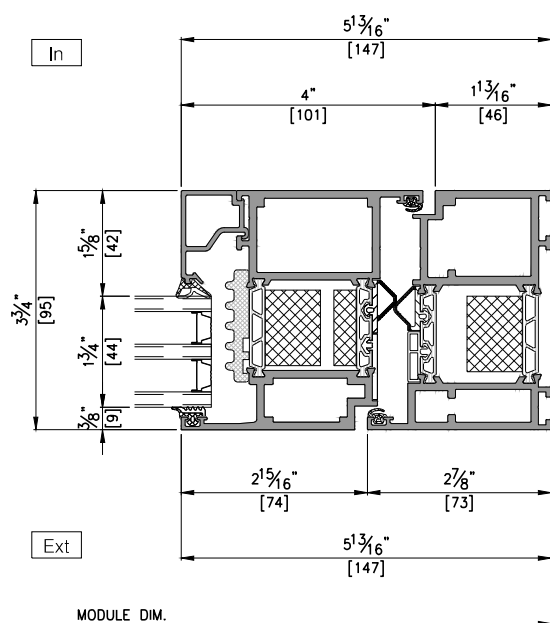


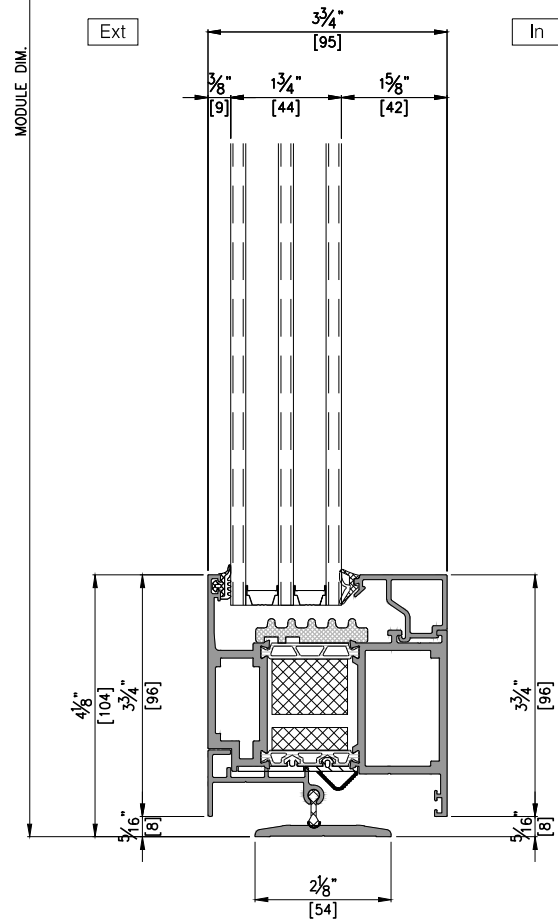
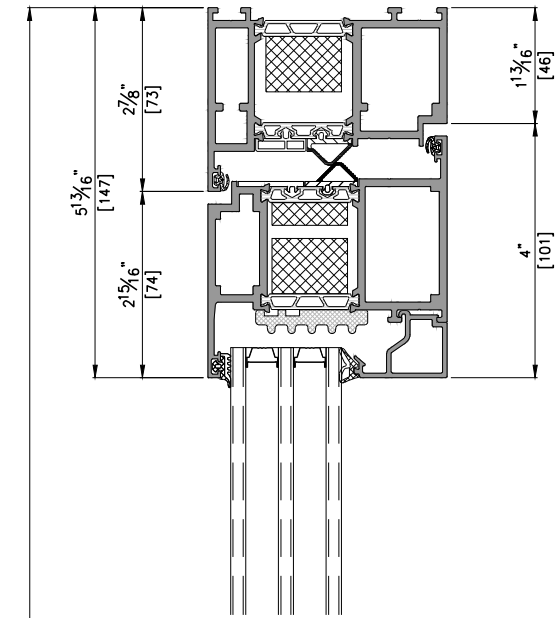
**ELEVATION**  
SCALE: 1/30



**HORIZONTAL SECTION DETAIL A-A'**  
SCALE: 1/3



**VERTICAL SECTION DETAIL B-B'**  
SCALE: 1/3



NOTE  
XX TYPE  
44mm

- General Notes
- Elevations are shown from exterior unless otherwise noted
  - Anchor/wall fastener - Location, spacing and quantity to be determined per design pressure requirements by structural engineer and/or certified test drawings

2021. 00. 00.	
REV.	DESCRIPTION
v.3	
PROJECT	
ITEM NO.	
PRODUCT NAME	
EDS95 IW NO SILL	
QTY	1
VIEW	EXTERIOR
SCALE	
DRAWING NO.	ISSUE