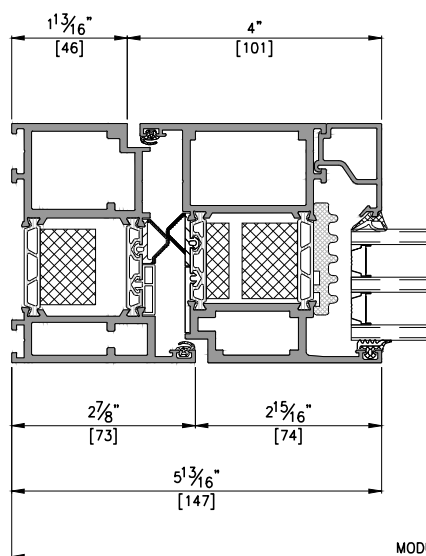
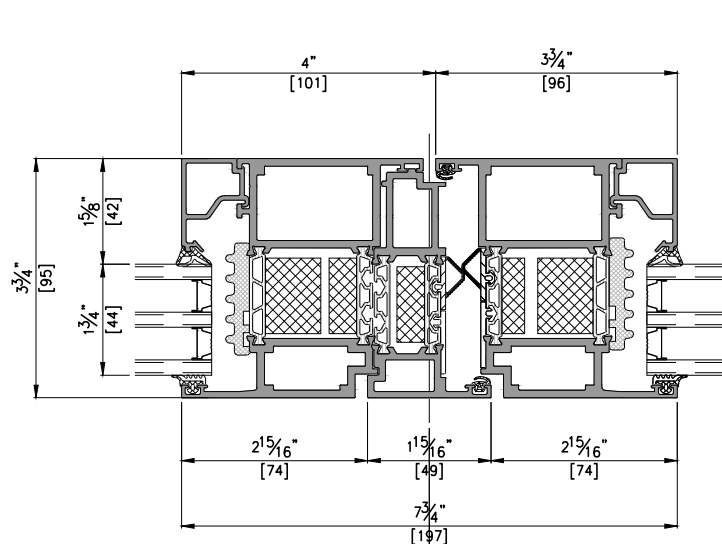


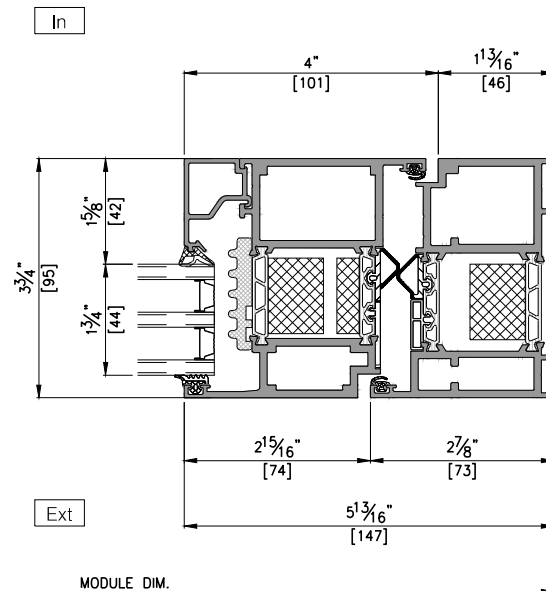
**ELEVATION**  
SCALE : 1/30



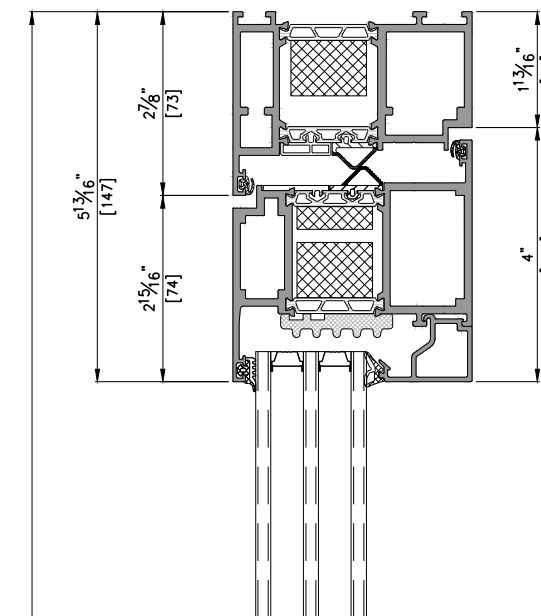
MODULE DIM.



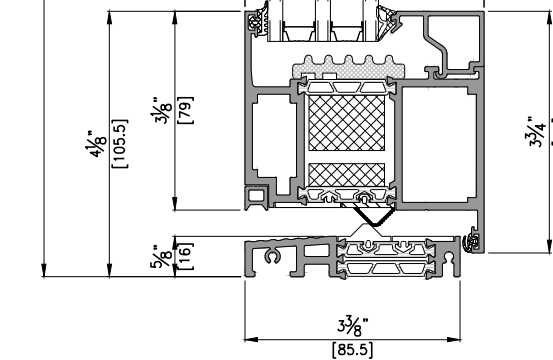
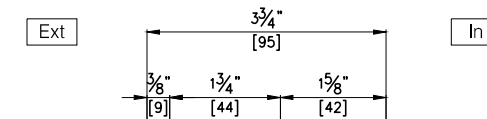
**HORIZONTAL SECTION DETAIL A-A'**  
SCALE : 1/3



MODULE DIM.



MODULE DIM.



**VERTICAL SECTION DETAIL B-B'**  
SCALE : 1/3

NOTE  
XX TYPE  
44mm

**General Notes**

1. Elevations are shown from exterior unless otherwise noted
2. Anchor/wall fastener - Location, spacing and quantity to be determined per design pressure requirements by structural engineer and/or certified test drawings

	2021. 00. 00.		
REV.	DESCRIPTION		
v.3			

PROJECT	-		
ITEM NO.	-		
PRODUCT NAME	EDS95 IW N/S ATTACH		
QTY	1		
VIEW	EXTERIOR		
SCALE	-		
DRAWING NO.		ISSUE	