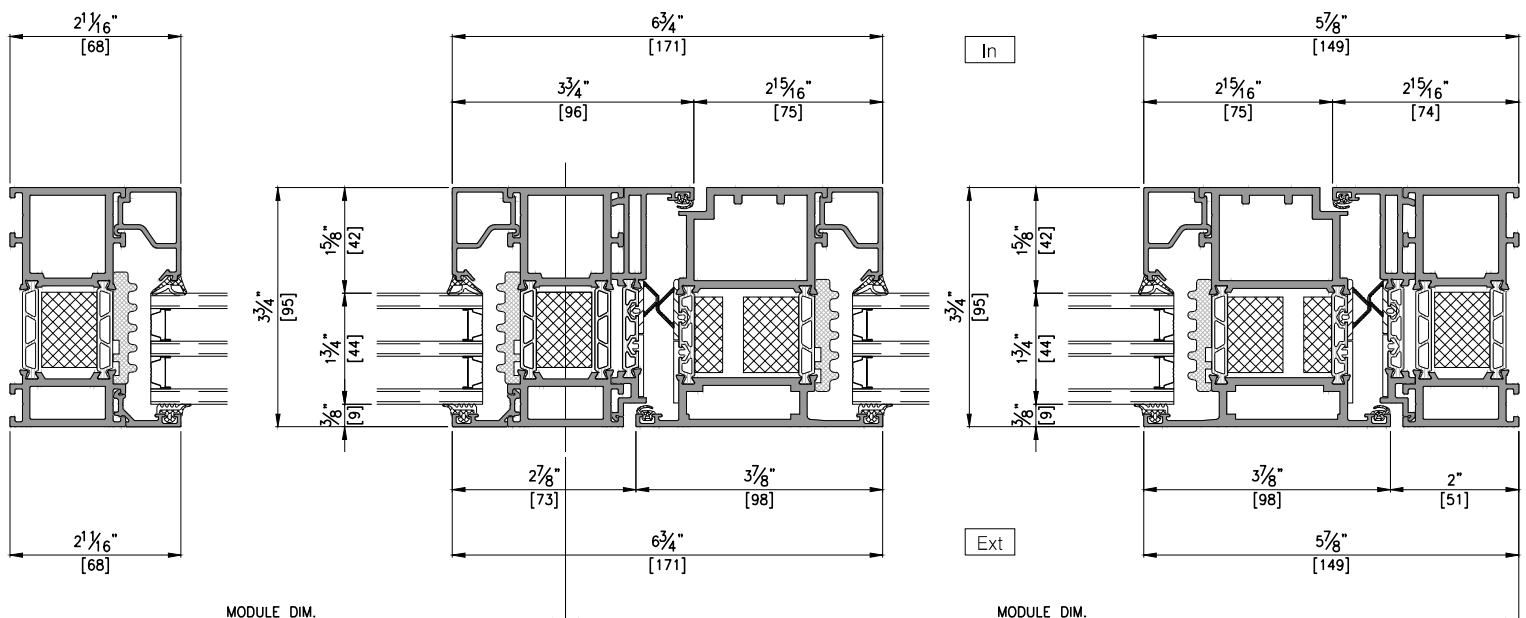
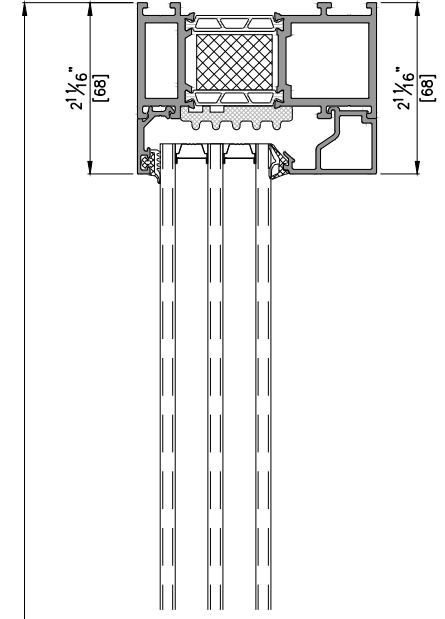


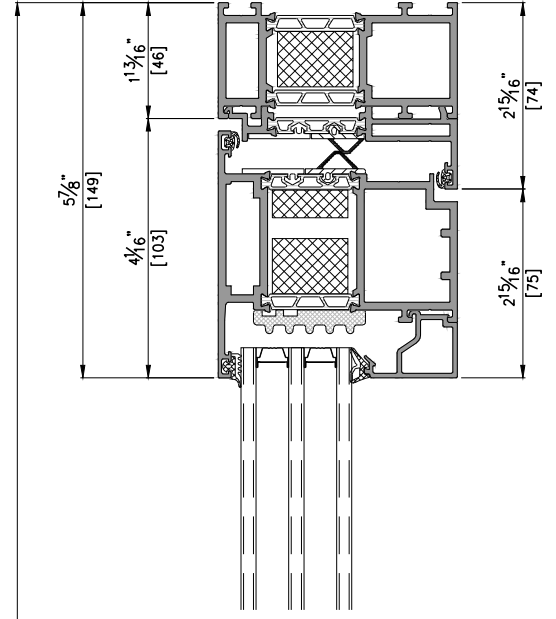
ELEVATION
SCALE: 1/30



HORIZONTAL SECTION DETAIL A-A'
SCALE: 1/3



VERTICAL SECTION DETAIL B-B'
SCALE: 1/3



VERTICAL SECTION DETAIL C-C'
SCALE: 1/3

NOTE
OX TYPE
44mm

- General Notes
1. Elevations are shown from exterior unless otherwise noted
 2. Anchor/wall fastener - Location, spacing and quantity to be determined per design pressure requirements by structural engineer and/or certified test drawings

2021. 00. 00.	
REV.	DESCRIPTION
v.3	

PROJECT		
ITEM NO.		
PRODUCT NAME		EDS95 OW NO SILL
QTY		1
VIEW		EXTERIOR
SCALE		
DRAWING NO.		ISSUE