

NOTE

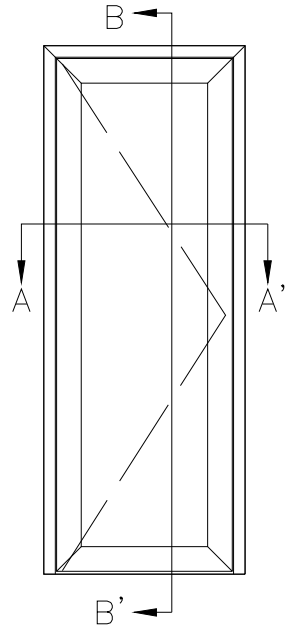
X TYPE
44mm

General Notes

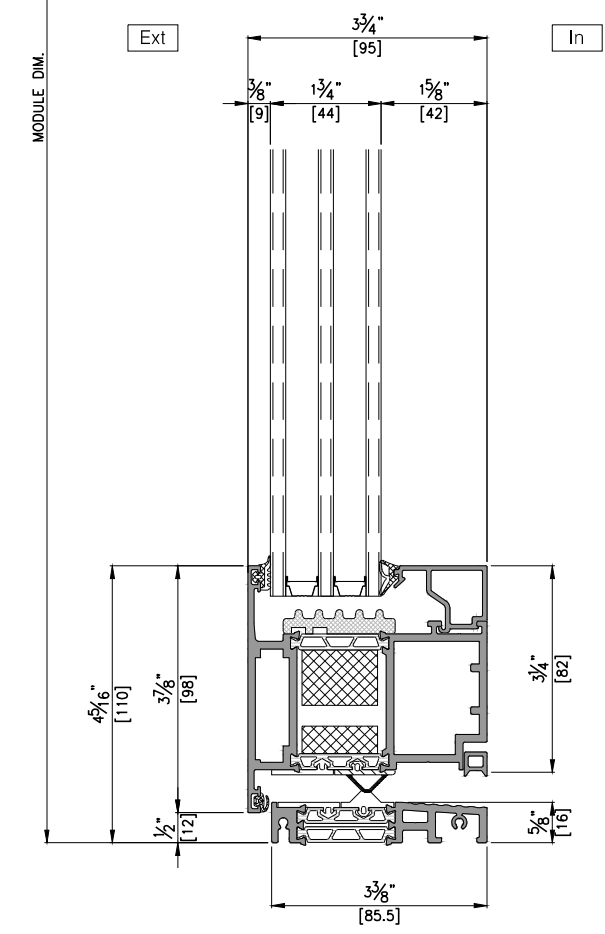
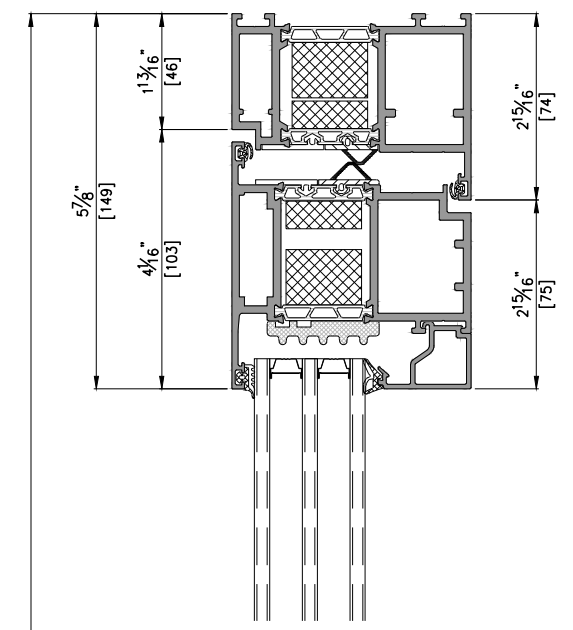
1. Elevations are shown from exterior unless otherwise noted
2. Anchor/wall fastener - Location, spacing and quantity to be determined per design pressure requirements by structural engineer and/or certified test drawings

△			
△			
△			
△			
△			
0			
	2021. 00. 00.		
REV.		DESCRIPTION	
	v.3		

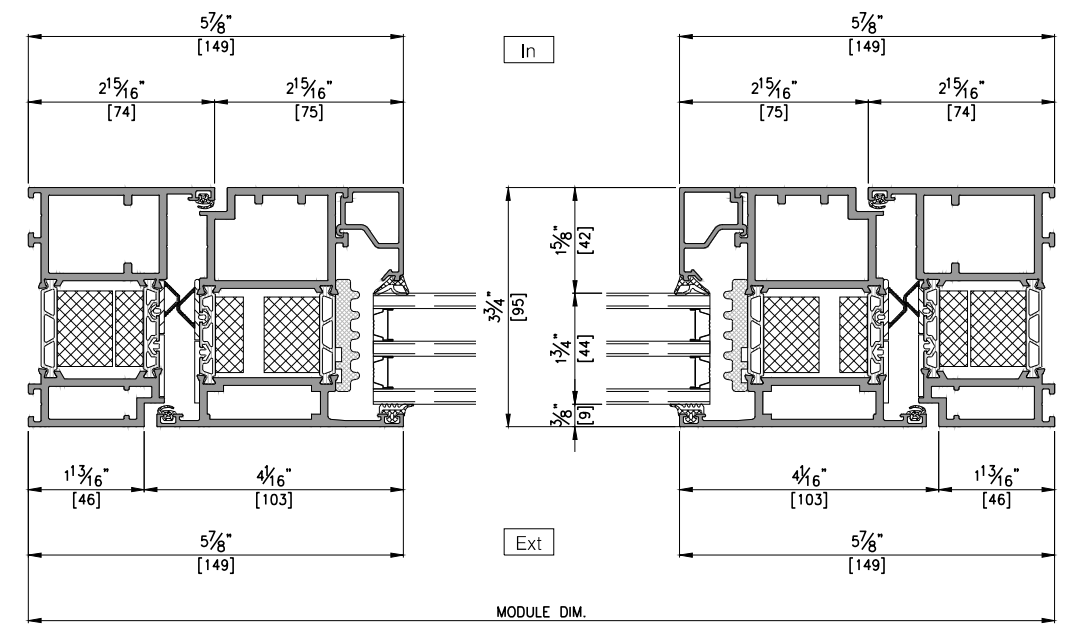
PROJECT		-
ITEM NO.		-
PRODUCT NAME		EDS95 OW N/S ATTACH
QTY	1	
VIEW		EXTERIOR
SCALE		-
DRAWING NO.		ISSUE



ELEVATION
SCALE : 1/30



VERTICAL SECTION DETAIL B-B'
SCALE : 1/3



HORIZONTAL SECTION DETAIL A-A'
SCALE : 1/3